

**CHICAGO FAUCETS**  
a Geberit company

2100 South Clearwater Drive  
Des Plaines, IL 60018  
Phone: 847-803-5000  
Fax: 847-803-5454  
www.chicagofaucets.com

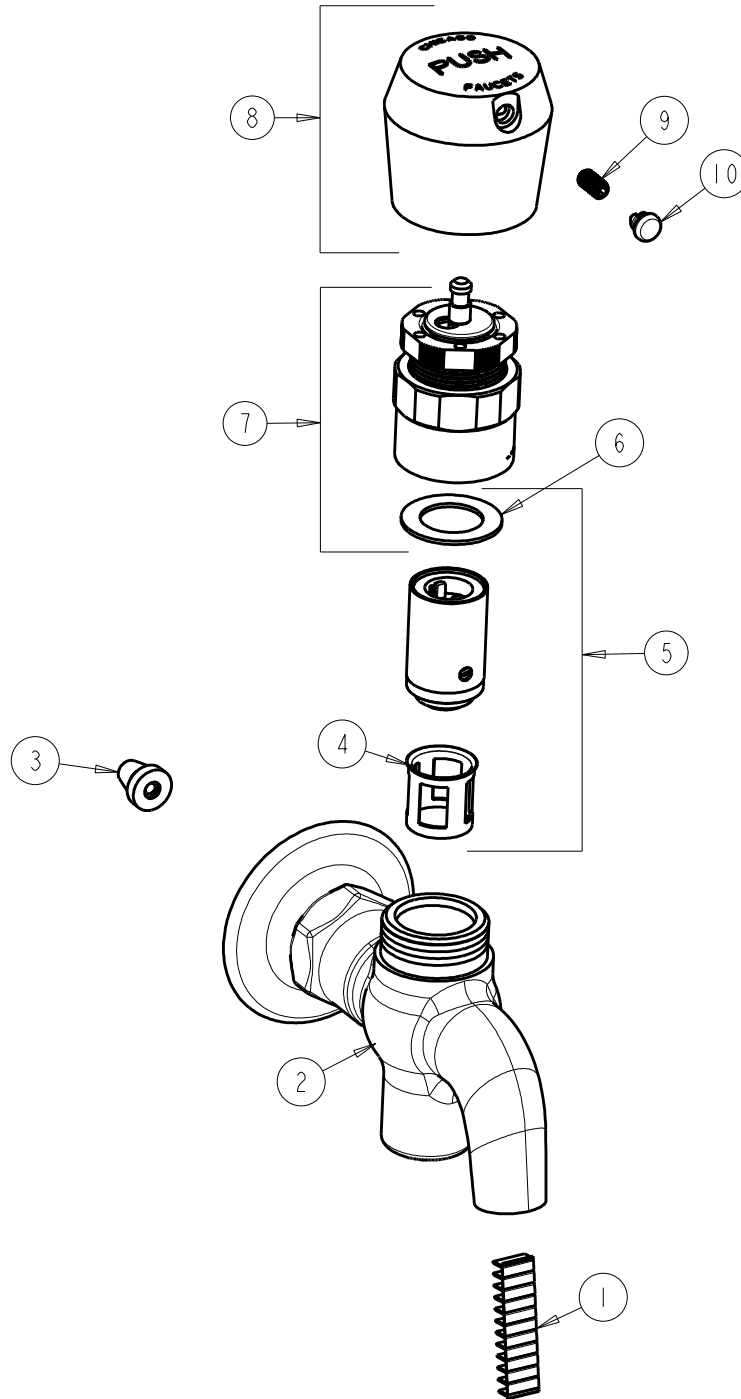
**REPAIR PARTS**

BY: JAR DATE: 10-19-11  
CHK: *[Signature]* REV:

FITTING NO.  
**324-665PSHABCP**  
SUBMITTED MODEL NO.

ITEM NO.

**FOR TECHNICAL ASSISTANCE**  
1-800-TEC-TRUE (1-800-832-8783)



ITEM	PART NO.	DESCRIPTION	ITEM	PART NO.	DESCRIPTION
1	1-171NJKRBF	ANTI-SPLASH SPRING	6	665-011JKNF	WASHER, SEALING
2	—	BODY (NOT SOLD SEPARATELY)	7	665-190KJKNF	ACTUATOR ASSEMBLY
3	313-042KJKNF	FLOW CONTROL ASSEMBLY	8	665-PSHJKCP	HANDLE, PUSH CAP
4	667-402JKNF	MVP FILTER	9	665-116JKNF	SET SCREW
5	671-XJKNF	METERING VALVE CARTRIDGE	10	665-209JKNF	BUTTON NEUTRAL