



| MODEL                                 | DESCRIPTION   | FINISH                           | PART #           | LIST PRICE |
|---------------------------------------|---|----------------------------------|------------------|------------|
| <b>DISTINCTIVE SERIES<br/>LVH1200</b> | EverHot Lead Free Hot/Cold Water Dispenser  | <b>FAUCET &amp; EVERHOT TANK</b> |                  |            |
|                                       | Shipping Wt: 12 lbs. / 5 lbs. (faucet only)   | CHROME                           | WI-LVH1200HC-CH  | \$770.95   |
| <b>HOT/COLD</b>                       | Includes faucet, EverHot tank, 3' cord & tubing.  | SATIN NICKEL- <b>PVD</b>         | WI-LVH1200HC-SN  | \$793.95   |
|                                       | Distinctive series • <b>spring activated shut-off for filling pitchers and pots</b> • does not swivel | CUSTOM*                          | WI-LVH1200HC-___ | \$881.95   |
|                                       | Tested to NSF/ANSI Standard 61 and California Proposition 65.   | <b>FAUCET ONLY</b>               |                  |            |
|                                       | Chiller sold separately (see EverCold, page 92).  | CHROME                           | WI-FA1200HC-CH   | \$449.95   |
|                                       |   | SATIN NICKEL- <b>PVD</b>         | WI-FA1200HC-SN   | \$472.95   |
|                                       |   | CUSTOM*                          | WI-FA1200HC-___  | \$557.95   |

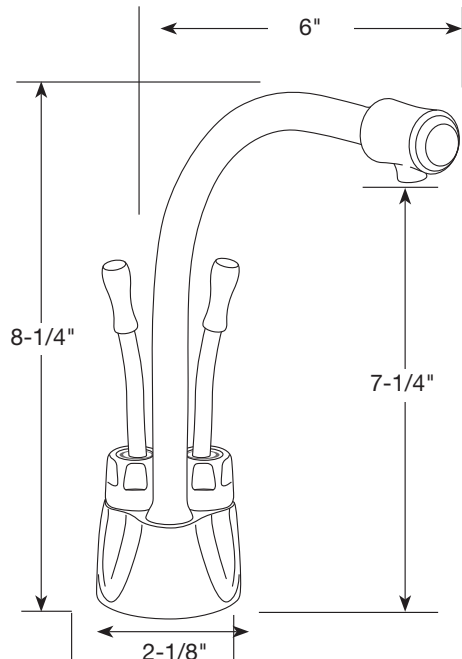
\*CUSTOM = any sigma finish except precious metal (silver & gold)  
SEE CUSTOM FINISH INFO ON PAGE 89 FOR EXAMPLES.  
Allow 8 to 10 weeks for delivery.

**A separate air gap is available for reverse osmosis on this model. See pages 96-97.**

**UPGRADE SYSTEM TO A STAINLESS STEEL TANK FOR \$100**  
add **-SS** to end of part number  
(see pg. 90 for tank specs)



**Dimensions:**  
Height: 8-1/4"  
Reach: 6"  
Spout Diameter: 1/2"  
Hole Size Required: 1-1/4"



**NO-LEAD COMPLIANT**  
Meets National Lead Laws including NSF 372 - 2011 Drinking Water System Components - Lead Content and S.3874, Reduction of Lead in Drinking Water Act, CAAB 1953 and VT Act 193.

The Everhot mark is used under license from Bradford White Corp.

**MAXIMUM recommended line pressure for this product is 75 PSI.** Pressure above 75 PSI indicates the absence of a properly functioning water pressure regulator at the property. Excessive water pressure poses a risk of property damage to you. Problems due to excessive water pressure are NOT covered by this product's warranty. **BEFORE** installation of any Water, Inc. product, **confirm that water supply pressure does not exceed 75 PSI.** Questions? Contact Water, Inc. Service Dept. at 800.322.WATER(9283)

Installations must comply with appropriate plumbing codes. Do not use vinyl tubing to connect any Water, Inc. Product to a water source. Polyethylene tubing is recommended for cold water applications.