

Part Number:  
 CPFILTRK007A00, CPFILTRK008A00 & CPFILTRK009A00

## Installation Instructions

### **⚠ WARNING**

#### **ELECTRICAL SHOCK HAZARD**

Failure to follow this warning could cause personal injury or death.

Electrical shock can cause injury or death.

Disconnect power supply and install lockout tag before attempting to install accessory.

### SAFETY CONSIDERATIONS

Installation and servicing of this equipment can be hazardous due to mechanical and electrical components. Only trained and qualified personnel should install, repair, or service this equipment.

Untrained personnel can perform basic maintenance functions such as cleaning and replacing air filters. All other operations must be performed by trained service personnel. When working on this equipment, observe precautions in the literature, on tags, and labels attached to or shipped with the unit and other safety precautions that may apply.

Follow all safety codes. Installation must be in compliance with local and national building codes. Wear safety glasses, protective clothing, and work gloves. Have fire extinguisher available.

Read these instructions thoroughly and follow all warnings or cautions included in literature and attached to the unit.

Recognize safety information. This is the safety alert symbol **⚠**. When you see this symbol on the unit and in instructions or manuals, be alert to the potential for personal injury. Understand these signal words: DANGER, WARNING, and CAUTION. These words are used with the safety alert symbol. DANGER identifies the most serious hazards which will result in severe personal injury or death. WARNING signifies hazards which could result in personal injury or death. CAUTION is used to identify unsafe practices which may result in minor personal injury or product and property damage. NOTE is used to highlight suggestions which will result in enhanced installation, reliability, or operation.

### **⚠ CAUTION**

#### **CUT HAZARD**

Failure to follow this caution may result in unit damage.

Sheet metal parts may have sharp edges or burrs. Use care and wear appropriate attire.

### General

These filter racks can be used in either a horizontal or vertical discharge application, and are designed to accommodate either 1" or 2" (25.4mm or 50.8mm) wide filters. Use caution not to damage indoor coil during installation.

### Installation

1. Remove the filter access panel on the HVAC unit. (See Fig. 1.)
2. Install the top filter rack in the HVAC unit next to the indoor coil. Lift rack to the very top of the return chamber and screw rack into coil frame on both the left and right side. Be careful not to insert screws where coil damage could occur. If using 2" (50.8mm) filters remove filter spacer. (See Figs. 2A, 3A, and 4A.)

NOTE: On top filter rack for small cabinet, screw left side to coil frame. On right side, bend tab on rack and screw to unit divider. Hold height dimension shown in Fig. 2.

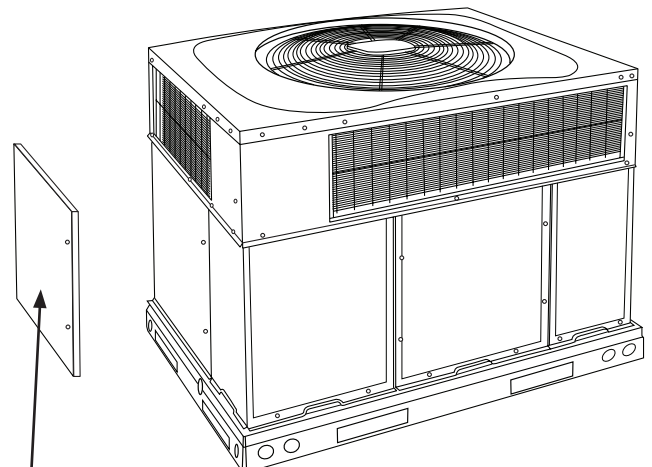
3. Install the bottom filter rack in the HVAC unit next to the indoor coil. Filter rack will rest on the HVAC base and screw into the left and right side of the coil frame. Be careful not to insert screws where coil damage could occur. If using 2" (50.8mm) filters remove filter spacer. (See Fig. 2A, 3A and 4A.)

4. Install filters in rack. See Table 1 for sizes.

5. Replace filter access door on HVAC unit.

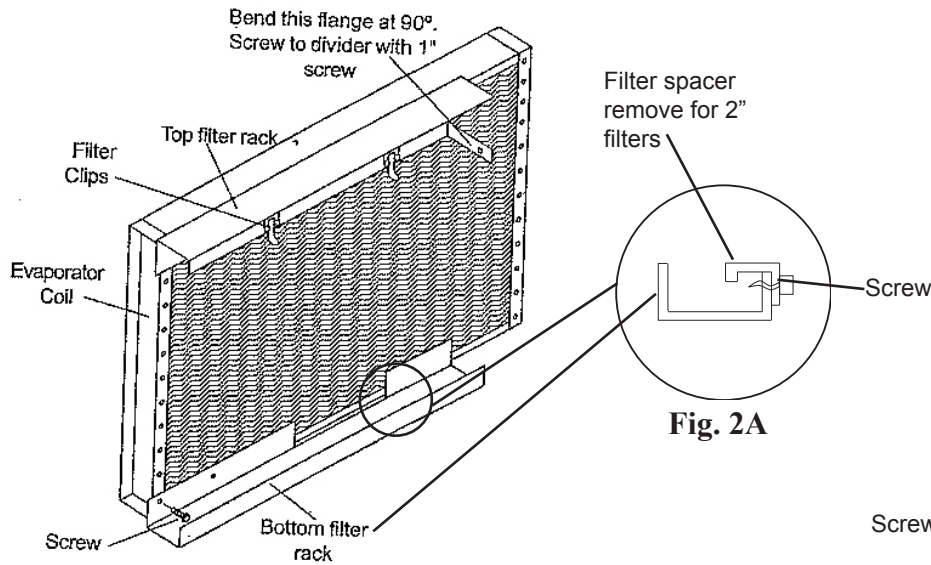
### PACKAGE CONTENTS

Part No.	Qty	Description
CPFILTRK007A00	1	Top Filter Rack
	1	Bottom Filter Rack
	2	12 x 20 x 1 Filters
	1	Hardware Bag
	1	Instructions
CPFILTRK008A00	1	Top Filter Rack
	1	Bottom Filter Rack
	1	14 x 24 x 1 Filter
	1	16 x 24 x 1 Filter
	1	Hardware Bag
	1	Instructions
CPFILTRK009A00	1	Top Filter Rack
	1	Bottom Filter Rack
	1	16 x 24 x 1 Filter
	1	18 x 24 x 1 Filter
	1	Hardware Bag
	1	Instructions

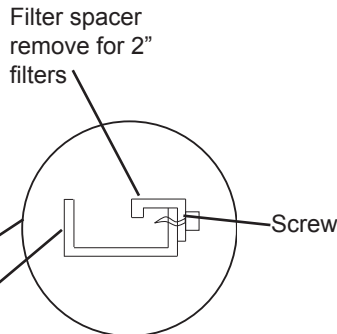


Filter Accessory Panel  
 for Accessory Filter Rack

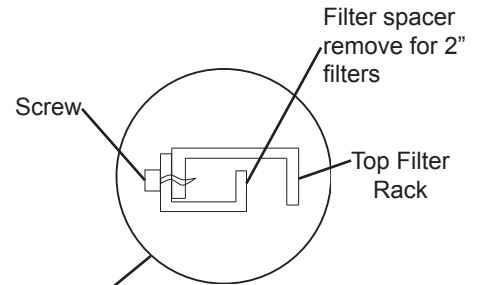
**Fig. 1 - Panel Removal**



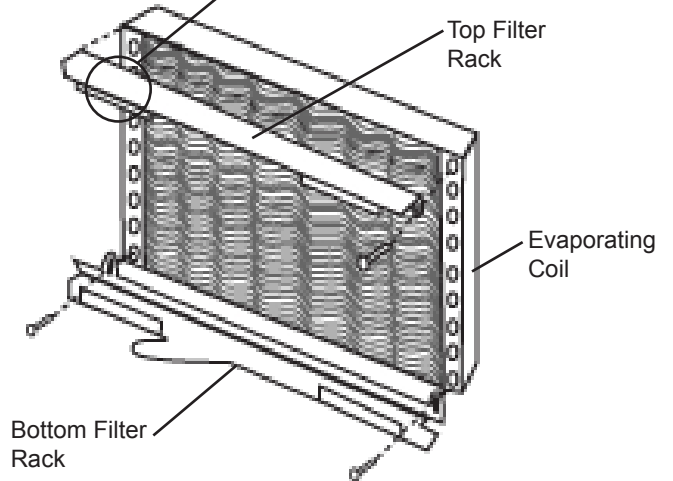
**Fig. 2 - CPFILTRK007A00**



**Fig. 2A**



**Fig. 3A**



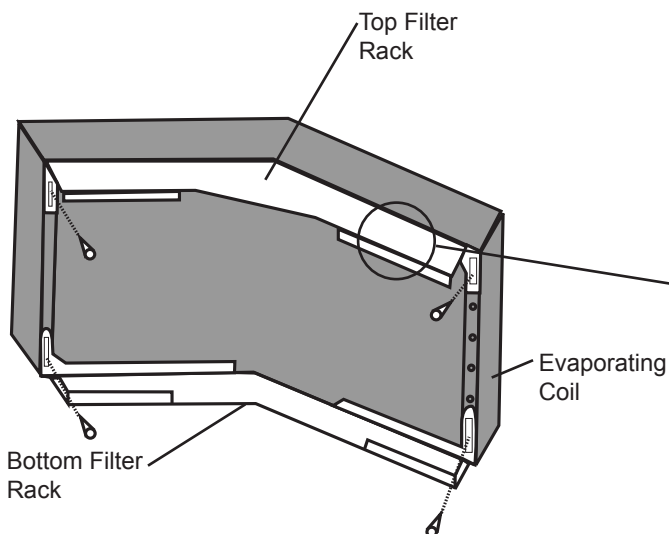
**Fig. 3 - CPFILTRK008A00**

**Table 1 - Filter Sizes**

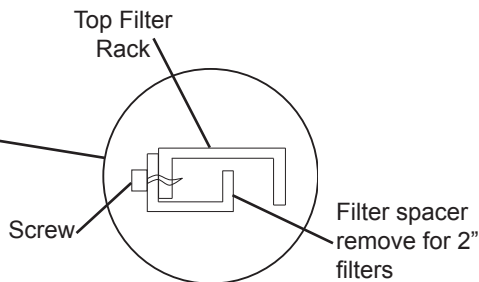
PART NO.	FILTERS
CPFILTRK007A00	(2) 12 X 20* (304.8 X 508mm)
CPFILTRK008A00	(1) 14 X 24 (355.6 X 609.6mm) (1) 16 X 24 (406.4 X 609.6mm)
CPFILTRK009A00	(1) 16 X 24 (406.4 X 609.6mm) (1) 18 X 24** (457.2 X 609.6mm)

\*If using 2" (50.8mm) field installed filters use (1) 10x20 (254x508mm) and (1) 12x20 (304.8x508mm).

\*\*Install 18 X 24 (457.2mm x 609.6mm) filter first. The 18 x 24 (457.2mm x 609.6mm) will be on the left side when facing front coil.



**Fig. 4 - CPFILTRK009A00**



**Fig. 4A**