

FIGURE 410A BRASS BODY BALL VALVES



2 PC FULL PORT* 600 WOG

FEATURES

- Threaded Connection
- 600 WOG
- 150 WSP
- Full port*
- PTFE seats
- Meets MSS SP-110 standards
- UL approved (Up to 2")
- FM & CSA approved (1/2" to 2" only)
- Blow-out proof stem
- Adjustable packing
- Threaded NPT ends per ANSI B1.20.1
- Stocked configurations:
 - Standard lever (1/4" to 4")
 - Oval handle (1/4" to 1")
 - Tee handle (1/4" to 1")
- Optional lock lever kit
- Optional stem extension kit
- Optional tee handle kit
- Optional oval handle kit
- Optional memory stop kit

*4" Valve is standard port

NOT FOR USE AT OR BELOW GROUND LEVEL

GAS APPROVALS

- CSA Class 3371-08, ANSI Z21.15/CSA9.1, 1/2 PSIG, -40°F - 125°F
- CSA Class 3371-10, CGA 3.16, 125 PSIG, -40°F - 149°F
- CSA Class 3371-12, CGA CR91-002, 5 PSIG, -40°F - 125°F
- CSA Class 3371-88, ANSI Z21.15/CSA9.1, 1/2 PSIG, -40°F - 125°F
- CSA Class 3371-92, ASME B16.44, 5 PSIG, -40°F - 125°F
- CSA Class 3371-94, ASME B16.33, 125 PSIG, -20°F - 150°F
- UL Class YRBX, ANSI/UL-842, 600 PSIG, -20°F - 125°F
- UL Class YSDT, ANSI/UL-125, 250 PSIG, -40°F - 130°F



ACCESSORIES



Stem Extension Kits



Replacement Handles



Oval Handle Kits



Tee Handle Kits



Locking Handle Kits



Memory Stops

ADDITIONAL STOCKED CONFIGURATIONS



Oval Handle (1/4" - 1")



Tee Handle (1/4" - 1")

FIGURE NUMBER MATRIX

FNW	410A	Handle Code	Size Code
		Standard Handle = Blank	1/4 = B 1-1/2 = J
		Oval Handle (1/4 - 1) = O	3/8 = C 2 = K
		Tee Handle (1/4 - 1) = T	1/2 = D 2-1/2 = L
			3/4 = F 3 = M
			1 = G 4 = P
			1-1/4 = H

KIT CODES (ORDER SEPARATELY)

FNW	410A	Kit Type	Size Code
		Replacement Handle = BRYLWH	1/4 - 1/2 = BD
		Locking Lever = LHK	3/4 - 1 = FG
		Stem Extension = SE	1-1/4 - 1-1/2 = HJ
		Tee Handle* = THK	*2 - 4 = KP
		Oval Handle* = OHK	
		Memory Stop = MSK	

*Note: Due to the higher torque requirements of larger valves, use of Tee and Oval handles on valves larger than 1-1/2" can be difficult to operate.

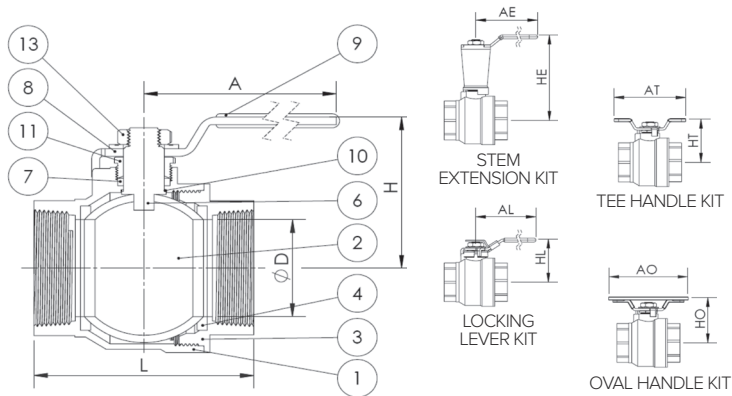
Warning: Cancer and reproductive harm. www.p65warnings.ca.gov

FIGURE 410A BRASS BODY BALL VALVES

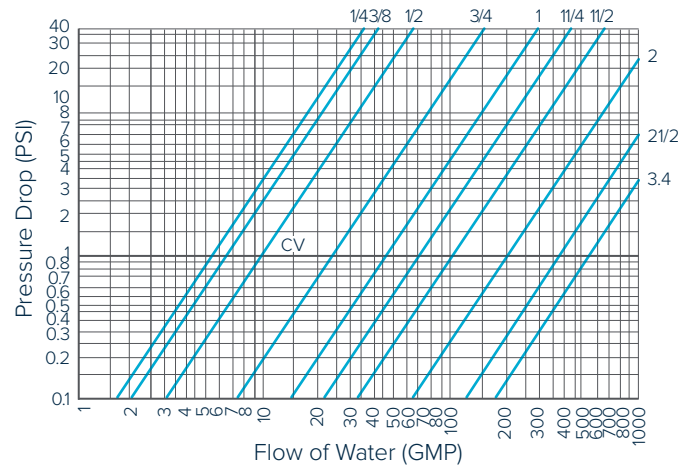


2 PC FULL PORT* 600 WOG

PARTS BREAKDOWN



PRESSURE DROP/FLOW OF WATER



DIMENSIONS (INCHES) & WEIGHT

Size	ØD	A	L	H	Wt. (Lbs)	AL	HL	AO	HO	AT	HT	AE	HE
1/4	0.35	3.15	1.69	1.42	0.20	3.27	1.65	2.87	1.46	2.60	1.18	2.95	4.29
3/8	0.39	3.15	1.81	1.46	0.30	3.27	1.69	2.87	1.46	2.60	1.38	2.95	4.29
1/2	0.50	3.15	2.13	1.50	0.40	3.27	1.73	2.87	1.50	2.60	1.42	2.95	4.37
3/4	0.75	4.33	2.48	1.85	0.74	4.41	2.13	3.66	1.89	3.31	1.77	3.94	4.72
1	0.98	4.33	2.99	2.05	1.03	4.41	2.32	3.66	2.05	3.31	1.97	3.94	4.92
1-1/4	1.26	5.12	3.35	2.36	1.61	5.24	2.68	4.45	2.40	3.94	2.28	4.92	5.31
1-1/2	1.50	5.12	3.62	2.56	2.11	5.24	2.87	4.45	2.56	3.94	2.48	4.92	5.51
2	1.97	7.87	4.25	3.11	3.83	7.99	3.58	5.47	3.27	4.72	3.11	7.87	6.10
2-1/2	2.48	7.87	5.16	3.50	6.30	7.99	3.98	5.47	3.62	4.72	3.50	7.87	6.50
3	2.95	7.87	5.91	3.86	9.30	7.99	4.33	5.47	3.98	4.72	3.86	7.87	6.81
4	2.95	7.87	6.26	3.86	12.10	7.99	4.33	5.47	3.98	4.72	3.86	7.87	6.81

PART MATERIALS & QUANTITY

Ref #	Description	Material	Qty	Notes
1	Body	ASTM B124-C37700 Brass ASTM B584-C85700 Brass	1	1/4 to 1-1/2 2 to 4
2	Ball	ASTM B16-C36000 Brass (Chrome Plated) ASTM B124-C37700 Brass (Chrome Plated)	1	1/4 to 3/4 (Solid) 1 to 4 (Shell)
3	End Cap	ASTM B124-C37700 Brass	1	
4	Seat	PTFE	2	
6	Stem	ASTM B16-C36000	1	
7	Stem Packing	PTFE	1	
8	Handle	ASTM A283-D Steel	1	Zinc Plated
9	Handle Sleeve	Vinyl	1	
10	Thrust Washer	PTFE	1	2 to 4
11	Packing Gland	ASTM B16-C36000	1	
13	Handle Nut	AISI-1010 Steel	1	Zinc Plated

PRESSURE/TEMPERATURE

