



4700 W. 160th St.
Cleveland, OH 44135
PH: 800-321-9532
FX: 800-321-9535
www.oatey.com

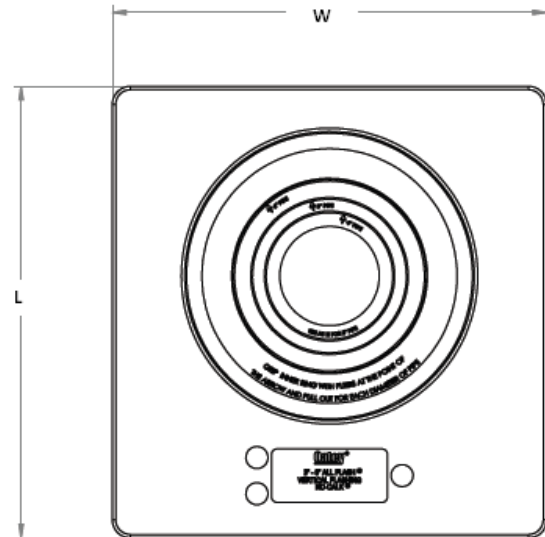
TECHNICAL SPECIFICATION

**SIDEFLASH™
VERTICAL FLASHINGS**



Engineering Specification: Oatey SideFlash Vertical Flashings can be used in commercial and residential applications where a watertight seal of piping penetrations through outside walls is required. SideFlash Vertical Flashings are designed with a tear out collar to accommodate pipe size use from 1/2" to 2-1/2" or 3" to 6". SideFlash Vertical Flashings are rated to 180°F.

Job Reference



(All dimensions in inches)

- ◆ Made of hard plastic base with elastomeric collar
- ◆ Not for use on sloped surfaces
- ◆ Do not use paint or petroleum based products on rubber collars
- ◆ Longer lasting than caulk or foam
- ◆ Seals against air penetration to reduce energy costs
- ◆ Prevents bugs and vermin from entering the structure through opening

| ✓ | Product No. | Description | Length (L) | Width (W) | PACK | Ctn. Weight (lbs.) |
|---|-------------|---------------------------------|------------|-----------|------|--------------------|
| | 12805 | 1/2" – 2-1/2" Vertical Flashing | 8-1/2 | 8 | 12 | 3 |
| | 12806 | 3" – 6" Vertical Flashing | 12-1/2 | 12 | 12 | 6 |

Data is subject to manufacturing tolerances.