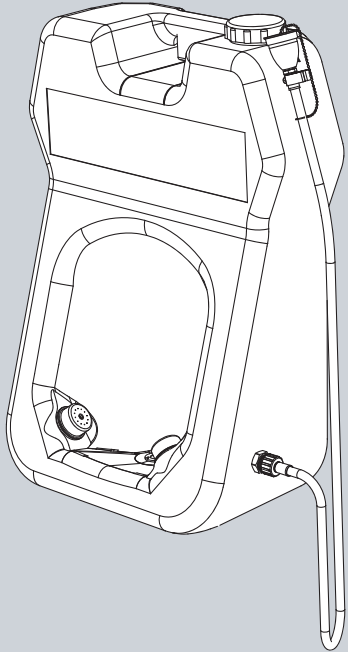


INSTRUCTIONS FOR MODELS

SE-4300 GRAVITYFLO™ Portable Eyewash with Drench Hose



NEED HELP?

For additional assistance or service please contact:

SPEAKMAN® Company
400 Anchor Mill Road
New Castle, DE 19720

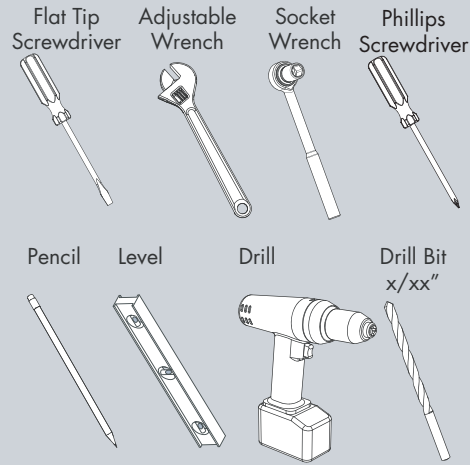
800-537-2107

customerservice@speakman.com

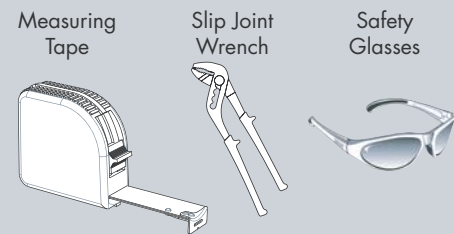
www.speakman.com

92-SE-4300-06

TOOLS AND SUPPLIES



HELPFUL TOOLS & SUPPLIES:



SAFETY TIPS

Be sure to wear eye protection.

MAINTENANCE

Occasional cleaning and disinfection is recommended. To clean the inside of the unit, add 1/2 cup (4 fluid oz.) of Clorox (liquid bleach) to a full tank of potable water. Allow the mixture to penetrate for 15 minutes. Drain tank, and rinse thoroughly several times with potable water. Take care to not overtighten drain cap as damage may occur. For further information about Clorox, call toll-free at 1-800-292-2200. Follow refilling instructions in this manual and place the tank back in service. Should any repair part be required, use only genuine SPEAKMAN parts for repair or replacement. See available replacement parts in this document, to order parts call 1-800-537-2107.

WARRANTY

3 Year Limited Warranty

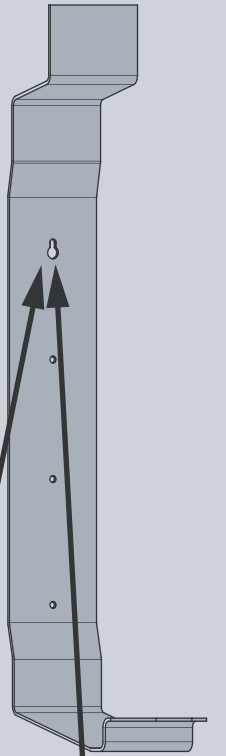
Additional warranty information can be found at:
www.speakman.com

IMPORTANT

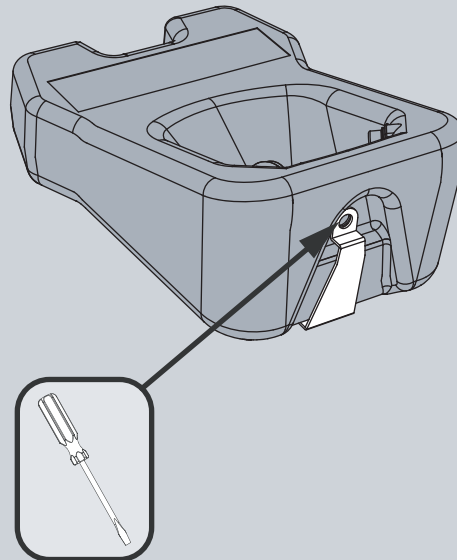
ANSI Z358.1 requires that all self-contained eyewash shall be visually inspected weekly, unless the product is placed in environments with extreme conditions that may affect the form, fit, or function of the unit (temperature, dirt, etc.). If this is the case, then the inspection should be conducted more often as the end user deems necessary. Speakman Company furnishes a testing record tag (91-0635) with each unit. On this tag, the date of inspection and the inspectors' initials should be noted. ANSI Z358.1 specifies that the height of the spray heads is to be between 33" - 45" from the floor. The SE-4300 unit weighs approximately 185 lbs filled. Ensure the mounting surface (wall, etc.) and mounting hardware can safely hold a minimum vertical load of 300 lbs. Be sure to read instructions thoroughly before beginning installation. Do not overtighten any connections or damage may occur. The unit should be full at all times, to achieve the minimum 15 minute run time as stated by ANSI, in case of an emergency. Refill the tank to a full level after each activation. Before refilling tank dry and clean outside of spray heads, and inside of pull strap to remove debris, and to assure proper sealing.

2 Select a suitable location for the SE-4300. The location should protect the unit from freezing and potential scalding conditions. After confirming the Spray Head height, refer to the rough-in diagram for Wall Bracket height measurements to determine mounting hole locations for the bracket. Making sure the bracket is level, mark and drill holes in the mounting structure.

Note: Mounting hardware not included. Ensure the mounting surface (wall, etc.) and mounting hardware can safely hold a minimum vertical load of 300 lbs.

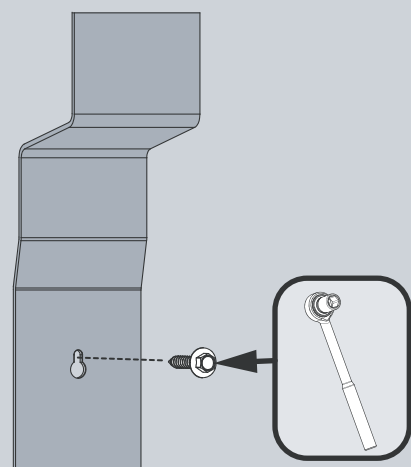


1 Using a screwdriver, remove the lower portion of the Wall Bracket from the recess on the Tank. Remove the Tank from the Wall Bracket completely.

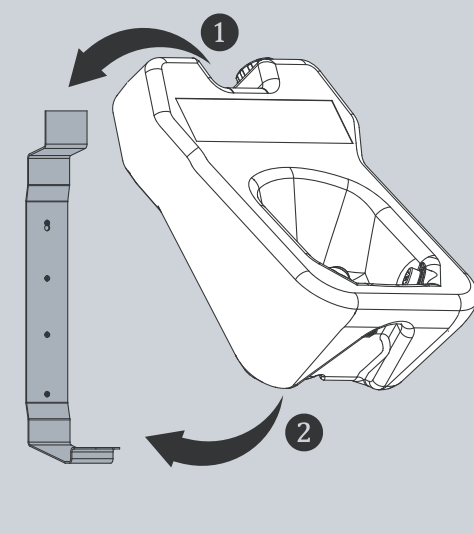


3 Mount the Wall Bracket using appropriate hardware, making sure to torque to manufacturer's specifications, if applicable.

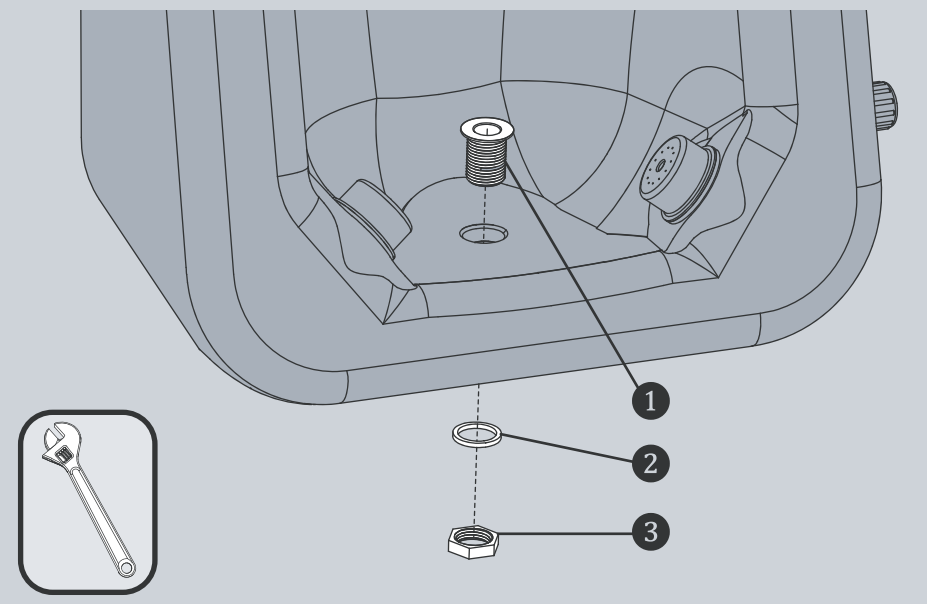
Note: Mounting hardware not included. Ensure the mounting surface (wall, etc.) and mounting hardware can safely hold a minimum vertical load of 300 lbs.



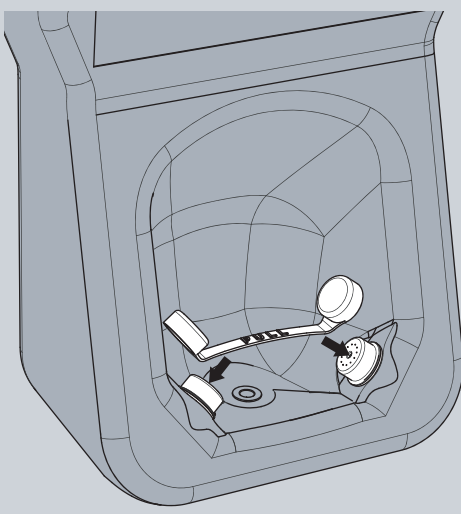
4 Install empty Tank to Wall Bracket by first inserting "hook" on the top of the bracket into the handle of the Tank (1). Lower the Tank until the Wall Bracket snaps into the recess at the bottom of the Tank (2).



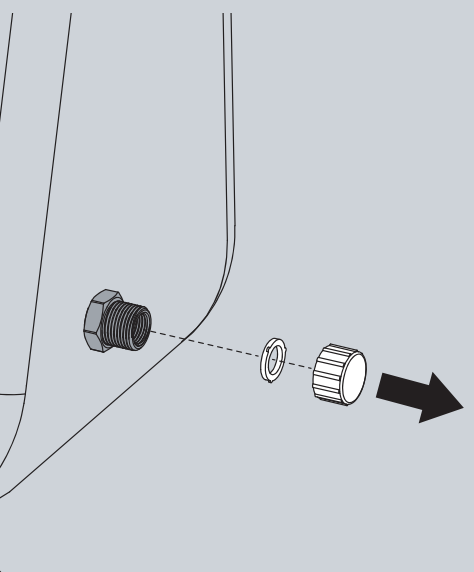
5 Retrieve drain parts from accessory bag. Insert Drain Fitting (1) through openings in the Tank and Wall Bracket. Drain Washer (2) can now be positioned over the threading, followed by wrench tightening Drain Nut (3). Be sure not to over tighten Drain Nut.



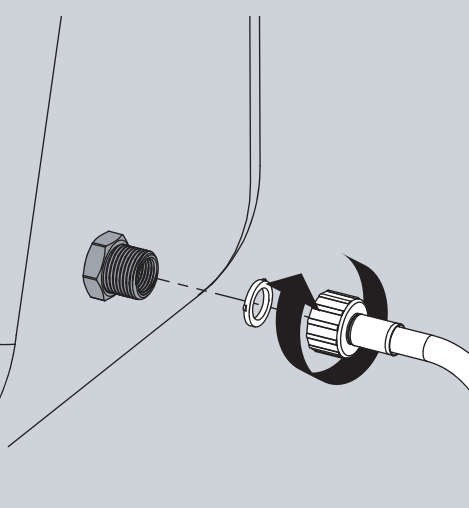
6 Retrieve the Pull Strap from the accessory bag. Slide the cups over the Spray Heads individually, pressing firmly until they are fully seated. Make sure handle portion of the Pull Strap is oriented so the word "PULL" is easily seen in an upright position.



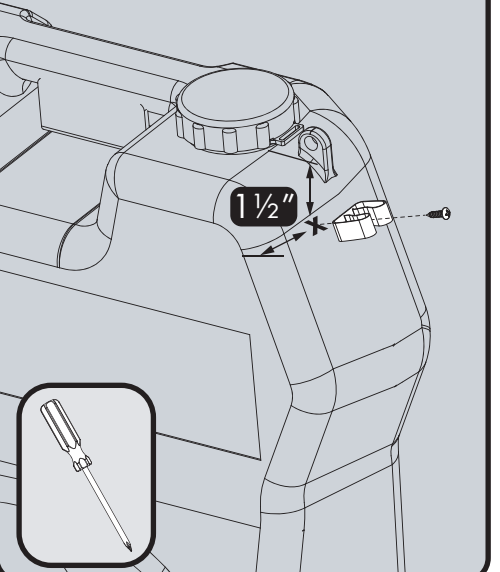
7 Remove the drain plug and washer from the same side of the tank.



8 Attach drench hose to 3/4" GHT male thread outlet on the right-side of the eyewash tank, making sure it is snug enough to compress rubber sealing washer for proper sealing. Do not over-tighten or damage to outlet on tank or coupling nut could occur.



9 Attach the hose clip with self-tapping screw 1-1/2" from the front and top of tank. The hose assembly can be positioned on either the right or left side of the tank depending on customer preference.



10 Hook the hose into the hose clip.

11 Remove Fill Cap and fill the Tank with potable water (approximately 20 gallons). Failure to use potable water can result in emergency units producing impure or contaminated water, possibly causing further injury. Inspect for leaks. If leak occurs, gradually tighten coupling nut to add further compression to rubber washer as outlined in Step 8.

12 Reinstall Fill Cap and secure it with the tamper-evident Seal Tie. Update and secure the Maintenance Tag to the Tank in a location where it can be easily checked.

13 To activate the flow of water, pull upwards on the Pull Strap, fully removing both covers from the Spray Heads.

14 If the drench hose connection port area should develop a leak, simply snug the retaining nut to compress the seal. Take extra care to not over tighten or damage may occur.

IMPORTANT

Self-contained eyewash equipment shall be visually checked frequently to determine if flushing fluid needs to be changed or supplemented. Frequency of these inspections is dependent on environment conditions, but at a minimum weekly. Failure to conduct visual checks could lead to further injury.

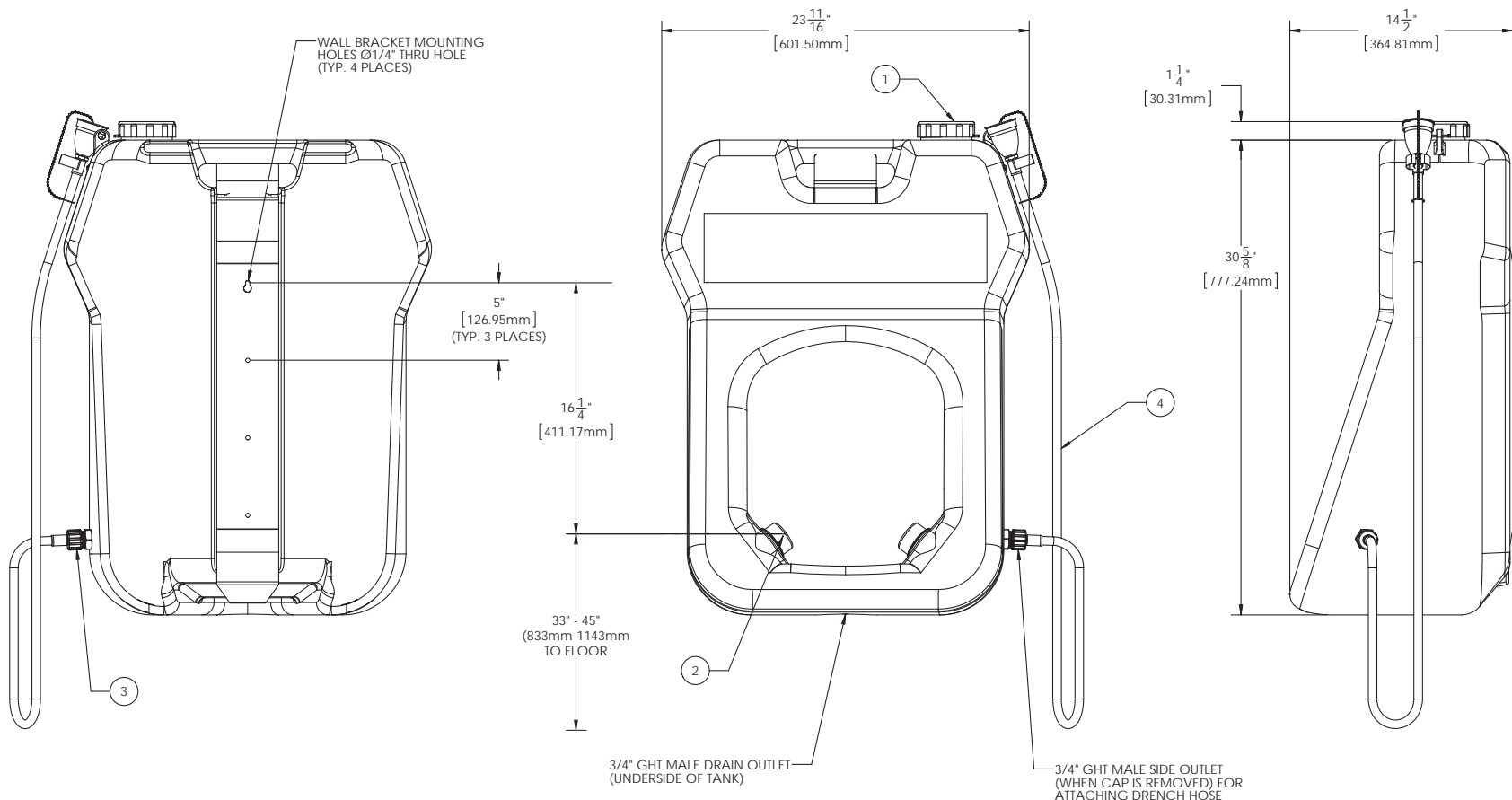
Customer shall take precautions to help prevent the growth of potentially harmful bacteria in eyewash tanks. Either of the following procedures is recommended.

Procedure 1: Use suitable Bacteriostatic preservative to help prevent growth of bacteria in eyewash tank. Eyewash tank should be drained, flushed and refilled with clean potable water and Bacteriostatic preservative added as directed by the preservative's manufacturer.

Procedure 2: Drain, flush and refill units with clean potable water at least once every week unless site conditions require more frequent changing. Thoroughly cleanse tank at least once every month. See "Maintenance" Section for further information of cleaning unit.

15 To periodically drain the unit, remove the lower drench hose connection. Once all water is removed, reinstall connection and hand tighten into position. Take care to not over tighten or damage may occur.

SE-4300 ROUGH-IN DIAGRAM / REPAIR PARTS



REPAIR PARTS

FLOW DATA:

| | |
|--------------------------|----------------------|
| RUN TIME (FULL TANK) | 15 MINUTES (minimum) |
| FLOW RATE IN gpm (L/min) | .4 (1.5) MINIMUM |

DIMENSIONS SUBJECT TO CHANGE WITHOUT NOTICE.

| ITEM | PART NUMBER | DESCRIPTION |
|------|-------------|---|
| 1 | RPG07-0021 | FILL CAP |
| 2 | RPG38-0433 | (2) SPRAY HEAD ASSEMBLIES |
| 3 | RPG07-0022 | SIDE OUTLET CAP |
| 4 | SE-4920 | DRENCH HOSE |
| N/S | RPG56-0039 | PULL STRAP ACTIVATOR |
| N/S | RPG05-0935 | (3) 12" TAMPER EVIDENT SEAL TIES |
| N/S | RPG05-0901 | PULL STRAP ACTIVATOR & DRAIN BULKHEAD FITTING |