

Classic Commercial Shower Head

MODELS:

- S-2253: 2.5 gpm flow rate
- S-2253-E2: 2.0 gpm flow rate
- S-2253-E175: 1.75 gpm flow rate
- S-2253-E15: 1.5 gpm flow rate

FEATURES:

- Chrome plated shank
- Spray adjusting T-handle
- 4 plungers, 32 sprays
- 1/2 in. NPT inlet
- Brass Ball
- Brass ball nut

FINISH:



PC

OPTION:

Add suffix to model #

- 1/2 in. British pipe thread inlet -BPT

COMPLIANCE:

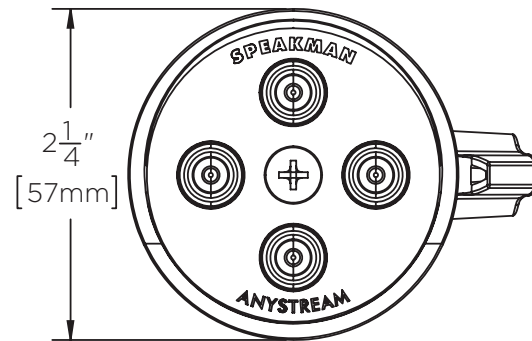
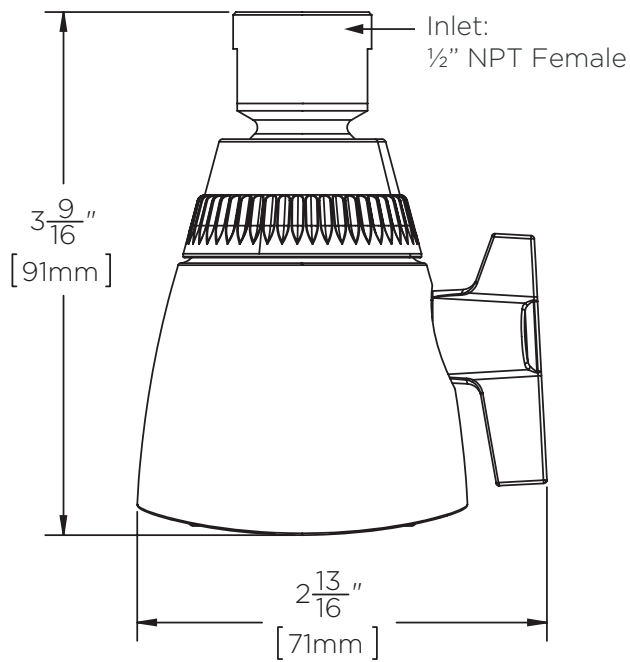
- ASME A112.18.1/CSA B125.1 certified
- WaterSense certified (-E2, E-175, -E15)

WARRANTY:

- Limited Lifetime Warranty (consumer use)
- 1 Year Limited (commercial use)



DIMENSIONS: NOTE: 1. All dimensions are in inches (millimeters) unless otherwise specified and are subject to change without notice.



DIMENSIONS SUBJECT TO CHANGE WITHOUT NOTICE.