

# SPEAKMAN®

## S-2540 Installation, Maintenance & Operation Instructions SHOWER ARM AND FLANGE

### DESCRIPTION

Speakman polished chrome plated brass 7" shower arm with brass wall flange.

### SPECIFICATIONS

½" NPT MALE INLET  
½" NPT MALE OUTLET  
SHIPPING WEIGHT: 0.7 LBS.

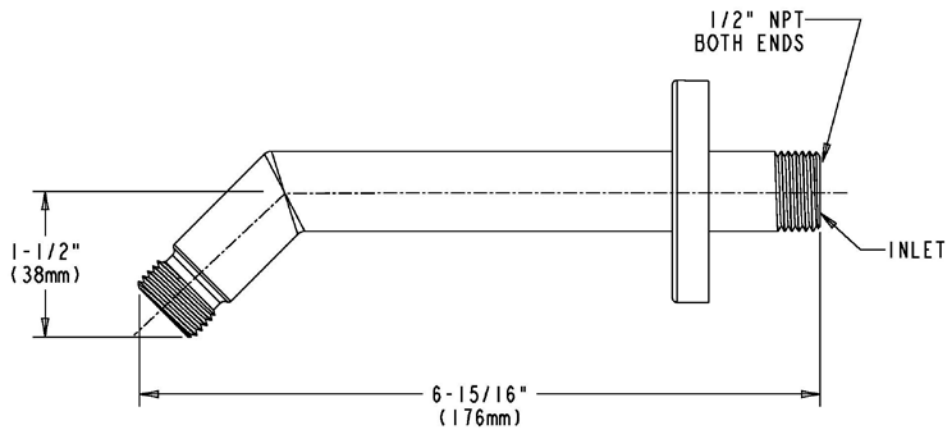
### INSTALLATION

Slip wall flange onto shower arm. Apply teflon tape or pipe dope to male inlet threads and thread arm into supply piping behind the wall. Wrench tighten. Slip wall flange flush to wall. Check connection for leaks.

### MAINTENANCE

The gleaming finish of your SPEAKMAN S-2540 shower arm can be cleaned by using mild soap and warm water. Dry immediately with a soft, clean cloth for best results.

### ROUGH-IN MEASUREMENTS



## SPEAKMAN®

400 Anchor Mill Rd. New Castle, DE 19720 Phone: 800-537-2107  
12/12 Visit us on the web at [www.speakmancompany.com](http://www.speakmancompany.com)

Fax: 800-977-2747  
92-S-2540-R2