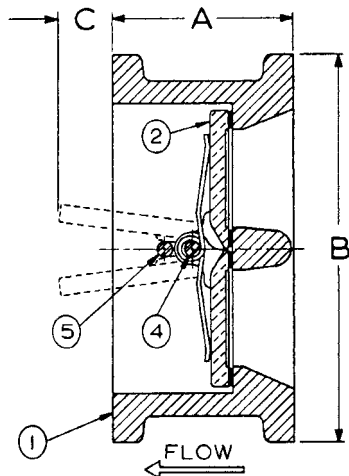
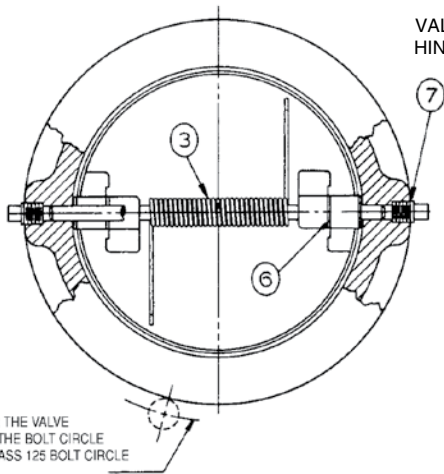


8800* 2"-20"

Iron Non-Slam Check Valve 125 Class • Wafer Style Stainless Steel Trim • Double Disc Third Party Certified NSF/ANSI 372-2016



- VERTICAL FLOW -
FLOW-UP APPLICATION ONLY

Max Non-Shock Working PSI 125# ANSI B16 Flange Rating		
Size	Temperature	
	150° F	200° F
2" - 12"	200 PSI	190 PSI
14" - 20"	150 PSI	135 PSI

MATERIAL LIST		
No.	PART	MATERIAL
1	Body	Cast Iron w/EPDM Seat, ASTM A126
2	Disc	Stainless Steel, TYPE 304
3	Spring	Stainless Steel, TYPE 304
4	Lever	Stainless Steel, TYPE 304
5	Pin	Stainless Steel, TYPE 304
6	Plug	Stainless Steel, TYPE 304
7	Retaining Ring	Stainless Steel, TYPE 304

DIMENSIONS - INCHES/MILLIMETERS						
Units	Size	Model No.	A	B	C	C _v
Inches mm	2	8802	1.75 45	4.00 102	0.25 6	48
Inches mm	2 1/2	8825	1.86 47	4.75 121	0.63 16	99
Inches mm	3	8803	2.50 64	5.25 133	0.50 13	171
Inches mm	4	8804	2.50 64	6.75 172	1.13 29	290
Inches mm	5	8805	2.75 70	7.63 194	1.38 35	489
Inches mm	6	8806	3.00 76	8.63 219	1.63 41	695
Inches mm	8	8808	3.50 89	10.86 276	2.88 73	1789
Inches mm	10	8810	4.50 114	13.25 337	3.00 76	2557
Inches mm	12	8812	4.50 114	16.00 406	4.63 118	4287
Inches mm	14	8814	5.00 127	17.63 448	5.00 127	5456
Inches mm	16	8816	5.50 140	20.00 508	5.75 146	7342
Inches mm	18	8818	6.00 152	21.5 546	6.38 162	9532
Inches mm	20	8820	6.00 152	23.75 603	7.13 181	12000

Note 1: The wetted surface of this product contacted by consumable water contains less than one quarter of one percent (.25%) of lead by weight.

Note 2: Valve is designed for liquid service only. Install 5 to 10 pipe diameters downstream from pump discharge or elbows to avoid flow turbulence. Valve is designed to be mated to standard steel flanges.

INNOVATION IN EVERY VALVE

The information presented on this sheet is correct at time of publication. Milwaukee Valve reserves the right to change design and/or materials without notice. For our Installation, Operation and Maintenance Manual and the most current product information go to www.milwaukeevalve.com. State of California Prop 65
WARNING: Cancer and Reproductive Harm. For more information visit www.p65warnings.ca.gov.

MILWAUKEE VALVE