



4515 East 139th Street
Grandview, MO 64030
(800) 362-9055
Fax (800) 362-1463
www.PRIER.com

P-260 Freezeless Ground Hydrant

Application



close-up view



- **Freezeless**
- **Integral Backflow Preventer**
- **Variable Flow**
- **Lockable**
- **Triple Seal Stopper**

PRIER's P-260 Freezeless Ground Hydrant provides a year round source of water to areas subject to freezing temperatures. The P-260 comes with a built in backflow preventer and flow control lock.

Additionally, the P-260 is well known for its ease of use and maintenance. The brass stem cap design allows the stem to be removed and a stopper replaced without removing the cast iron head from the hydrant, significantly simplifying the maintenance of this type of product.

Features

- Maintained at ground level without removing heavy duty cast iron head and lever handle
- Flow control lock for water flow adjustment
- Available in 8 standard lengths, longer lengths available by request
- 3/4" FPT inlet connection
- Built in backflow preventer, self-lubricating EPDM seals, and optional ASSE 1052 vacuum breaker
- Stainless steel upper rod for long wear life
- Multi-pass seat for high flow rates
- Heavy duty galvanized steel pipe body and operating stem
- Optional brass pipe and operating rod for harsh water environments
- Solid brass garden hose adapter and triple seal stopper for long wear life
- Bucket hook on spout
- Made in the USA

Ordering

P-260-3

- ↳ **Bury Depth**
- | | |
|------------------|------------------|
| 1- 1' Bury Depth | 5- 5' Bury Depth |
| 2- 2' Bury Depth | 6- 6' Bury Depth |
| 3- 3' Bury Depth | 7- 7' Bury Depth |
| 4- 4' Bury Depth | 8- 8' Bury Depth |

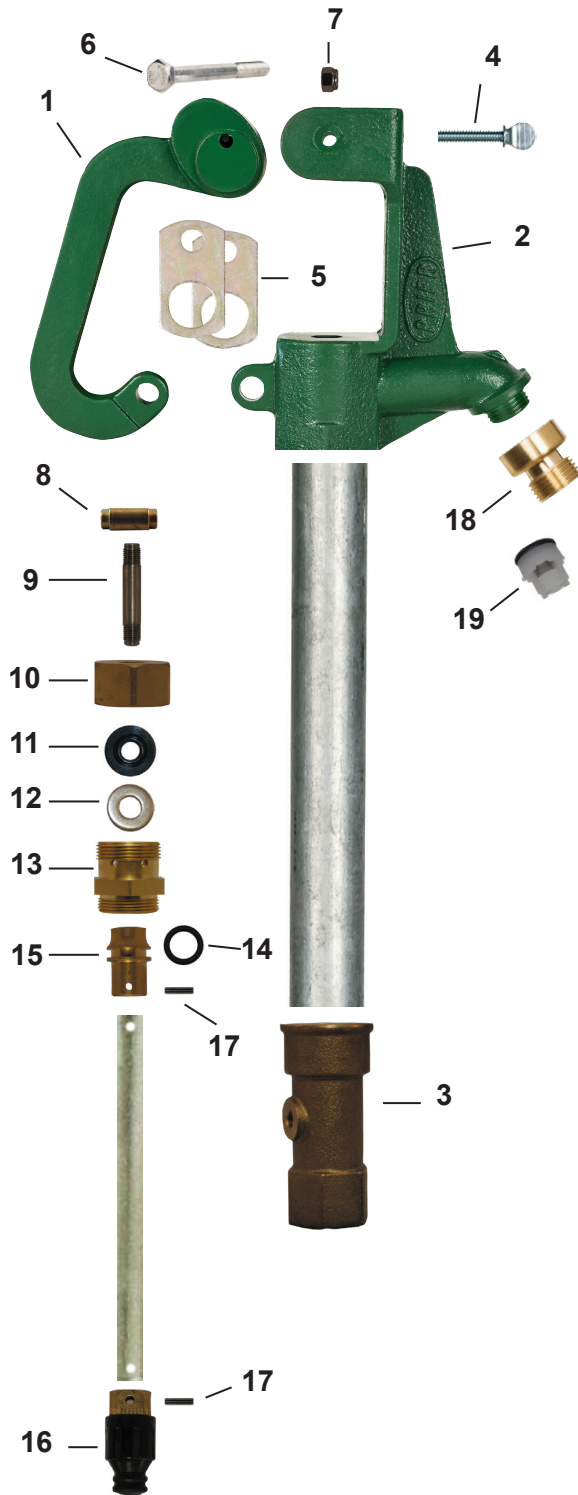


Part No.	Size	Overall Length	Weight Ea.
P-260-1	1' Bury	44"	13 lbs
P-260-2	2' Bury	56"	15 lbs
P-260-3	3' Bury	68"	17 lbs
P-260-4	4' Bury	80"	19 lbs
P-260-5	5' Bury	92"	21 lbs
P-260-6	6' Bury	104"	23 lbs



4515 East 139th Street
 Grandview, MO 64030
 (800) 362-9055
 Fax (800) 362-1463
 www.PRIER.com

Replacement Parts



ID	Part No	Description
1	301-7003	Handle (Cast Iron)
2	301-7001	Hydrant Head (Cast Iron)
3	300-7001	Seat (Cast Brass)
4	315-0001	Thumb Screw (Zinc Plated Steel)
5	304-7001	Draw Straps, Quantity 2 Required (Zinc Plated Steel)
6	314-0011	Handle Bolt (Stainless Steel)
7	314-0009	Hex Nut (Stainless Steel with Nylon)
8	314-7001	Adjustable Connector Nut (Zinc)
9	314-7002	Upper Rod (Stainless Steel)
10	310-7005	Valve Stem Cap, Hand Tighten Only (Brass)
11	336-0008	Packing (EPDM)
12	324-1003	Washer (Stainless Steel)
13	310-7003	Seal Adapter (Brass)
14	336-0001	O-Ring (EPDM)
15	310-7001	Bury stem end handle seal
16	399-7001	Stopper (EPDM over Brass)
17	324-0004	Spring Pin (Stainless Steel)
18	310-7006	Hose Piece, 3/4" Hose Thread (Brass)
19	399-0001	Check Valve (Plastic, Rubber and Stainless Steel)
	P-260KT-802	Stopper Repair Kit Contains: 14, 16, 17
	P-260KT-807	Overhaul Kit, Contains: 5 (2ea), 8, 10, 11, 12, 14, 16, 17 (2ea)