



Top-mount/Under-mount Kitchen Sink K-3839-1

Optional Accessories

- K- 6429 Utility Rack
- K- 6432 Saddle Towel Bar
- K- 6434 Saddle Utility Rack
- K-6647 Bottom Bowl Rack (for small bowl)
- K- 6667 Wood Cutting Board
- K- 8801-NBR Sink Strainer

Components

Product includes:

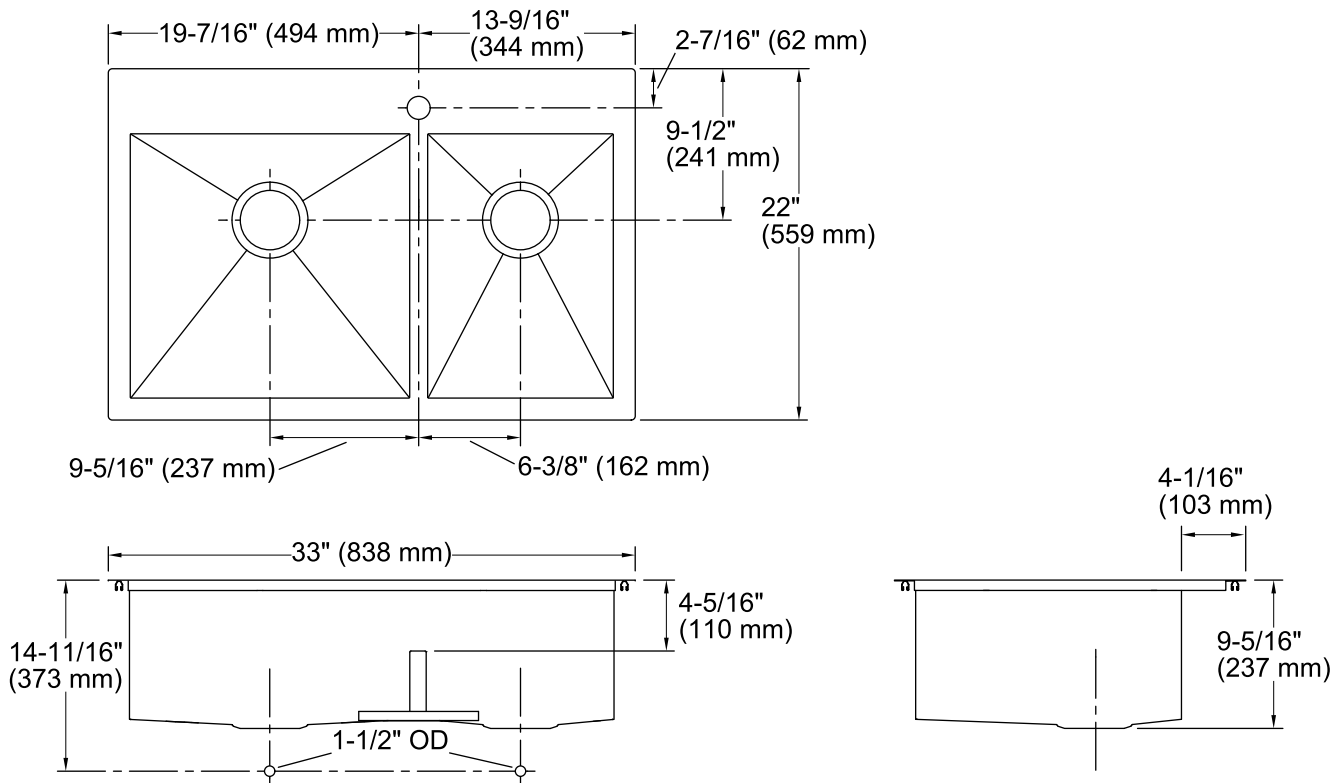
- 1177160 Hardware Kit, Top-mount



Codes/Standards

ASME A112.19.3/CSA B45.4

See website for detailed warranty information.



Technical Information

All product dimensions are nominal.

Bowl configuration: Offset

Installation: Top-mount, Under-mount

Bowl area (Left)
 Length: 17-1/2" (445 mm)
 Width: 16-9/16" (420 mm)
 Bowl depth: 9" (229 mm)
 Water depth: 9" (229 mm)

Bowl area (Right)
 Length: 11-5/8" (295 mm)
 Width: 16-9/16" (420 mm)
 Bowl depth: 9" (229 mm)
 Water depth: 9" (229 mm)

Number of deck holes: 1

Faucet hole(s): 1-7/16" (37 mm)

Drain hole: 3-3/4" (94 mm)

Template: Top-mount/Under-mount, 1130823-7,
 required, included

Notes

Install this product according to the installation guide.

Allow 3/4" (19 mm) clearance beyond the back of the bowl for the wood cutting board (optional accessory).