

# FIGURE 220AM STAINLESS STEEL BALL VALVES



## 2 PC FULL PORT 2000 CWP W/ISO MOUNTING PAD

### FEATURES

- 2000 PSI CWP\* non-shock
- 150 PSI WSP
- Threaded NPT ends
- Full port
- Blowout-proof stem
- Live loaded packing
- Anti-static design
- Investment cast body
- TFM (super TFE) seats
- Direct mounting pad
- Vacuum rated to 26.967"Hg (75 Torr)\*\*
- Vented ball
- Manufactured silicone-free
- Optional locking handle kits (1/4"-3")



### ACCESSORIES



Replacement Locking Handle Kits (1/4"-3")

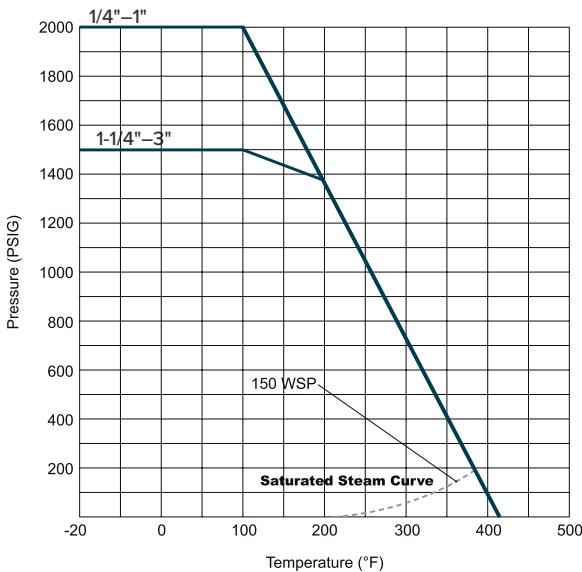
### PRODUCT SPECIFICATIONS

#### Standards

- Design: MSS SP-110
- End Connections: ASME B1.20.1
- Seat/Shell Test: MSS SP-110
- Mounting Pad: ISO 5211
- Corrosion Resistance: NACE MR0103 and MR0175
- Fugitive Emissions: ISO 15848-1 and TA-Luft

\* 1/4"-1"-2000 PSI CWP  
1-1/4"-3"-1500 PSI CWP

\*\* Vacuum measurements are often made in inches of mercury below atmospheric pressure. The values calculated here assume standard atmospheric pressure of 29.92 inches of mercury.



### REPAIR KITS (ORDER SEPARATELY)

FNW 220AM	
Size Code	
1/4"-3/8" = BC	1-1/2" = J
1/2" = D	2" = K
3/4" = F	2-1/2" = L
1" = G	3" = M
1-1/4" = H	

### TORQUE (IN-LBS)

Size / ΔP	150	300	700	1500	2000
	psig	psig	psig	psig	psig
	10 Bar	20 Bar	50 Bar	63 Bar	140 Bar
1/4, 3/8	62	62	62	62	62
1/2	62	62	62	62	71
3/4	71	71	71	71	80
1	115	133	133	133	142
1-1/4	150	177	195	230	
1-1/2	221	257	274	328	
2	292	372	407	487	
2-1/2	522	566	620	752	
3	832	929	1035	1292	

Note: 30% safety factor is recommended when sizing actuator.

### FIGURE NUMBER MATRIX

FNW 220AM	
Size Code	
1/4" = B	1-1/4" = H
3/8" = C	1-1/2" = J
1/2" = D	2" = K
3/4" = F	2-1/2" = L
1" = G	3" = M

### HANDLE KIT CODES

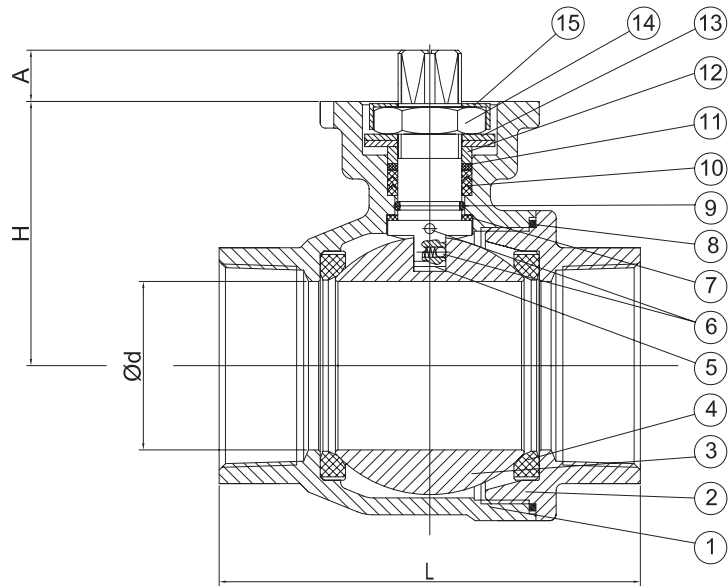
(ORDER SEPARATELY)

FNW 220AM	
Kit Type	Size Code
Locking Handle = LHK	1/4"-3/4" = BF
	1"-1-1/4" = GH
	1-1/2"-2" = JK
	2-1/2" = L
	3" = M

# FIGURE 220AM STAINLESS STEEL BALL VALVES

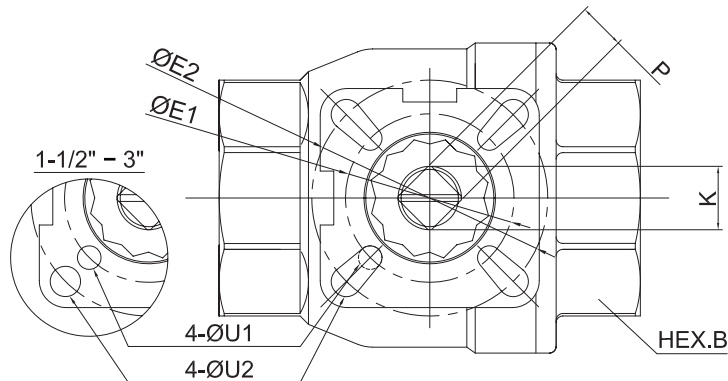


## 2 PC FULL PORT 2000 CWP W/ISO MOUNTING PAD



### STANDARD MATERIALS

Ref. No.	Description	Material	Qty
1	Body	ASTM A351 Gr. CF8M Stainless	1
2	End Cap	ASTM A351 Gr. CF8M Stainless	1
3	Ball	316SS Stainless	1
4	Seat	TFM1600+20% GF	2
5	Stem	316SS Stainless	1
6	Anti-Static Device	316SS Stainless	2
7	Thrust Washer	TFM4215	1
8	Body Gasket	PTFE	1
9	O-Ring	FKM	1
10	V-Ring Packing	PTFE	1 Set
11	Bushing	50% SS+50% PTFE	1
12	Gland	316SS Stainless	1
13	Belleville Washer	301SS Stainless	2
14	Stem Nut	ASTM A194-8 Stainless	1
15	Stop-Lock-Cap	304SS Stainless	1



### DIMENSIONS (INCHES)

SIZE	Ød	L	H	ØE1	ØE2	ØU1	ØU1	P	A	ISO (UNF)	K	B
1/4	0.42	2.44	1.70	1.42	1.65	0.24	0.24	0.35	0.35	F03/F04	7/16-20	1.06
3/8	0.50	2.44	1.70	1.42	1.65	0.24	0.24	0.35	0.35	F03/F04	7/16-20	1.06
1/2	0.59	2.95	1.70	1.42	1.65	0.24	0.24	0.35	0.35	F03/F04	7/16-20	1.06
3/4	0.79	3.15	2.00	1.42	1.97	0.24	0.28	0.35	0.35	F03/F05	7/16-20	1.26
1	0.98	3.54	2.28	1.65	1.97	0.24	0.28	0.43	0.43	F04/F05	9/16-18	1.61
1-1/4	1.26	4.33	2.48	1.65	1.97	0.24	0.28	0.43	0.43	F04/F05	9/16-18	1.97
1-1/2	1.50	4.72	2.91	1.97	2.76	0.28	0.35	0.55	0.55	F05/F07	3/4-16	2.20
2	1.97	5.51	3.27	1.97	2.76	0.28	0.35	0.55	0.55	F05/F07	3/4-16	2.76
2-1/2	2.50	7.28	4.03	2.76	4.02	0.33	0.41	0.67	0.67	F07/F10	7/8-14	3.54
3	2.99	8.07	4.36	2.76	4.02	0.33	0.41	0.67	0.67	F07/F10	7/8-14	4.02

### CV & WEIGHT

Size	Cv	Wt (lbs)
1/4	16	1.19
3/8	16	1.21
1/2	30	1.34
3/4	55	1.81
1	96	3.06
1-1/4	170	3.79
1-1/2	270	6.11
2	470	10.03
2-1/2	780	16.20
3	1150	29.98