

Features

- One-piece toilets integrate the tank and bowl into a seamless, easy-to-clean design.
- Compact elongated bowl offers added comfort while occupying the same space as a round-front bowl.
- Comfort Height® feature offers chair-height seating that makes sitting down and standing up easier for most adults.
- 1.28 gallons per flush (gpf).
- 2-1/8-inch glazed trapway.
- Quiet-Close™ seat with Quick-Release™ functionality allows seat to close quietly and quickly unlatch from the toilet for easy removal and convenient cleaning.
- Standard left-hand trip lever included.
- Supply line not included.

Technology

- Single-flush gravity uses the force of gravity and a precision-engineered tank, bowl, and trapway to create a strong siphon during flushing.
- Canister flush valve optimizes flush performance and resists warping and deterioration.
- Class Five® flushing technology offers plug- and leak-free performance, extraordinary flushing, and better rinsing power for a cleaner bowl.

Installation

- Standard 12-inch rough-in.

Water Conservation & Rebates

- WaterSense® toilets meet strict EPA flushing guidelines, including using at least 20 percent less water than 1.6-gallon toilets.
- Eligible for consumer rebates in some municipalities.



For complete listing of available colors, go to kohler.com.



ADA

Codes/Standards

ASME A112.19.2/CSA B45.1

ADA

ICC/ANSI A117.1

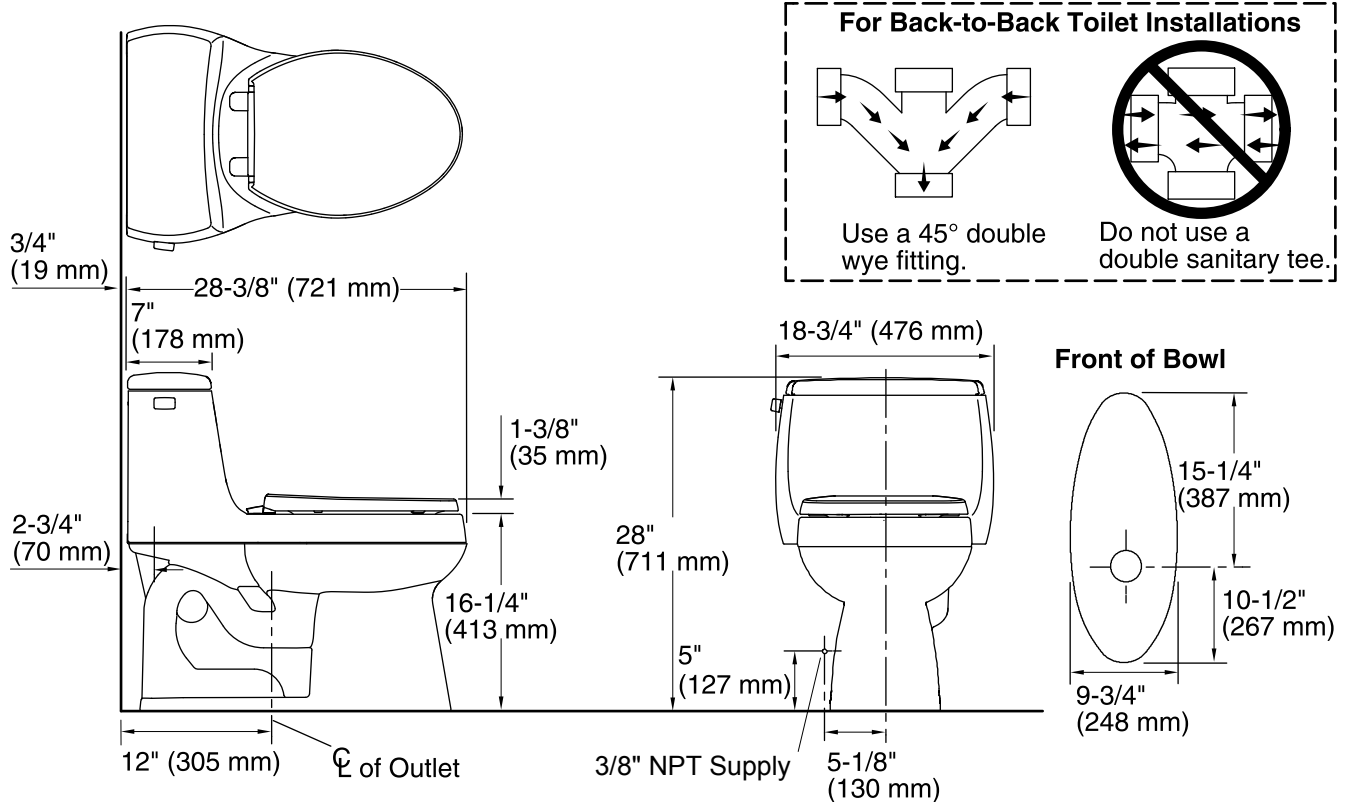
EPA WaterSense®

KOHLER® One-Year Limited Warranty

See website for detailed warranty information.

Product Specification

Toilet shall be made of vitreous china. Toilet shall be 29-3/8" (721 mm) in length, 18-3/4" (476 mm) in width, and 28" (711 mm) in height. Toilet shall be one-piece. Toilet shall be 1.28 gpf (4.8 lpf). Toilet shall be left-hand trip lever. Toilet shall be Comfort Height®. Toilet shall be a 12" (305 mm) rough-in. Toilet shall be Kohler Model K-3615.



Technical Information

- All measurements are approximate only.
- Toilet style: One-piece
 - Bowl shape: Elongated front
 - Passageway: 2-1/8" (54 mm)
 - Flush rate - full: 1.28 gpf (4.8 lpf)
 - Water area: 11" x 8-1/2" (279 mm x 216 mm)
 - Water depth from rim: 6" (152 mm)
 - Rough-in: 12" (305 mm)
 - Seat hole centers: 5-1/2" (140 mm)

Installation Notes

- Install this product according to the installation guide.
- For back-to-back toilet installations: Use only a 45° double wye fitting.
- K-4650 is the recommended toilet seat for public use accessible installations.
- The Model Plumbing Codes require the installation of elongated open-front toilet seats in public bathrooms.
- ADA compliant when installed to the specific requirements of these regulations.