



# Lead Free Galvanized Compression Couplings

### Product Features

- For repairing metal pipe
- Lead free compliant
- For cold water only
- Galvanized for corrosion protection
- Malleable iron body and nuts
- Buna-N Rubber gaskets
- 125 psi up to 120°F
- Fits IPS pipe
- Pipe ends must be restrained

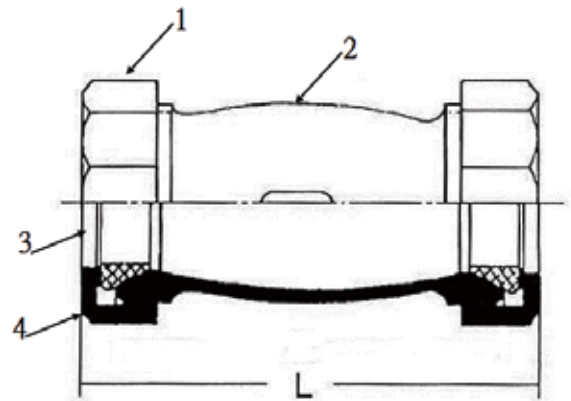
### Model Numbers

Product Codes	Nominal Size (IPS)	Approx L (mm)	Approx L (inch)
PFXGCCDL	1/2"	93	3.66
PFXGCCFL	3/4"	101	3.98
PFXGCCGL	1"	109	4.29
PFXGCCHL	1-1/4"	114	4.49
PFXGCCJL	1-1/2"	118	4.65
PFXGCCKL	2"	121	4.76
PFXGCCLL	2-1/2"	145	5.71
PFXGCCML	3"	153	6.02
PFXGCCPL	4"	164	6.46



**PFXGCCDL**

### Product Specifications



### Warranty and Codes

This product carries a 1-year limited warranty. This product meets ASTM A197. NSF / ANSI 372-2010

	Part	Material
1	Nut	Malleable Iron
2	Body	Malleable Iron
3	Washer	Steel
4	Gasket	Rubber

