

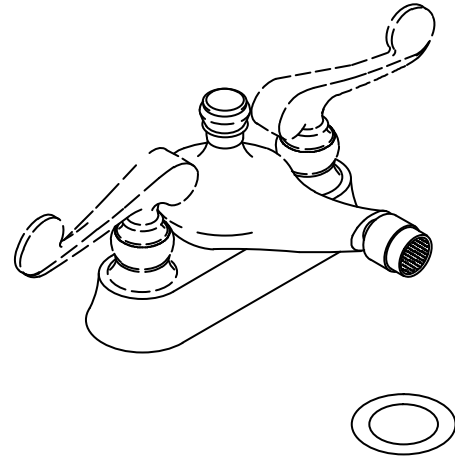
Features

- Brass construction
- For 4" (102 mm) centers
- Brass valve bodies
- Quarter-turn washerless ceramic disc valves
- 4-7/8" (124 mm) swivel spray spout
- Pop-up drain with lift rod and tailpiece
- Available with scroll or traditional lever handles

Codes/Standards Applicable

Specified model meets or exceeds the following:

- ASME A112.18.1/CSA B125.1



Colors/Finishes

- CP: Polished Chrome
- PB: Vibrant® Polished Brass
- Other: Refer to Price Book for additional colors/finishes

Specified Model

Model	Description	Color/Finish		
		<input type="checkbox"/> CP	<input type="checkbox"/> PB	<input type="checkbox"/> Other ____
K-16131-4	With scroll handles	<input type="checkbox"/> CP	<input type="checkbox"/> PB	<input type="checkbox"/> Other ____
K-16131-4A	With traditional handles	<input type="checkbox"/> CP	<input type="checkbox"/> PB	<input type="checkbox"/> Other ____

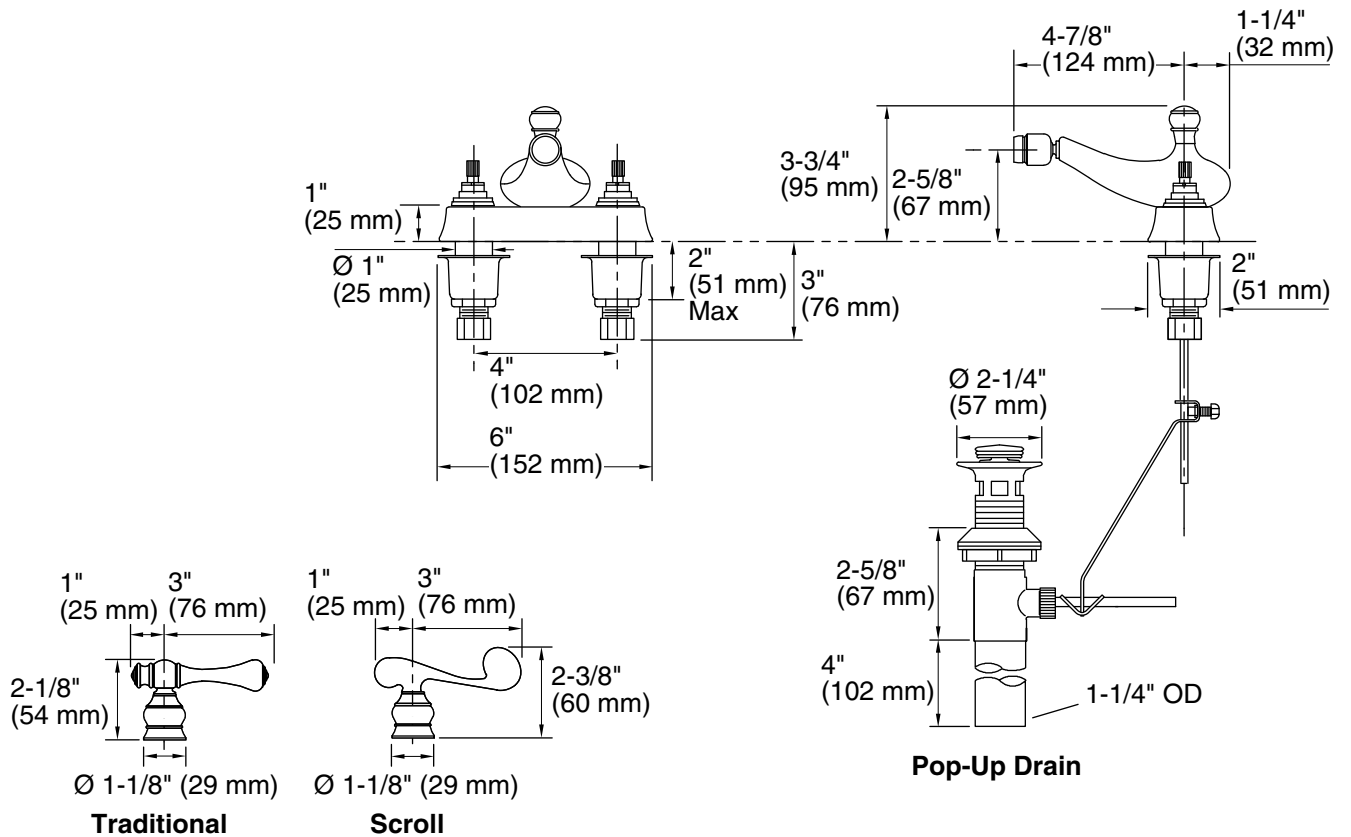
Product Specification

Two-handle centerset bidet faucet for 4" (102 mm) centers shall be of brass construction. Faucet shall feature brass valve bodies and 4-7/8" (124 mm) swivel spray spout. Faucet shall feature quarter-turn washerless ceramic disc valves, assuring positive handle stop positioning. Product shall include pop-up drain with lift rod and tailpiece. Product shall be available with scroll or traditional handles. Faucet shall be Kohler Model K-16131-_____-_____.

REVIVAL®

Installation Notes

Install this product according to the installation guide.



Product Diagram