

## INSTALLATION OF LYTECASTER REFLECTOR TRIM IN THE 2000 SERIES FRAME-IN-KIT WITH ROTO CLIPS

### READ AND UNDERSTAND THESE INSTRUCTIONS BEFORE INSTALLING FIXTURE.

This fixture is intended for installation in accordance with the National Electrical Code and local or federal code specifications. To prevent electrical shock, turn off electricity at fuse box before proceeding.

Retain these instructions for maintenance reference.

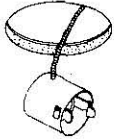


FIG. A  
1. FRAME-IN

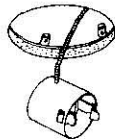


FIG. B  
2. ROTATE CLIPS

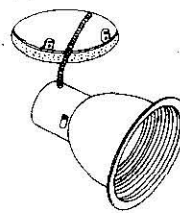


FIG. C  
4. SNAP-ON



FIG. D  
4. PUSH-UP

**WARNING: (RISK OF FIRE) DO NOT INSTALL INSULATION WITHIN 3 INCHES OF FIXTURE SIDES OR WIRING COMPARTMENT, NOR ABOVE FIXTURE IN SUCH A MANNER TO ENTRAP HEAT.**

#### 1. FRAME-IN (Fig. A)

See Frame-In-Kit Instruction Sheet for installation procedure.

#### 2. ROTATE ROTO-CLIPS (Fig. B)

As shown in Fig. E.

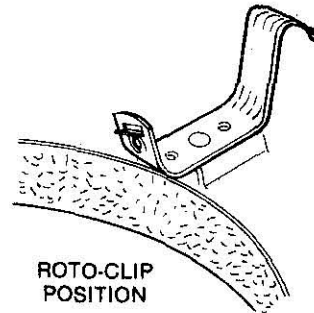
#### 3. SNAP-ON (Fig. C)

Insert SOCKET CUP in neck of REFLECTOR. Make sure SPRINGS of SOCKET CUP snap into SLOTS of REFLECTOR.

#### 4. PUSH-UP (Fig. D)

Push REFLECTOR TRIM straight up until it is tight against ceiling.

**NOTE:** To remove REFLECTOR TRIM turn REFLECTOR TRIM counterclockwise while pulling downward.



ROTO-CLIP  
POSITION

FIG. E

**WARNING: USE ONLY REFLECTOR TRIMS PROVIDED BY LIGHTOLIER INC. USE OF OTHER MANUFACTURERS' REFLECTOR TRIMS VOIDS THE UNDERWRITERS LABORATORIES LISTING AND COULD CONSTITUTE A FIRE HAZARD.**

**PIN SLOT 2006 AND PINHOLE 2011**

1. Make sure power is OFF.
2. Remove FACEPLATE from REFLECTOR TRIM. Push up REFLECTOR TRIM tight against ceiling.
3. Lamp fixture with the recommended lamp as specified in REFLECTOR TRIM.
4. Push up FACEPLATE into REFLECTOR TRIM (Fig. F, G).

**NOTE:** For Pin Slot No. 2006 make sure SLOT in FACEPLATE is in line with the adjusted lamp position (Fig. H).

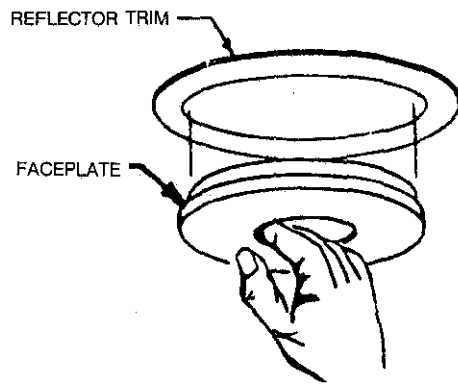


FIG. F

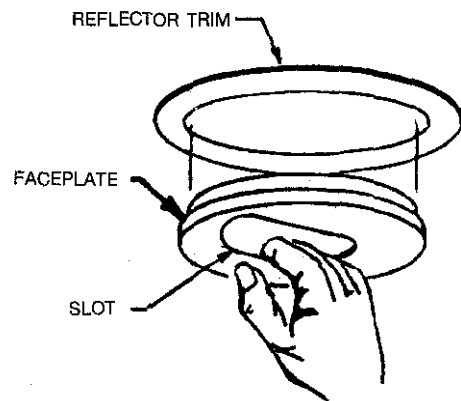


FIG. G

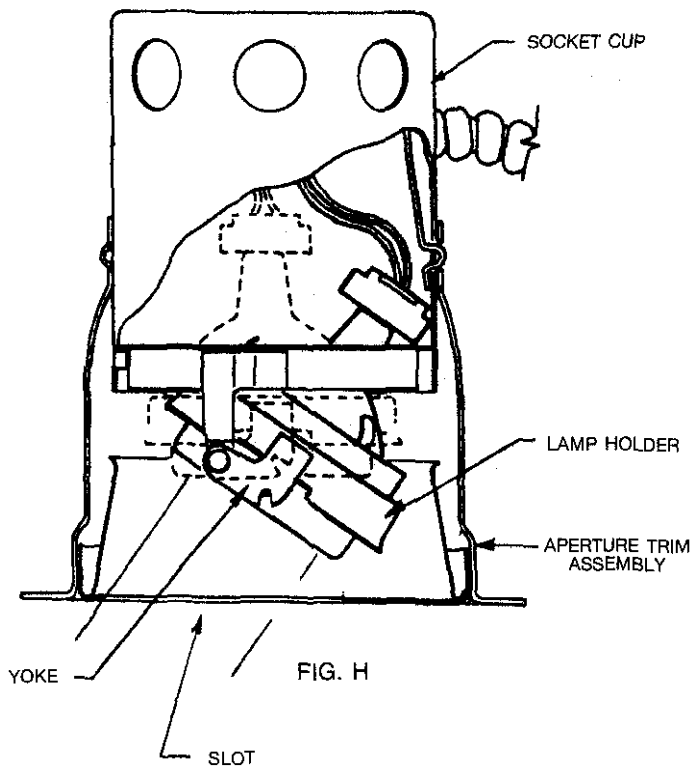


FIG. H