

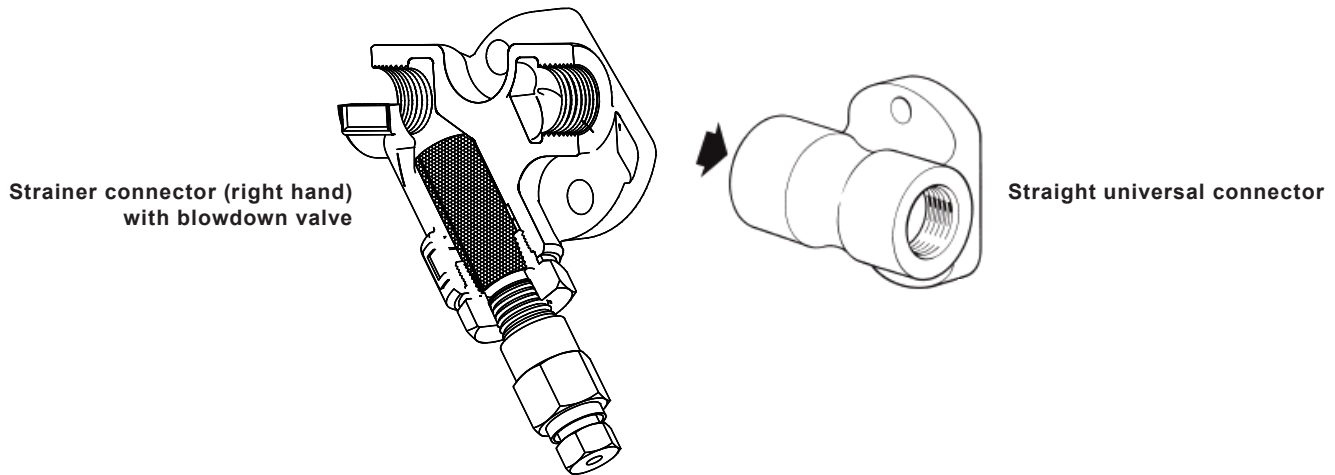


Universal Pipeline Connector (Requires Universal Trap of Choice)

Description

The universal straight connector and the universal strainer connectors for use with UTD52L, UTD52H, UTD52SL, UTD52SH, UTD52L-HP, UFT14, UFT32, UIB30H, UBP32 steam traps. Two bolt quick disconnect design for horizontal and vertical piping installations.

Model	Universal straight and strainer connectors	
PMO	Dependant on trap type	
Sizes	½", ¾", 1"	Trap of choice required.
Connections	NPT, SW to ANSI 16.11	Connectors cannot be used alone.
Construction	Stainless steel (standard)	
Options	Left hand, cast steel socket weld only, with Spiratec sensor see TI-P128-17-US	



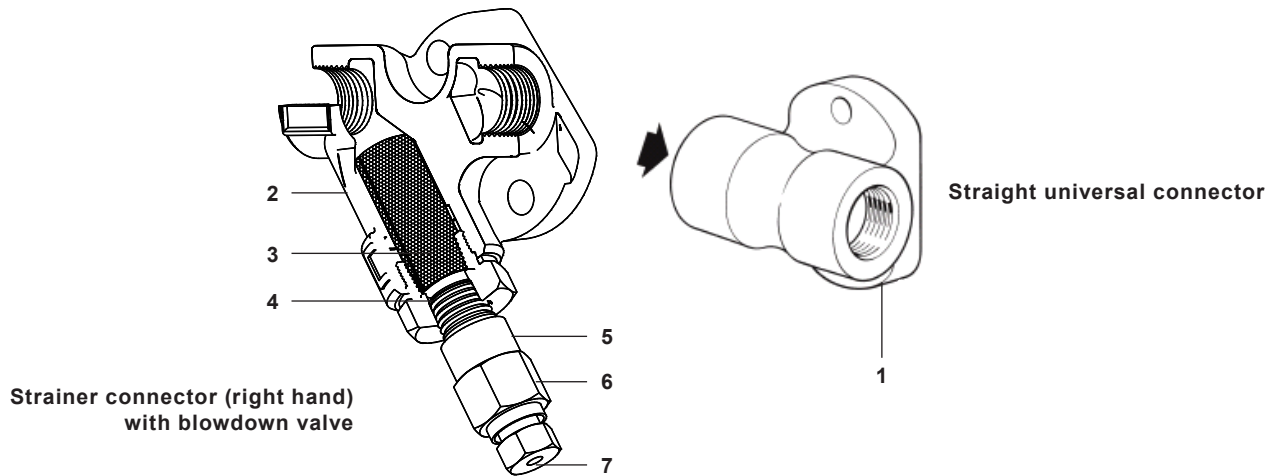
Limiting operating conditions

PMO	Maximum operating pressure: 600 psi g (42 bar g)	Trap may dictate actual PMO if lower when assembled (See trap TIS sheet)
TMO	Maximum operating temperature: 750 °F (400 °C)	Trap may dictate actual TMO if lower when assembled (See trap TIS sheet)

Pressure shell design conditions

PMA	Maximum Allowable pressure:	720 psi g to 100 °F	50 bar g/up to 38 °C	Note: selected trap may dictate max allowable pressures and temperatures
		600 psi g to 750 °F	42 bar g/400 °C	
TMA	Maximum allowable temperature:	750 °F/600 psi g	400 °C/42 bar g	
Designed for a maximum cold hydraulic test pressure of			900 psi g	

Materials



No	Part	Material	
1	Standard straight connector body	Austenitic stainless steel	ASTM A351 CF8
1	CS straight socket weld connector body	Cast Steel	ASTM A216 Gr. WCB
2	Standard strainer connector body	Austenitic stainless steel	ASTM A351 CF8
2	CS strainer connector body	Cast Steel	ASTM A216 Gr. WCB
3	Strainer screen	Austenitic stainless steel (.8 mm perforations)	316L
4	Cap gasket	Austenitic stainless steel	BS 1449 304 S16
5	Strainer cap	Austenitic stainless steel	AISI 303
6	Blowdown valve body	Stainless steel	AISI 303
7	Blowdown valve stem	Stainless steel	AISI 303
8	Blowdown ball head (not shown internal)	Stainless steel	AISI440

Determining whether you need right hand or left hand connector

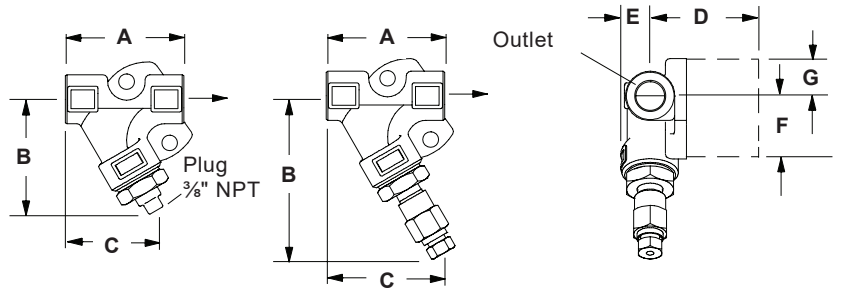
Because of the location or space constraints you may need a right or left hand strainer connector. When straddling the piping in the direction of flow the standard right hand connector will have the trap body facing the left side with the mounting bolt to the right. The left hand strainer connector will have the trap body on the right and the mounting bolts on the left.

Installation

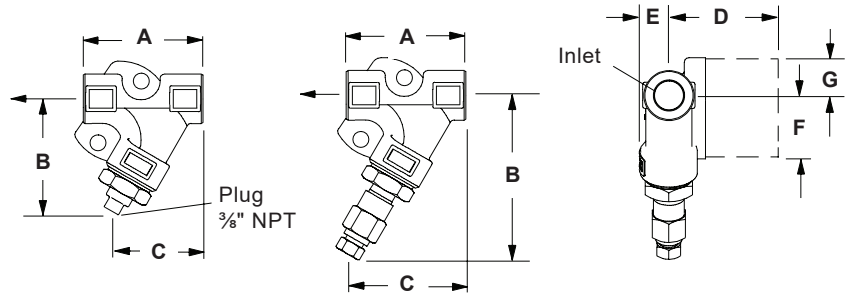
The connector will be installed in a horizontal or vertical pipeline. Full ported isolation valves should be installed up stream and downstream of the connector /trap. The trap shall be fitted as shown on IMI accompanied with the trap.

Dimensions (approximate) in inches

Right hand strainer connector



Left hand strainer connector

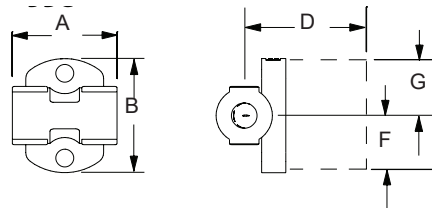


Strainer connector dimensions

Model >	Right hand and left hand standard with 3/8" NPT plug			Right hand and left hand with blowdown valve			All strainer connectors
Size	A	B	C	A	B	C	E
1/2"	3.2	3.1	2.6	3.2	4.4	3.1	.8
3/4"	3.5	3.2	2.8	3.5	4.5	3.3	.8
1"	3.9	3.4	3.0	3.9	4.6	3.5	.8

Straight connector dimensions

Size	A	B
1/2"	2.4	2.7
3/4"	2.8	2.7
1"	3.5	2.7



Trap dimensions from centerline of connector piping all type connectors (inches) and trap TI reference

Model >	UTD52L		UTD52H		UTD52SL		UTD52SH		UFT32		UBP32		UIB30		UIB30H	
Size	D	G	D	G	D	G	D	G	D	F	D	F	D	F	D	F
1/2"	3.3	2.0	3.8	2.1	5.1	2.0	5.4	2.1	7.3	2.6	2.2	1.3	5.0	4.9	6.0	6.3
3/4"	3.3	1.8	3.8	1.9	5.1	1.8	5.4	1.9	7.3	2.4	2.6	1.3	4.9	4.9	6.0	6.3
1"	3.4	1.6	3.8	1.7	5.1	1.6	5.4	1.7	7.3	2.2	3.3	1.3	5.0	4.9	6.3	6.3
TI ref.	2.5161 US		2.5161 US		2.5161 US		2.5161 US		P146-02-US		2.008 US		2.412 US		2.412 US	
IM ref.	2.5161 US		2.5161 US		2.5161 US		2.5161 US		P146-01		P127-02		P113-02		P113-02	

Operation and maintenance

Only the strainer connector with blow down can be operated. Turning blowdown valve counter clockwise ½" to 1" turn. Clock wise to close. Do not use excessive force to close as damage to seating surface could occur.

Before performing any maintenance make sure the unit is isolated and all pressure has been relieved. Replacing strainer screen remove strainer cap and gasket and remove screen. Replace with new screen and gasket and tighten to 125-140 ft-lbs. If blow down valve is replaced tighten to 55 ft-lbs. See trap IMI for all other maintenance.

Sample specification

Steam trap shall be purchased with the pipeline connector, which once installed remains permanently in the pipeline.

Trap shall be attached to the connector by two bolts to enable simple quick rapid installation and replacement.

The connection is designed to allow installation on pipe work that is vertical, horizontal, or any angle in between.

When specified, the connector shall be provided with integral "Y" pattern strainer with or with integral blowdown valve right hand or left hand pattern.

Spare parts

Blowdown valve retro fit kit	4, 5, 6, 7, 8
Strainer screen	3
Strainer cap gasket	4 (package of 3)
Blind flange kit	9

