

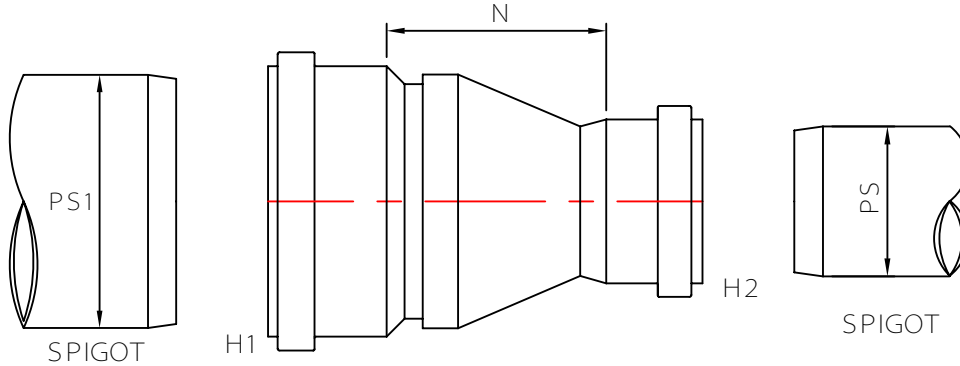


MULTI FITTINGS

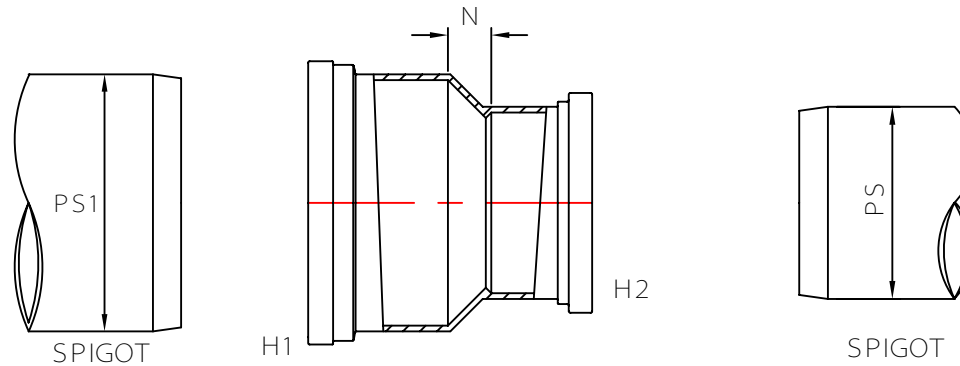
LAYING LENGTH

ISSUE DATE: OCT 30/17
SUPERCEDES: MAR 11/05

INCREASER COUPLING (GxG)



FABRICATED FITTING (F)



INJECTION MOLDED FITTING (M)

PS1 (SEWER)		SIZE H1xH2	PART NUMBER	N REF	PS (SEWER)
6.275	M =	6x4	043882	1.375	4.215
8.400	M =	8x4	043536	2.375	4.215
8.400	M =	8x6	043535	1.500	6.275
10.500	F @	10x8	043531	10.750	8.400
12.500	M =	12x4	143798	4.500	4.215
12.500	M =	12x6	143530	3.500	6.275
12.500	M =	12x8	143532	2.375	8.400
12.500	M =	12x10	143520	1.750	10.500
15.300	F @	15x10	043533	12.000	10.500
15.300	F @	15x12	043534	12.750	12.500
18.701	F @	18x15	043928	15.500	15.300
22.047	F @	21x15	043923	20.000	15.300
22.047	F @	21x18	043921	18.000	18.701
24.803	F @	24x18	043914	21.500	18.701
24.803	F @	24x21	043913	19.000	22.047

Note: = Refer to Page G4 for Hub Detail, Type A

@ Refer to Page G5 for Hub Detail, Fabricated