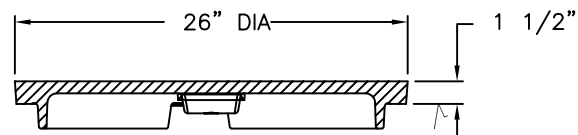
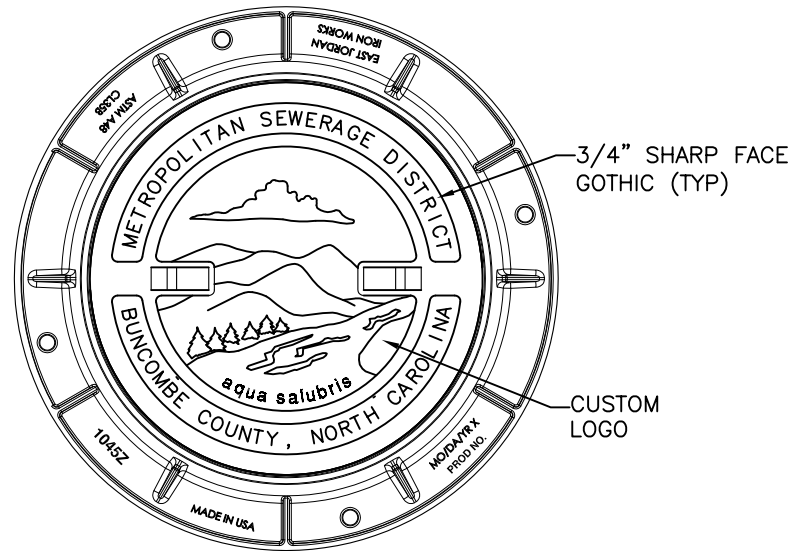
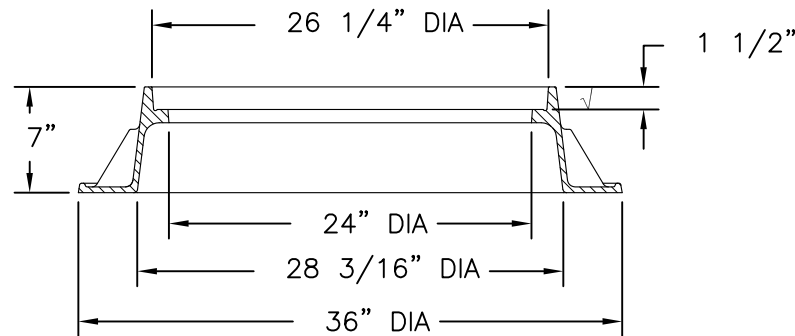


# 1040A 1045Z Assembly



**SECTION VIEW**



**FRAME SECTION**

**Product Number**  
00103707A01

**Design Features**  
-Materials  
Cover  
Gray Iron (CL35B)  
Frame  
Gray Iron (CL35B)

-Design Load  
Heavy Duty  
-Open Area  
n/a  
-Coating  
Undipped  
-√ Designates Machined Surface

**Certification**

- ASTM A48  
-  
- Country of Origin: USA

**Major Components**

00103707  
00104511

**Drawing Revision**

01/20/2010 Designer: GAD  
03/07/2013 Revised By: DJH

**Disclaimer**

Weights (lbs./kg) dimensions (inches/mm) and drawings provided for your guidance. We reserve the right to modify specifications without prior notice.

CONFIDENTIAL: This drawing is the property of EJ GROUP, Inc., and embodies confidential information, registered marks, patents, trade secret information, and/or know how that is the property of EJ GROUP, Inc. Copyright © 2012 EJ GROUP, Inc. All rights reserved.

**Contact**

800 626 4653  
ejco.com