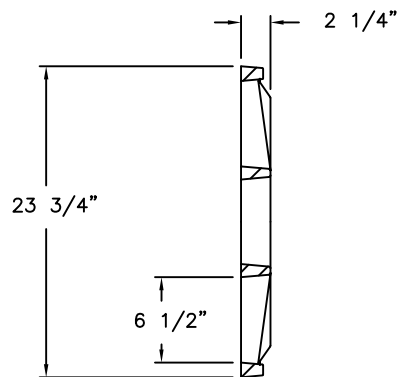
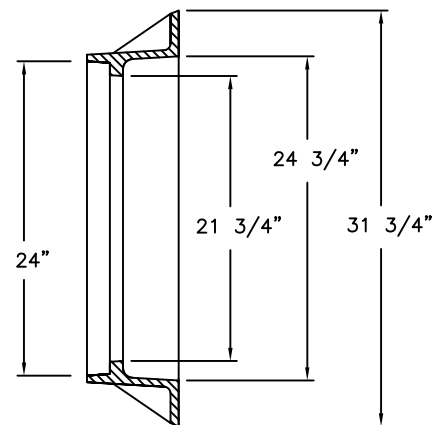


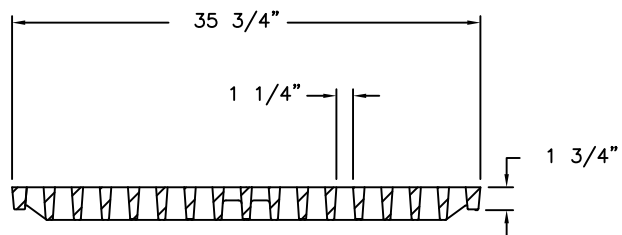
TOP VIEW



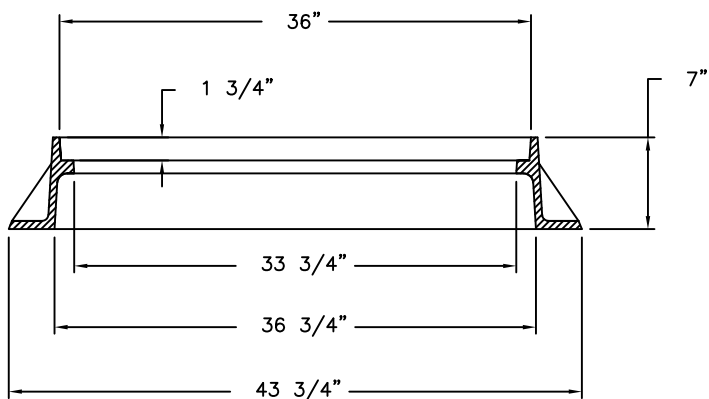
GRATE SECTION



FRAME SECTION



GRATE SECTION



FRAME SECTION

**EJIW EAST JORDAN**  
IRON WORKS EST. 1883

800-626-4653  
www.ejiw.com  
MADE IN USA

PRODUCT NUMBER  
**44867261**

CATALOG NUMBER  
**V4867-2**

**CATCH BASIN  
ASSEMBLY**

LOAD RATING  
**HEAVY DUTY**

COATING  
**UNDIPPED**

MATERIAL SPECIFICATION  
GRATE - GRAY IRON  
ASTM A48 CL35B  
FRAME - GRAY IRON  
ASTM A48 CL35B

OPEN AREA  
390 SQ IN

√ DESIGNATES MACHINED  
SURFACE

DRAWN DEW	DATE 05/31/07
--------------	------------------

LAST REVISED GAD	DATE 10/15/09
---------------------	------------------

REFERENCE INFORMATION

44867010  
44067231