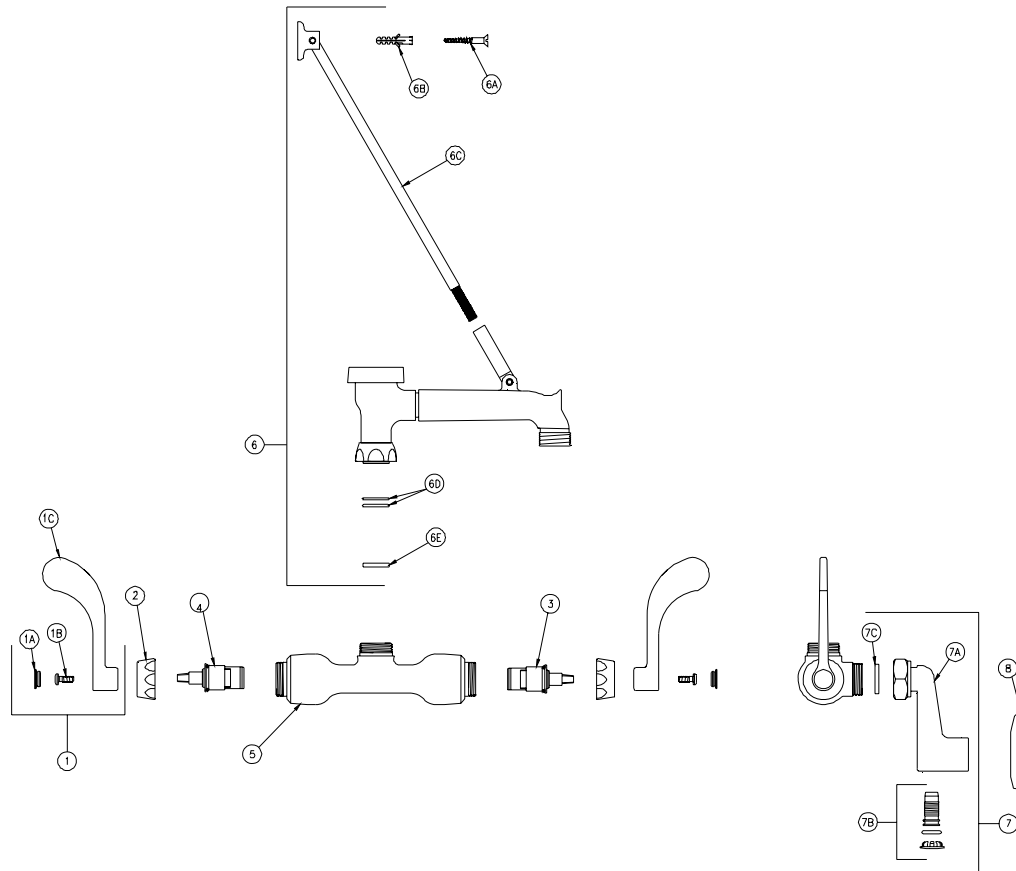


SERVICE SINK FAUCET



Z841M4 Parts List



Item	Part Number	Description	Qty.
1	G60504	4" [102mm] Vandal-Resistant Metal Wrist Blade Handles	1
1A	G60500	Hot/Cold Color-Coded Indexes	1
	59454001	Hot Index	1
	59454002	Cold Index	1
1B	62464001	10-32 Screw	2
1C	59453001	Wrist Blade Handle	2
2	59523001	Handle Nut	2
3	59517002	Short Hot Cartridge	1
4	59517001	Short Cold Cartridge	1
5	59464001	Body	1
6	G60554	5-3/4" Cast Vacuum Breaker 'M' Spout Assembly -PC	1
	6A	62358001 Flat Head Wood Screw	2
	6B	62359001 Plastic Anchor	2
	6C	92377001 Wall Bracket/Rod Assembly	1
	6D	58155018 O-Ring	2
	6E	59436001 Spacer Washer	1
7	G60528	Long Supply Arm and Integral Stop Assembly	2
	7A	60810003 Long Supply Arm	1
	7B	G60527 Screwdriver Integral Stop Assembly	1
		59536001 Stop Plug	1
		58155013 O-Ring	1
		59667001 Hole Plug	1
	7C	59748001 Gasket	2
8	G65300	Escutcheon Assembly	2

ZURN INDUSTRIES, LLC ♦ COMMERCIAL BRASS OPERATION ♦ 2640 SOUTH WORK STREET ♦ FALCONER NY 14733

Phone: 1-800-997-3876 ♦ Fax: 1-919-775-3541 ♦ www.zurn.com

In Canada: ZURN INDUSTRIES LIMITED ♦ 3544 Nashua Drive ♦ Mississauga, Ontario L4V1L2 ♦ Phone: 905/405-8272 Fax: 905/405-1292