

Features

- End drain.
- Integral lumbar support.
- 59" (1499 mm) x 27-1/2" (699 mm) x 16-3/4" (425 mm)

Material

- Cast iron with Safeguard® finish.

Installation

- Drop-in

Required Accessories

K- 7161-AF Bath Drain

or

K- 7213 27" Cable Bath Drain

K- 7214 27" Cable Bath Drain

Recommended Accessories

K- 18416 Adjustable Feet



Codes/Standards



ASME A112.19.1/CSA B45.2

KOHLER® Lifetime Limited Warranty for Cast Iron Components

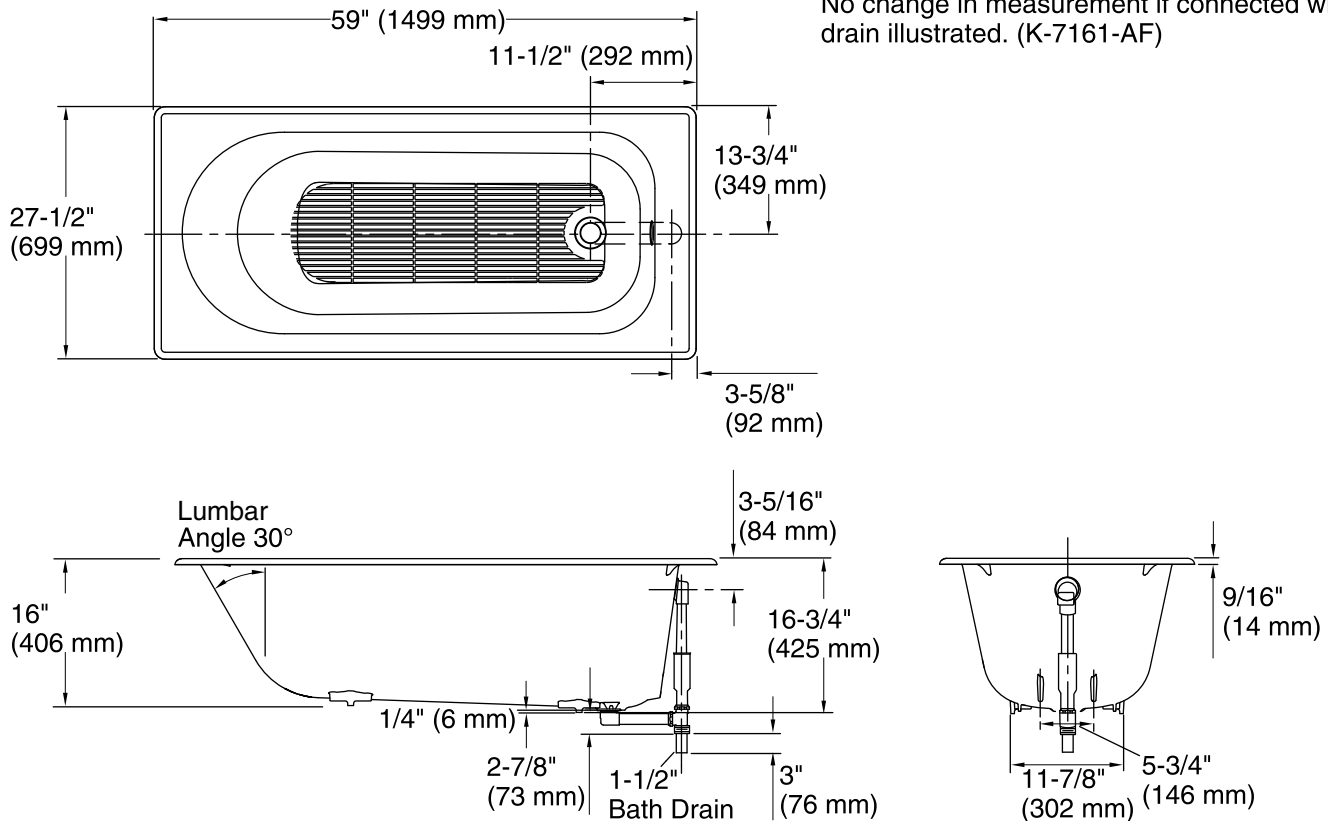
See website for detailed warranty information.

Available Color/Finishes

Color tiles intended for reference only.

Color	Code	Description
	0	White
	96	Biscuit

No change in measurement if connected with drain illustrated. (K-7161-AF)



Technical Information

All product dimensions are nominal.

Installation:	Drop-in
Drain location:	End
Basin area, bottom:	43-7/8" x 17-5/16" (1114 mm x 440 mm)
Basin area, top:	51-7/16" x 21-15/16" (1307 mm x 557 mm)
Weight:	232 lbs (105.2 kg)
Minimum floor load:	50 lbs/ft ² (244.1 kg/m ²)
Water depth:	11-5/16" (287 mm)
Water capacity:	33.4 gal (126.4 L)
Cutout:	Drop-in, 57-1/2" x 26" (1461 mm x 660 mm)

Notes

Measure your actual product for rough-in details.

Install this product according to the installation instructions.

The hot water supply should be 70% of the capacity of the bath or greater. Installations will vary.