



Buy it for looks. Buy it for life.®

Specifications

DESCRIPTION

- Various finishes identified by suffix
- 24" slide bar with push button height selection

OPERATION

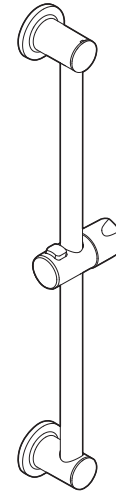
- Handshower holder rotates to adjust angle of handshower

STANDARDS

- Designed and manufactured to comply with the applicable requirements of WaterSense®, ASME A112.18.1/CSA B-125.1, ASSE 1014 and all applicable specifications referenced therein

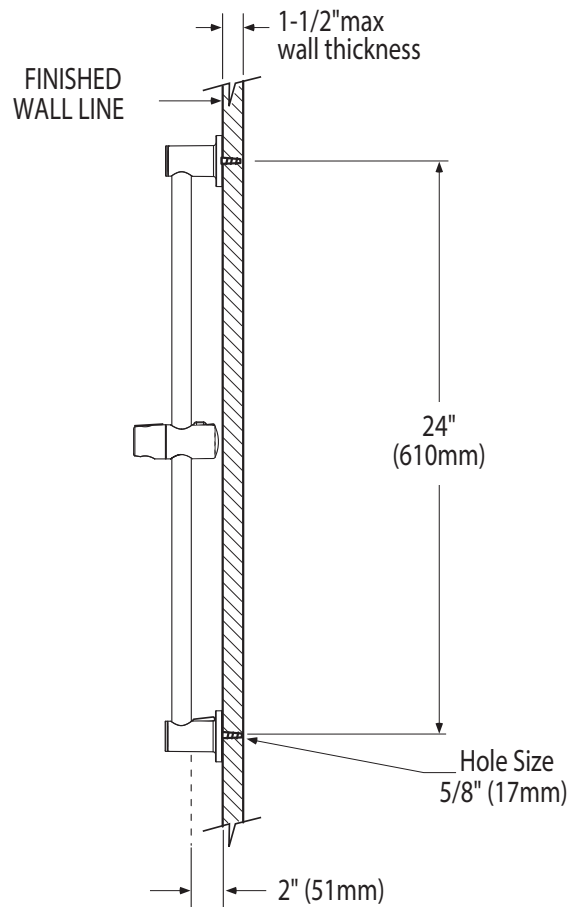
WARRANTY

- Limited lifetime warranty against materials or manufacturing defects



24" Slide Bar

Model: 155746 series



CRITICAL DIMENSIONS

(DO NOT SCALE)