



Buy it for looks. Buy it for life.®

Specifications

DESCRIPTION

- Handheld shower available in various finishes identified by suffix
- 69" double interlock spiral hose (metal)
- Double check valve in handle
- Adjustable wall bracket

OPERATION

- Single function
- Wall bracket rotates to adjust angle of hand shower

FLOW

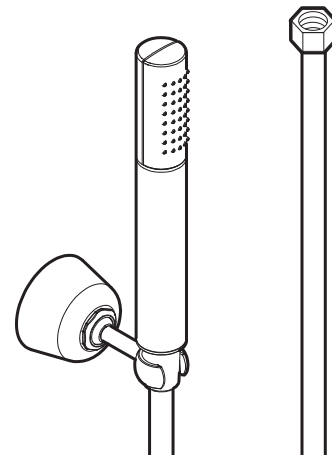
- EP suffix models are limited to 2.0 gpm (6.7 L/min) max at 80 psi

STANDARDS

- Designed and manufactured to comply with the applicable requirements of ASME A112.18.1/CSA B-125.1, ASSE 1014 and all applicable specifications referenced therein

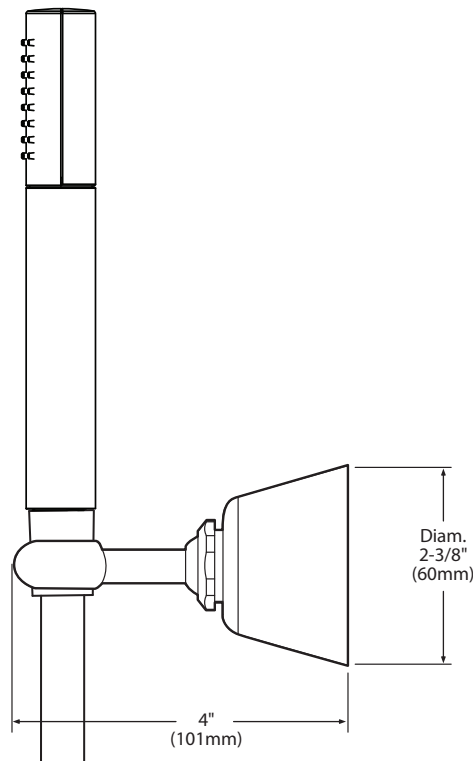
WARRANTY

- Limited lifetime warranty against material or manufacturing defects



Handshower with Bracket & Hose

Model: S11705 series



CRITICAL DIMENSIONS

(DO NOT SCALE)