

1/4" FRAMELESS CONTINUOUS HINGE SHOWER ENCLOSURE



INSTALLATION NOTES: Unpack your unit carefully and inspect for freight damage. Lay out and identify all parts using the instruction sheet as a reference. Before discarding the carton, check to see that no small hardware parts have fallen to the bottom of the box. If any parts are damaged or missing, refer to the descriptions noted in the instructions when contacting your dealer for replacements.

Handle the glass panel(s) carefully and protect the edges.

Please wear safety glasses whenever drilling or cutting. When drilling holes in ceramic tile or marble, use a center punch and hammer to carefully break the surface glaze so the drill bit can start without skidding.

To install your shower door, you will need the following: tape measure, level(s), #2 Phillips screwdriver, drill, 1/8" & 3/16" High Speed Steel drill bits, hacksaw, pencil, sharp knife or razor blade and caulking (clear, mildew resistant silicone recommended). Optional tools include a miter box for cutting metal parts, file, center punch and masking tape. An additional 3/16" Masonry drill bit is recommended for tiled applications.

The door is best installed with two people.

NOTE: Tempered glass cannot be cut.

Although safety tempered glass is very resistant to breakage, the glass can still break if unequal pressure is placed on it during installation. Use caution! In addition, the sharp corners of the panel can damage tile and floor surfaces, so its best to handle the glass panels carefully and protect the edges.

MAINTENANCE: Two primary materials are used to manufacture your new shower enclosure: tempered glass and anodized aluminum. To assure a long lasting finish on the enclosure, wipe it down with a towel after each use. Never use a scouring pad/agent to clean the aluminum.

For occasional, more concentrated cleaning efforts, we recommend using *LYSOL*TM Non-Abrasive Bathroom Cleaner works extremely well. Be sure that any over spray falling on the aluminum frame is rinsed thoroughly and dried. Many over-the-counter cleaners, if applied to aluminum and left on, will harm the finish and cause permanent damage, even though their directions indicate safe use on shower doors.

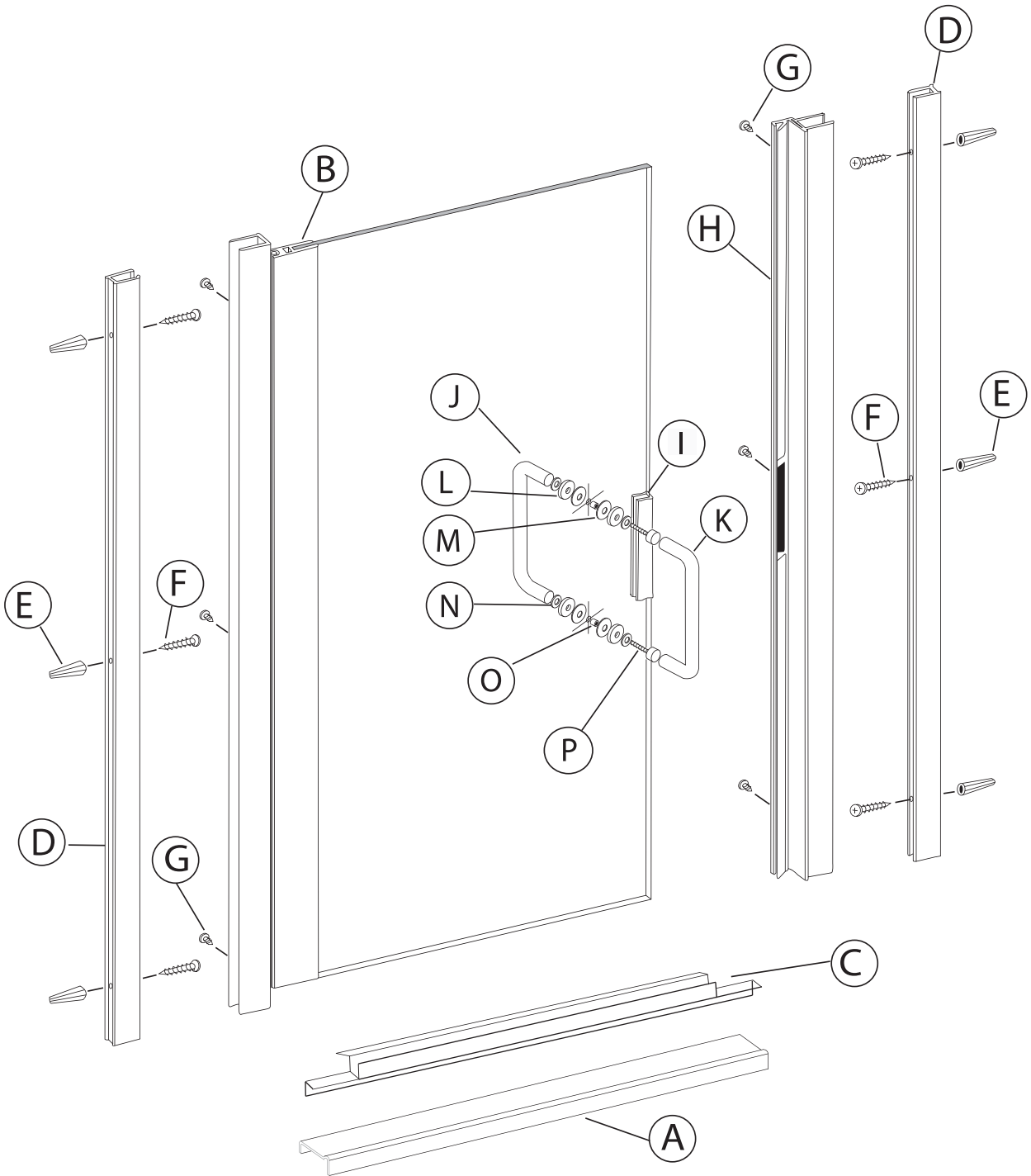
For glass treated with AquaGlideTM, read the following instructions:

After each use of your shower, use a small plastic bowl, pitcher or a hand held shower head to spray the shower doors with clean cold water. Pour or spray the cold water along the top edge of the glass. The majority of the shower's soapy residual water will drain off. Use a small hand towel to pat dry the remaining droplets or use a squeegee to clear the droplets.

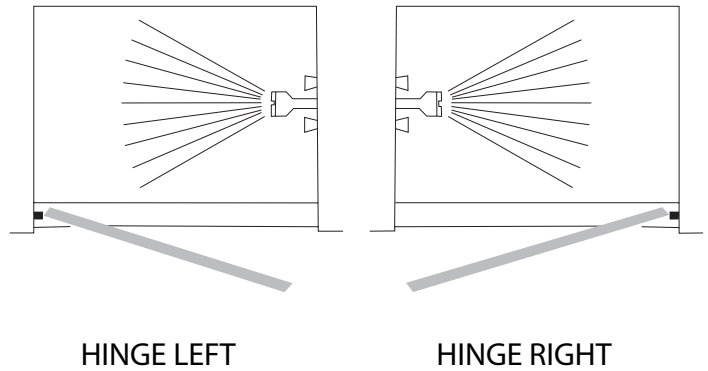
Once a month, use a nylon sponge to go over the wet glass, rubbing in a circular motion. You should feel "sticky" places going back to slick again. Then pour water along the top edge of the glass, as you do after each shower use.

1/4" FRAMELESS DOOR PARTS

- A. Shower Curb (1)
- B. Glazed Door Panel Assembly (1)
- C. Clear Bottom Sweep (1)
- D. Wall Jambs (2)
- E. Plastic Wall Anchors (6)
- F. #8 x 1 1/2" Truss Head Screws (6)
- G. #6 x 3/8" Tech Screws (self-tapping) (6)
- H. Strike Jamb w/ Magnet & Vinyl (1)
- I. Latch w/ Strike Plate & Vinyl (1)
- J - P. Handle Assembly (1)
(see supplement Pg.9 or Pg.10)



1 The 1/4" frameless door is completely reversible and may be installed hinge-right or hinge-left. Refer to the illustration to determine the best hinge position for your installation. For maximum waterproofing, the hinge jamb should always be opposite the shower head. The following instructions depict a hinge-left installation.

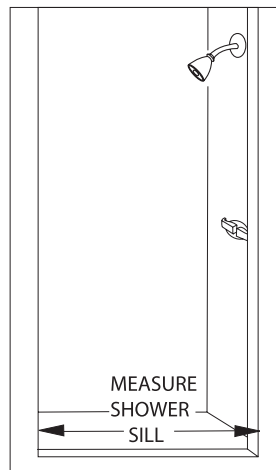


CAUTION: For safety purposes, the door must *always* open outward!

NOTE: To allow for this unit to be reversible, the hinge jamb extends 9/16" beyond both ends of the door panel. Once the hinge-side of the door has been determined (see above), the 9/16" extension can be cut off from the **TOP** only for a more streamlined finished look. (If this is done, don't forget to cut 9/16" off the top of the longer wall jamb as well).

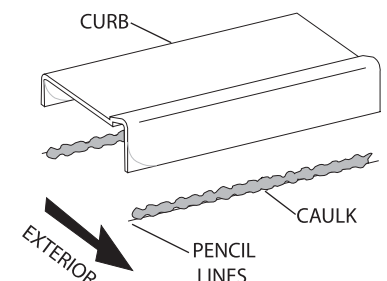
TIP: Temporarily cover the drain on the inside of the shower with some tape or a large piece of cardboard to prevent small screws, drill bits, etc from disappearing.

2 **NOTE:** The unit may be installed without using the provided sloped curb [A]. Its use is definitely recommended for positive water control when installed on shower sills with little or no slope. If it is not used, skip this step.



Measure the finished wall-to-wall opening at the shower sill and cut the curb to that exact length. File the ends of the curb as necessary to fit the corners of the opening. Place the curb on the shower sill, with the **RAISED** side to the exterior of the enclosure. Make sure the curb is centered on the sill and lightly mark its position, both inside and out, on the sill with a pencil.

Remove the curb from the sill and run two beads of silicone inside of the pencil marks on the shower sill. Place the curb back in the exact same position as marked. Use a few pieces of tape, placed over the curb from inside to outside, to hold the curb in place during the remainder of the installation.



3 **NOTE:** Wall jambs for this unit are different lengths. Be sure to use the **longer** wall jamb on the designated **hinge** side.

Place the **longer** wall jamb [D] against the **hinge** side wall with the bottom end 3/16" for the start of the raised lip on the curb (see illustration). Plumb the wall jamb with a level and mark the three hole locations on the wall. Repeat using the *shorter* wall jamb on the *strike* side wall.

Set the wall jambs to the side and drill the holes for the mounting hardware.

Tile or marble walls:

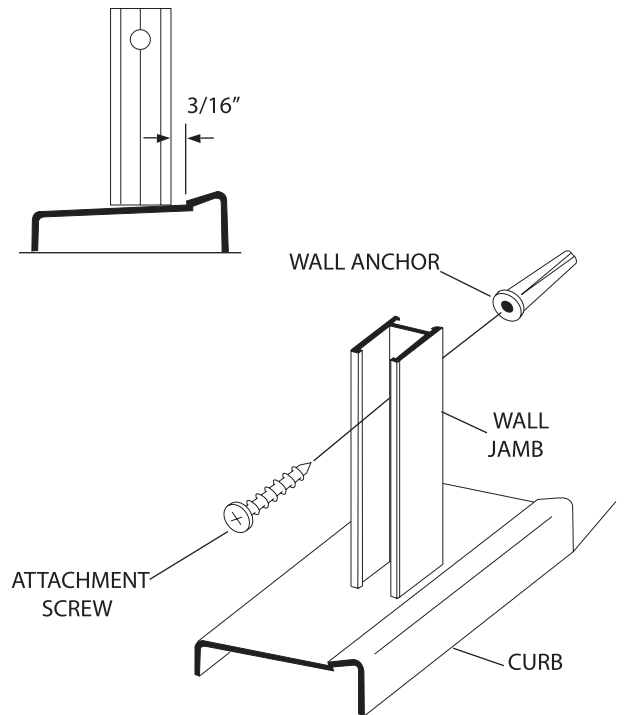
Drill 3/16" diameter holes into the walls and insert the plastic wall anchors [E].

Fiberglass or acrylic units can be done two different ways:

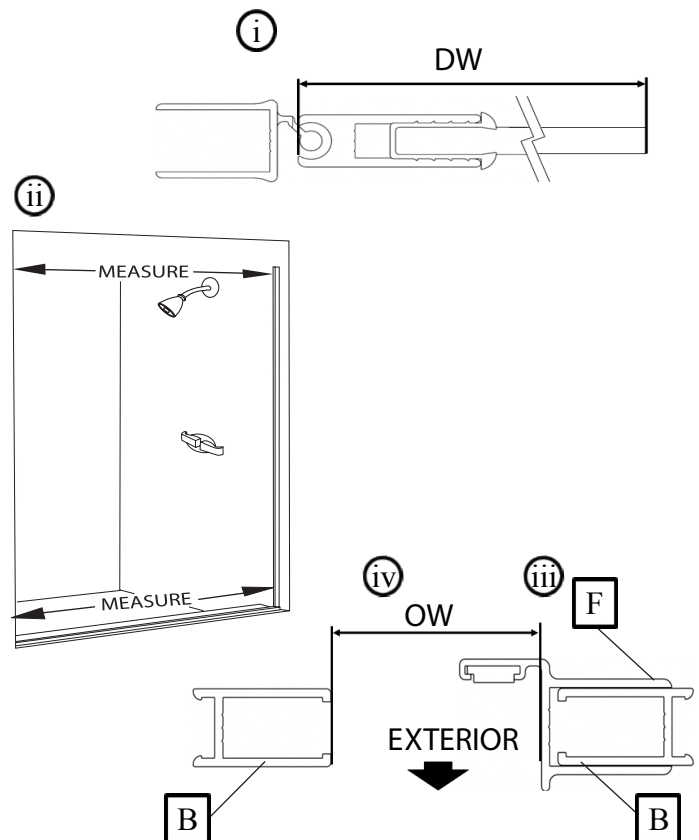
If the walls are not reinforced, drill 3/16" diameter holes and insert the the plastic wall anchors. (Toggle bolts may be used instead but they are not provided).

If the walls are reinforced, only drill 1/8" diameter holes.

Attach the correct wall jamb to each wall using the #8 x 1 1/2" truss head screw [F].



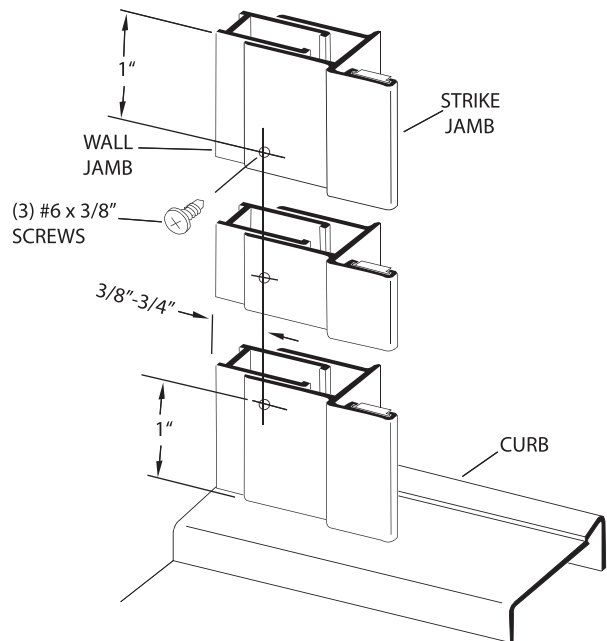
- 4**
- i. Measure the Door Width (DW) and write it down.
 - ii. Measure the wall-to-wall distances at the top and bottom of the wall jambs and find the smaller dimension. If both dimensions are the same then use the bottom as the smaller.
 - iii. Slide the strike jamb [F] over the mounted wall jamb [B] with the magnet facing the exterior of the shower and make sure it is plumb.
 - iv. Measure the Opening Width (OW) from the strike jamb [F] to the opposite wall jamb [B] at the point of the smaller dimension found earlier.
 - v. If OW is greater than $(DW + 3/8")$ AND less than $(DW + 7/8")$ then the mark the location of the Strike Jamb with a pencil. Skip to Step 5.
 - a. _____ $(DW) + .375" >$ _____ (OW)
 - AND
 - b. _____ $(DW) + .875" <$ _____ (OW)
 - vi. If not between measurements, slide the strike jamb in or out until it satisfies the above. Be sure to keep it plumb.



5 Inside the shower enclosure, using the pencil marks on the wall jambs from the previous step, drill two 1/8" holes through the strike jamb [H] and into the wall jamb 3/8" to 3/4" from the wall and approximately 1" down from the top and up from the bottom of the strike jamb. Drill a third hole centered between the first two.

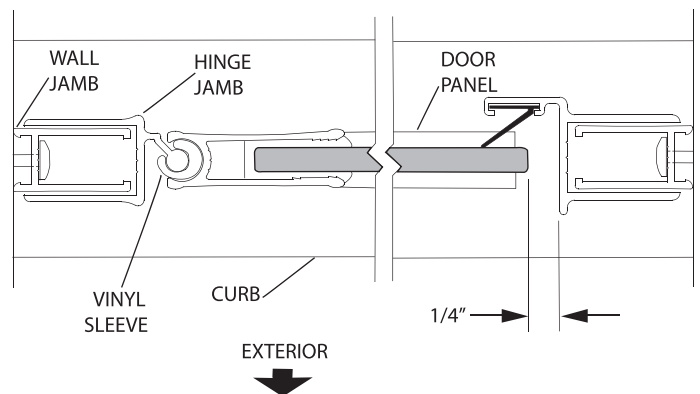
Remove the strike jamb and enlarge the three holes in the *strike jamb only* to allow clearance for the screws.

Attach the strike jamb permanently with three #6 x 3/8" pan head screws [G].



6 Slide the hinge jamb of the door panel assembly over the mounted wall jamb so the door will open outward. Adjust the door panel assembly so there is a 1/4" clearance between the strike jamb and the strike edge of the glass door with it being in the closed position.

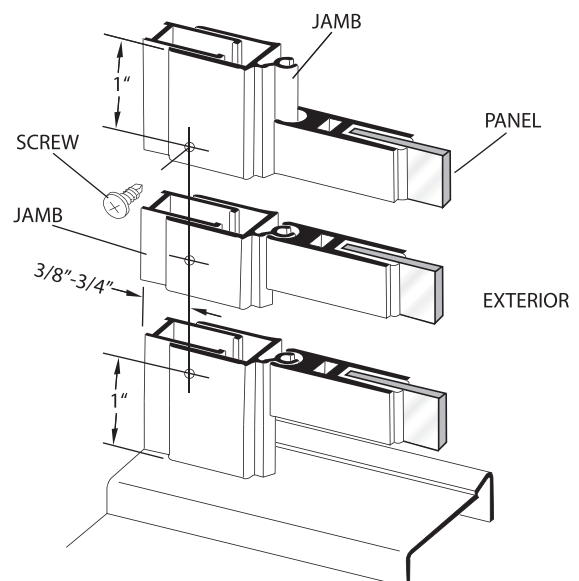
Mark the location of the hinge jamb on the wall jamb with a pencil.



7 Inside the shower enclosure, using the pencil marks on the wall jambs from the previous step, drill two 1/8" holes through the hinge jamb of the door panel assembly and into the wall jamb 3/8" to 3/4" from the wall and approximately 1" down from the top and up from the bottom of the hinge jamb. Drill a third hole centered between the first two.

Remove the door panel assembly and enlarge the three holes in the *hinge jamb only* to allow clearance for the screws.

Attach the door panel assembly permanently with three #6 x 3/8" pan head screws.

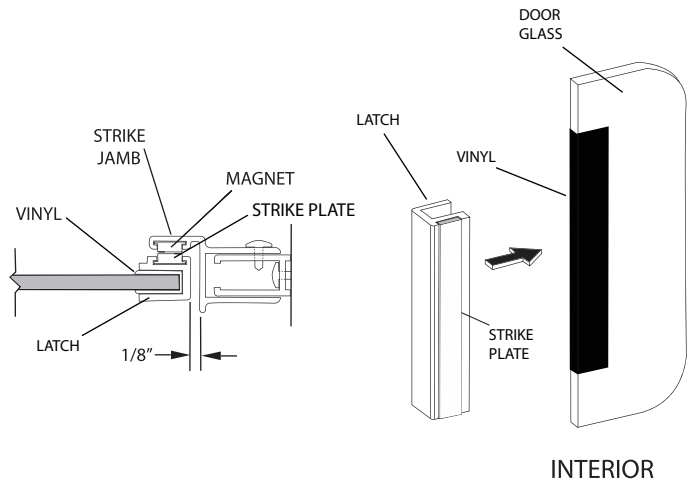


8 Slide the door latch [I] onto the strike side of the door panel. Close the door and slide the latch up and down until the magnet and strike plate are aligned. Use a pencil and/or masking tape to mark the location of the latch on the door.

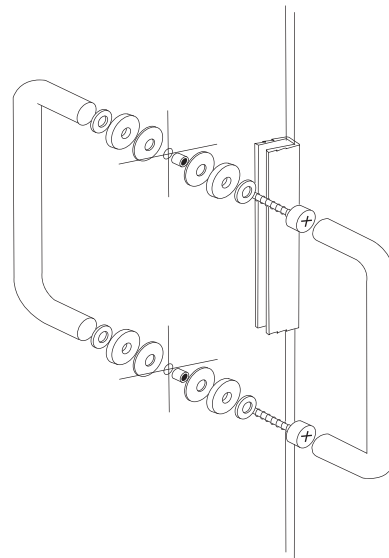
Fold the vinyl material [over the strike edge of the door and carefully drive the latch onto the door panel using a rubber or plastic mallet.

Close the door and check for proper operation of the latch and magnet. (If adjustment is needed, use a rubber or plastic mallet and a wood block and lightly tap into place). Trim the excess vinyl off with a utility knife.

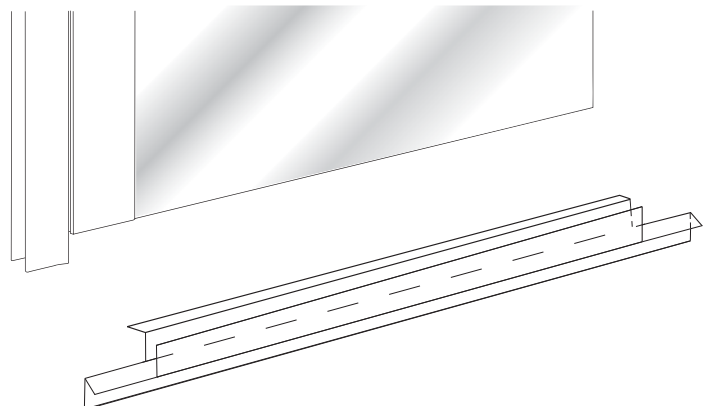
NOTE: NEVER hit the door latch with a metal hammer!!



9 See supplement instruction sheets for installation of either the double-sided “C” pull handle or the “C” pull handle/towel bar combo.

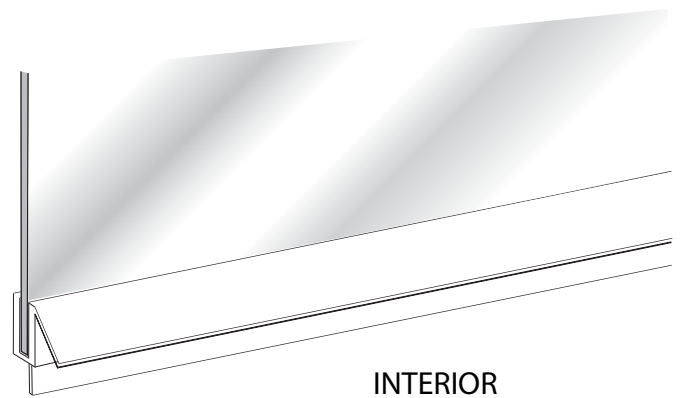


10 **NOTE:** The clear bottom sweep [C] is notched on both ends. For installation, determine if the door is hinge right or hinge left.



11 Align the clear bottom sweep to the bottom of the door with the deflector lip on the inside of the shower door. Mark the strike side of the bottom sweep even with the strike edge of the door.

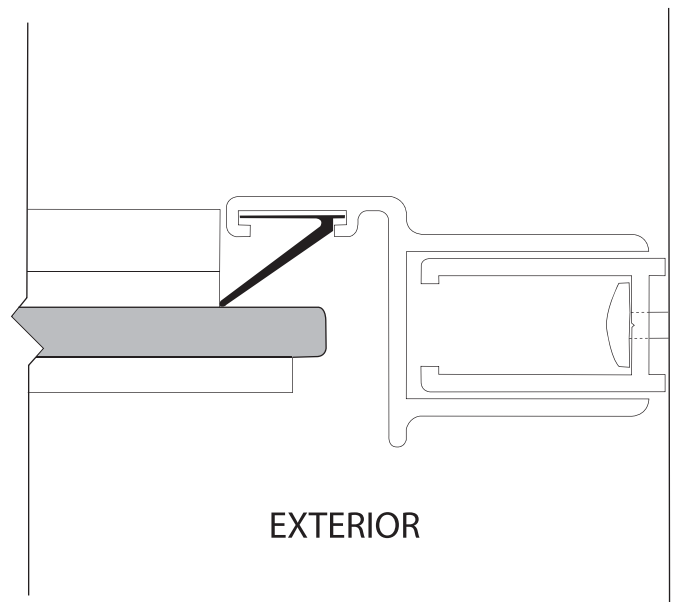
Cut the sweep leaving the notched part under the metal rail.



12 Place the sweep onto the bottom of the door. Stand inside the shower, close the door and mark the deflector part of the sweep at the inside edge of the strike jamb.

Open the door and remove the sweep. Notch the inside portion of the sweep so the door glass will close tightly to the strike jamb vinyl.

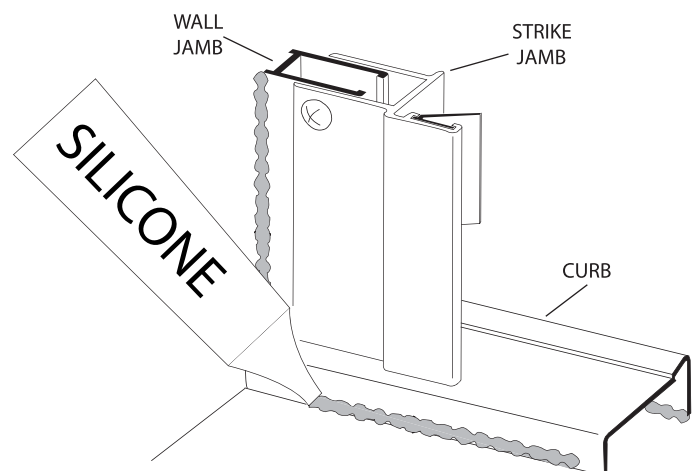
Place the sweep back on the door and check for clearance.



13 Carefully silicone the seam between the walls and the wall jambs as well as the curb and threshold on the inside of the shower.

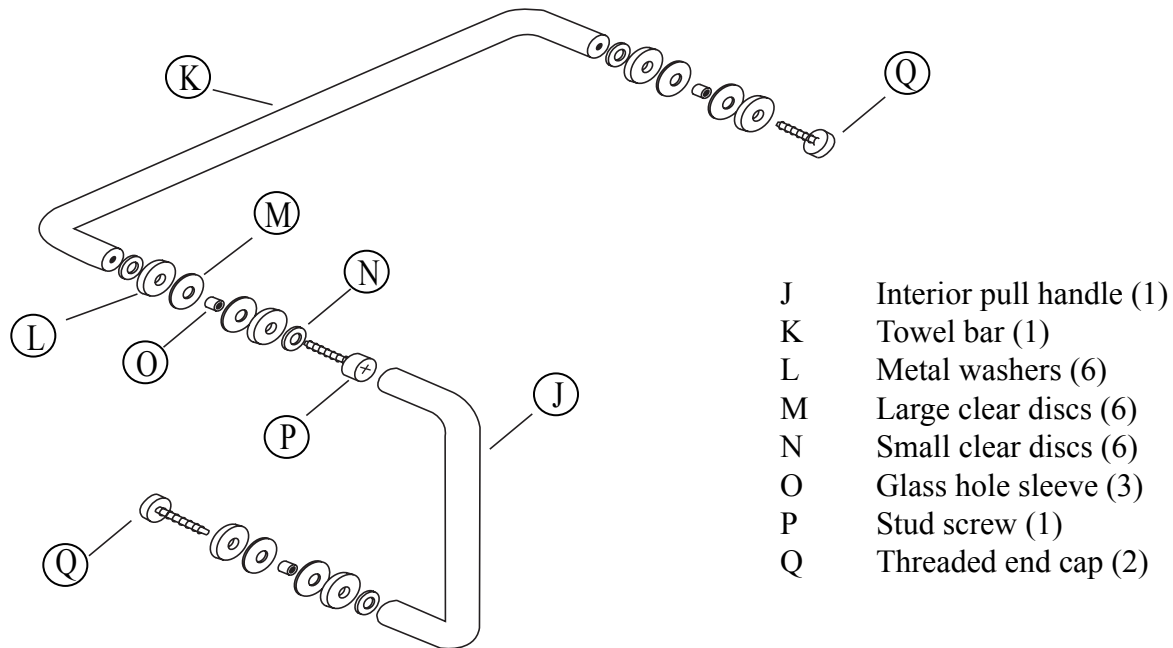
NOTE: Silicone on the exterior seam is optional.

DO NOT USE the shower until the silicone is completely cured. Check the tube of silicone for the manufacturer recommended cure time. (typically 24 - 48 hours)



“C” Pull Handle / Towel Bar Combination Installation Instructions

There are eleven hardware components for the combination pull/towel bar mounting: Six 1 1/4” metal washers, one towel bar, one “C” pull, two end caps with threaded studs, one stud head screw. In addition to these hardware parts, there are six clear gaskets that act as a buffer between the hardware and the glass.

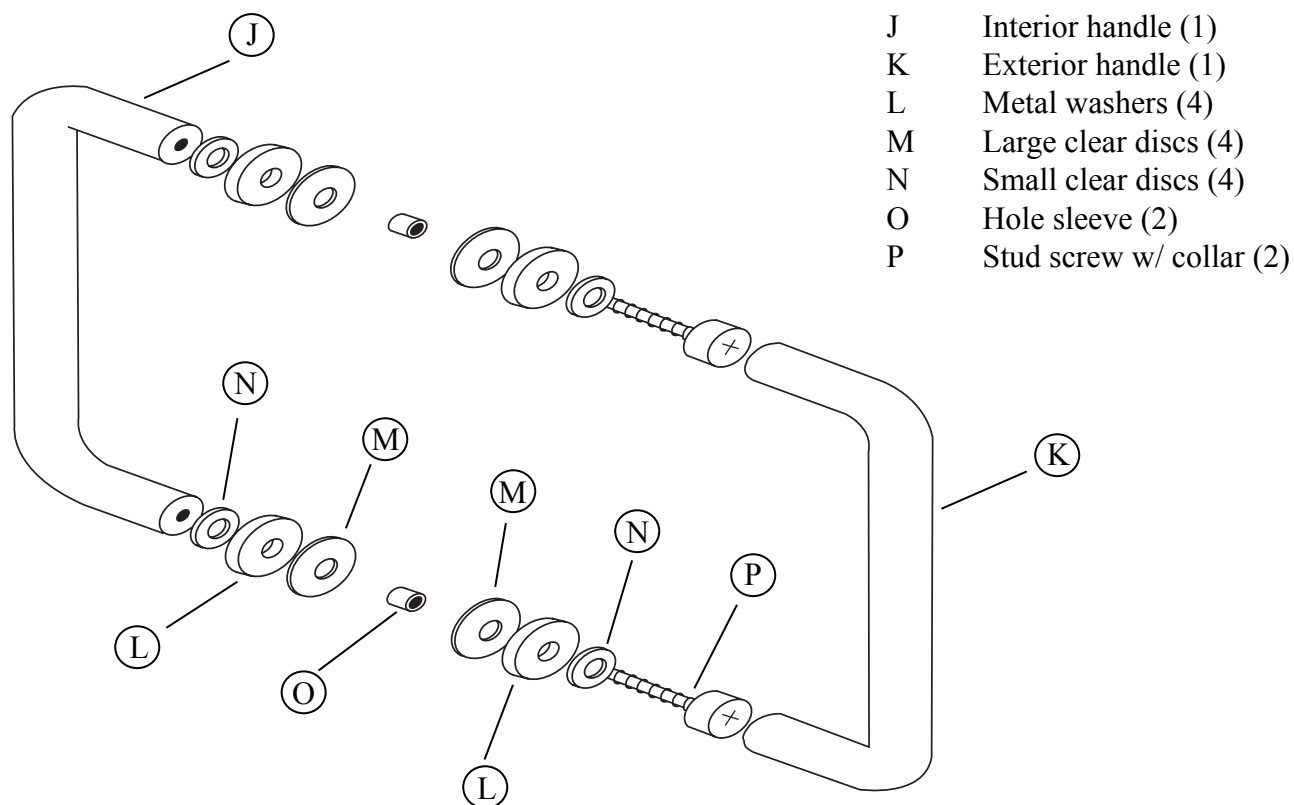


STEP 1 Take the stud head screw and sleeve a 1 1/4” washer on it. Now take both end caps with a threaded stud protruding and sleeve a 1 1/4” washer on them. Sleeve a clear gasket on each of the screws.

STEP 2 The towel bar will be mounted first. Take the stud head screw with the washer and gasket attached and, from the inside of the enclosure, push the threaded portion through the top hole in the glass on the *strike* side of the door. Place a clear gasket and then a 1 1/4” washer over the stud head screw on the outside of the glass door. Next, thread the stud head screw into the towel bar and tighten. On the other end of the towel bar, on the *hinge* side, push one of the end caps with the protruding threaded stud through the hole in the glass. Now place a clear disc and then a 1 1/4” washer over the threaded stud on the outside of the glass door. Thread the end cap into the towel bar and tighten by hand. Tighten both components, the stud head screw with a screw driver and the end cap using a small allen wrench in the hole in the side of the end cap.

STEP 3 Place a plastic disc over the end cap and, from the outside of the enclosure, push the end cap with the protruding threaded stud through the bottom hole in the door glass. Next, thread the stud into the small threaded opening of the pull handle. Do not fully tighten yet. Place the end of the pull handle with the large hole and the set screw over the stud head. Now tighten the end cap as tight as possible using a small allen wrench in the hole in the side of the end cap. Use the larger allen wrench to tighten the set screw, in the under side of the pull handle, to the stud head screw.

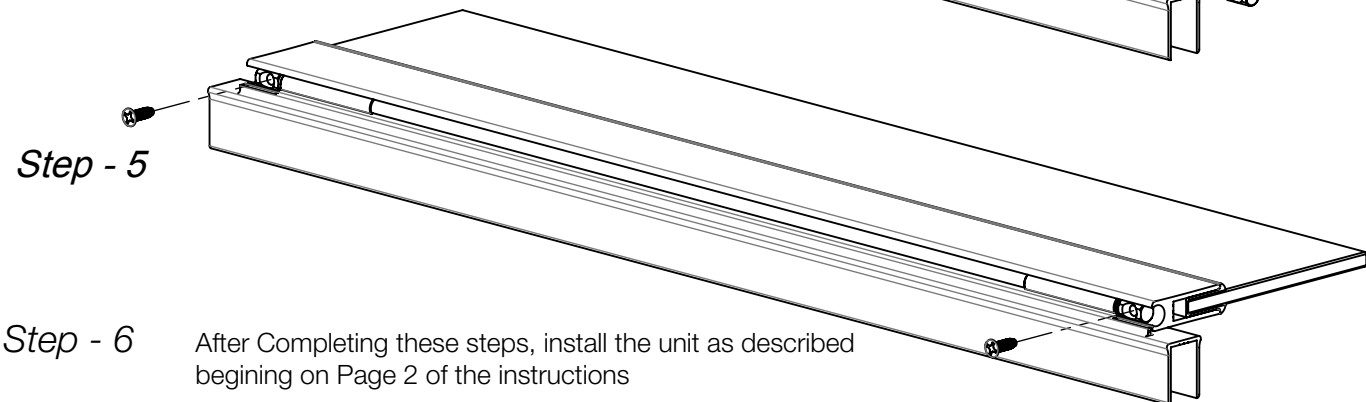
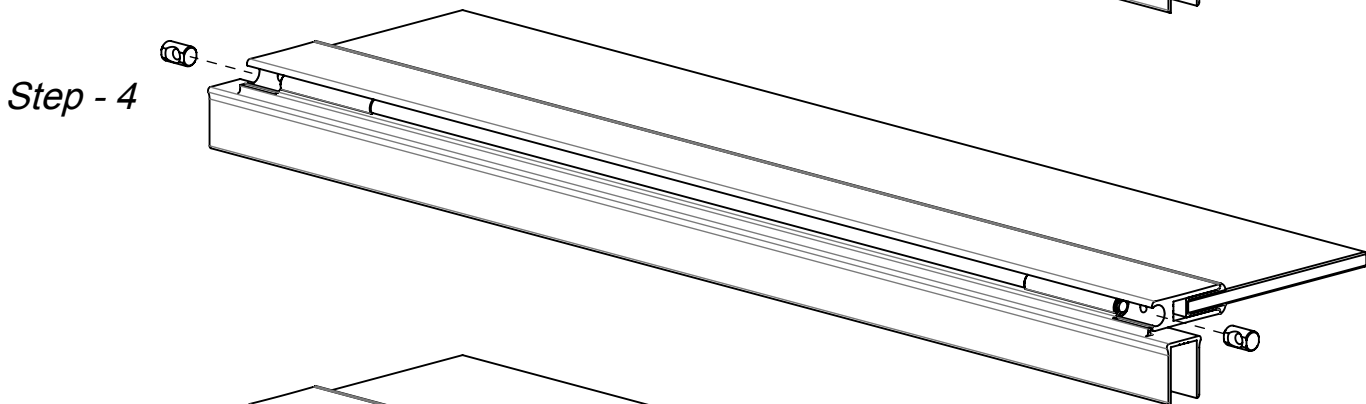
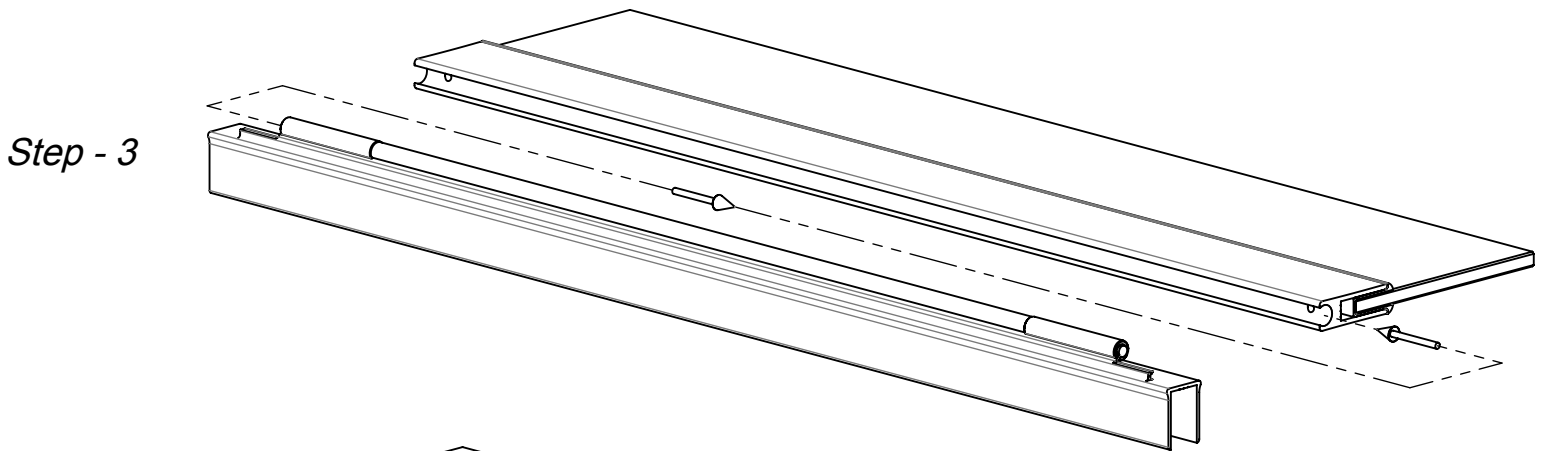
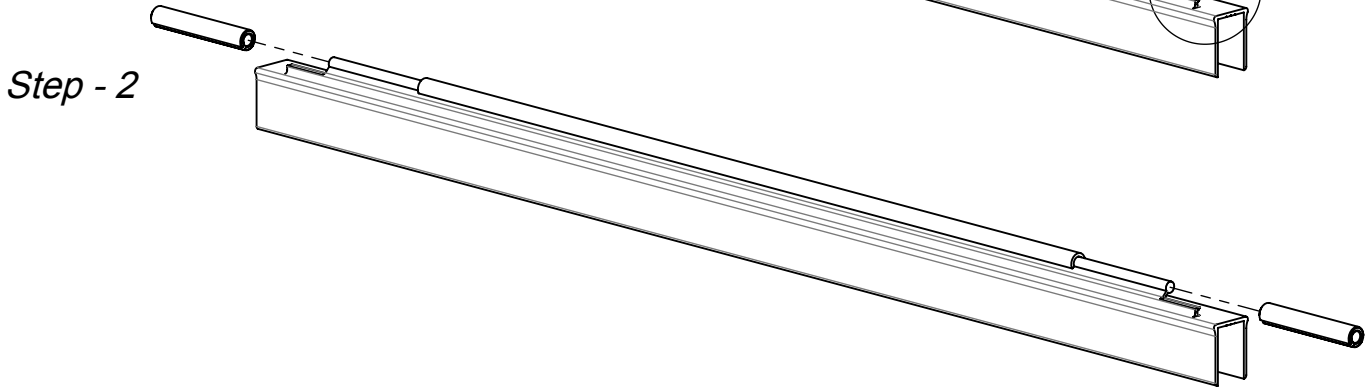
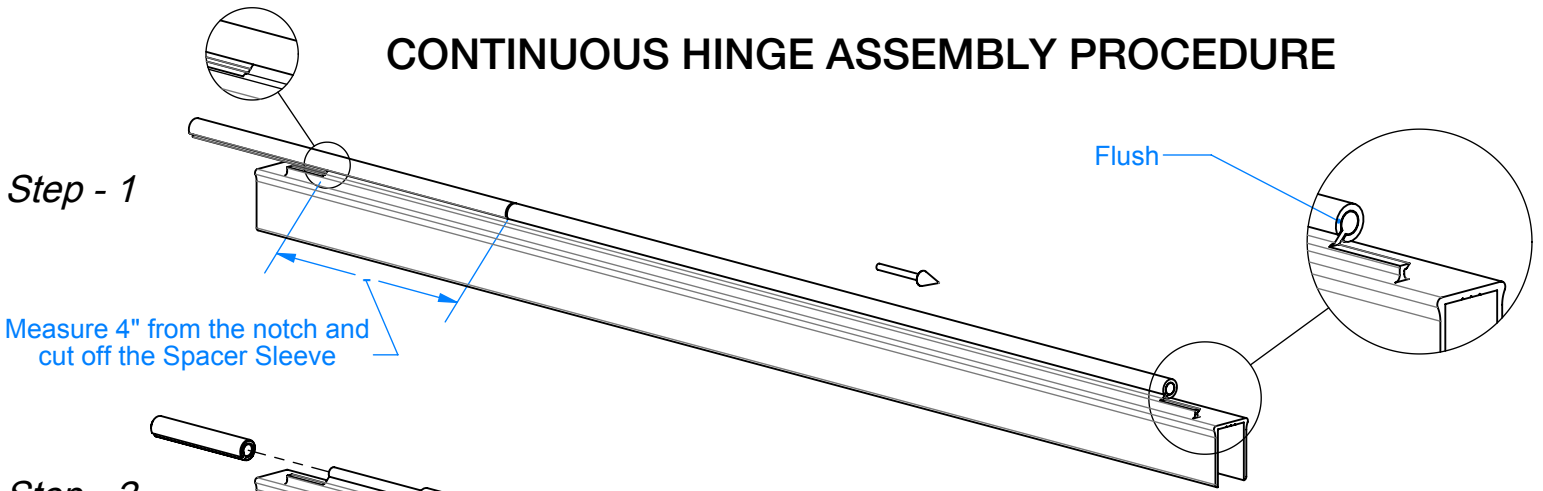
Back-to-Back Door Pull Installation Instructions



- J Interior handle (1)
- K Exterior handle (1)
- L Metal washers (4)
- M Large clear discs (4)
- N Small clear discs (4)
- O Hole sleeve (2)
- P Stud screw w/ collar (2)

- STEP 1** Using the provided Allen wrench, loosen the two set screws located on the under side of one of the handles near the washers. Separate the handle from the stud screws and collars.
- STEP 2** Using a Phillips-head screwdriver, loosen and carefully remove the stud screws, collars, clear discs and glass hole sleeve from the other handle.
- STEP 3** Remove the interior metal washer, large and small clear disc from the stud screw, leaving the exterior washer, clear discs and hole sleeve on the stud screw with the collar. Careful not to lose any of the pieces.
- STEP 4** From the outside of the door, push the stud screw with collar through the hole in the glass. Be sure the hole sleeve is between the threads of the screw and the glass.
- STEP 5** From the inside of the door, slide the large clear disc onto the screw. Next, slide the metal washer then the small clear disc over the screw. Finally, thread the screw into the interior handle (the one with the smaller threaded holes). Don't tighten. Install the other stud screw with collar and washers through the other handle hole in the glass. After both stud screws are threaded into the interior handle, hold in position and tighten the stud screws with a Phillips-head screwdriver pulling the interior handle tight to the glass.
- STEP 6** From the outside of the door, position the exterior handle over the collars of both stud screws and tighten the set screws with the Allen wrench.

CONTINUOUS HINGE ASSEMBLY PROCEDURE



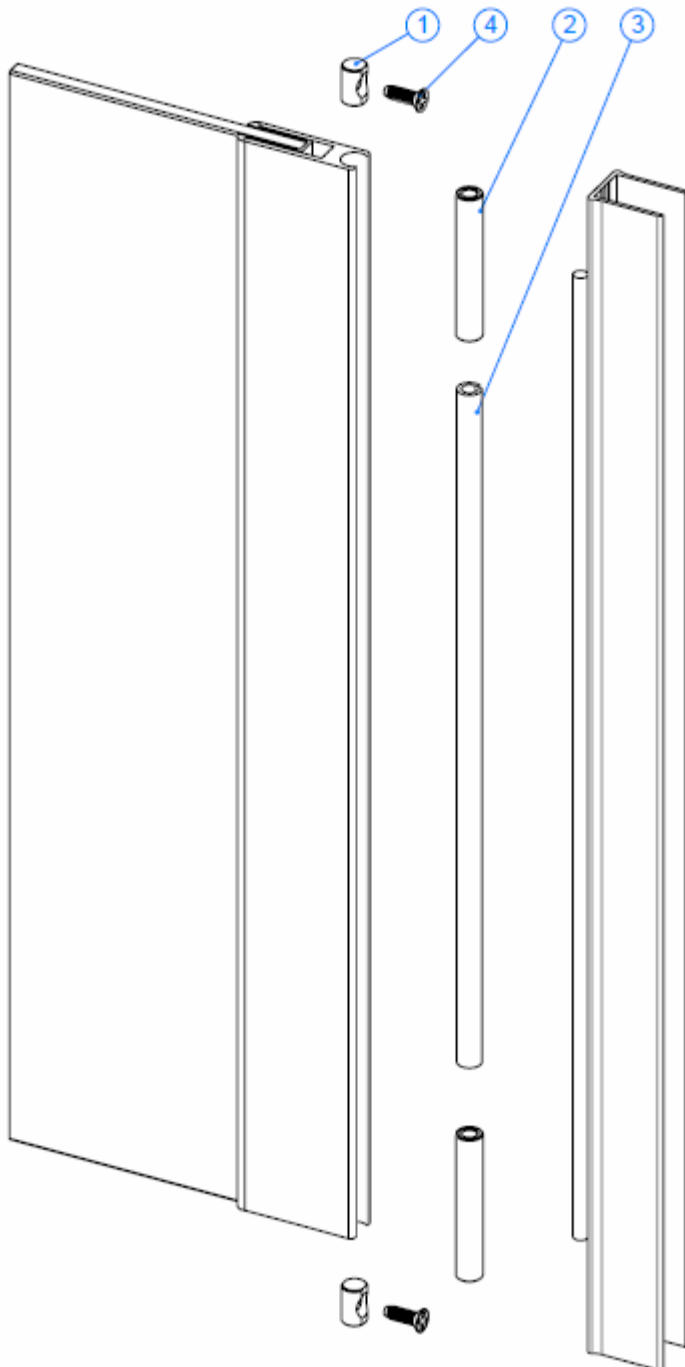
Step - 6 After Completing these steps, install the unit as described beginning on Page 2 of the instructions

FOR UNITS PURCHASED AS “KD” KNOCK-DOWN UNITS

THE CUSTOMER IS SUPPLYING THEIR OWN GLASS

If the unit purchased includes glass and/or is sold as a complete unit, please install the unit starting from the front of the instruction book.

If the customer is supplying their own glass, please refer to these instructions to properly assemble the hinge during the glazing process. After these instructions are complete, please install the unit as described starting in the front of the book.



ITEM #	PART #	DESCRIPTION	QTY.
1	SC4643	MOUNT BUSHING	2
2	SC4642	HINGE BUSHING	2
3	SC4644	SPACER SLEEVE	1
4	SC5018*	#8 SCREW	2

*Please note: Framed units use SCR05 and has slightly different extrusions, but the hinge assembly procedure is identical.