

Specifications

PFLT2024

Single Basin Laundry Sink



Product Features

- Single compartment, multi-purpose sink
- Polypropylene construction with integral strainer
- Equipped with white baked enamel steel angle legs with leveling devices
- Predrilled with 4" center set faucet holes, 8" center set holes are field drilled
- Internal basin depth: 13-7/8"
- 1-7/8" integrally molded drain with rubber stopper

Model Numbers

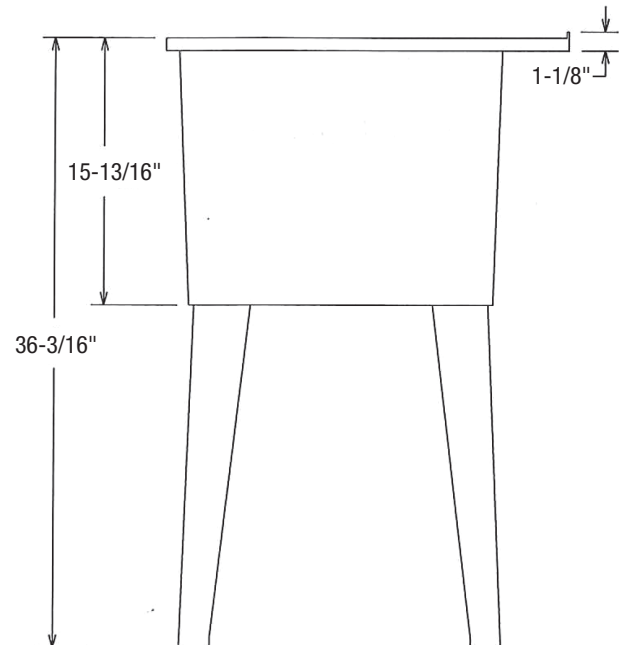
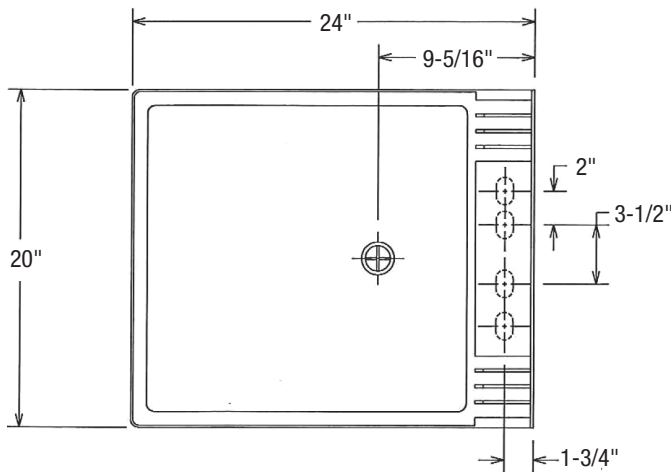
PFLT2024 Floor Mounted Multi-Purpose Sink

Parts

Part Number	Description
PFLTLEGS	LEGS F/PFLT SET 4 WHITE



PFLT2024



Warranty and Codes

These products come complete with installation, operating, care and maintenance instructions. All PROFLO laundry sinks carry a 1-year limited warranty. In an effort to continually improve our products, we will make design changes from time to time. We reserve the right to ship newly designed product to fill any order unless we agree in writing to do otherwise.

