

Specifications

PFMB2424S & PFMB3624S

Mop Basin



Product Features

- Molded, high-density composite basin
- Stainless steel drain body
- Stainless steel strainer/lint basket
- 36" Model includes integrally molded, self-draining mop shelf
- Designed to connect to 3" drain pipe
- 10" Deep

Model Numbers

PFMB2424S	24" x 24" Mop service basin with stainless steel drain
PFMB3624S	36" x 24" Mop service basin with stainless steel drain
PFBG24S	24" Stainless steel bumper guard
PFBG36S	36" Stainless steel bumper guard
PFBG24V	24" Vinyl bumper guard
PFBG36V	36" Vinyl bumper guard
PFWG24S*	24" Stainless steel wall guard set
PFWG36S*	36" Stainless steel wall guard set

*Wall guard height: 12"

Available Parts

PFMBSSDRN	3" Strainer and gasket for PFMB2424S & PFMB3624S
PF245	Mop hanger
PFSSHE	Service hose
PF296	Service hose bracket
PFMB3SNS	QDC3SN. Gasket for 3" soil pipe – For use with PFMB2424S and PFMB3624S
PFMB3XS	QDC3XH. Gasket for 3" PVC pipe – For use with PFMB2424S and PFMB3624S
PFMBQD	QDC32. 3" x 2" pipe reducer gasket for 2" pipe – For use with PFMB2424S and PFMB3624S

Warranty and Codes

These products come complete with installation, operating, care and maintenance instructions. All PROFLO basins carry a 1-year limited warranty. These products meet or exceed ANSI Z124.2. In an effort to continually improve our products, we will make design changes from time to time. We reserve the right to ship newly designed product to fill any order unless we agree in writing to do otherwise.



PFMB2424S



PFMB3624S shown with PFWG36S



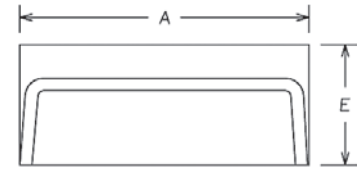
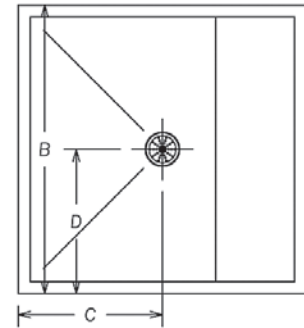
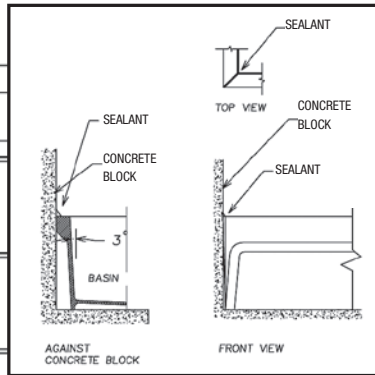
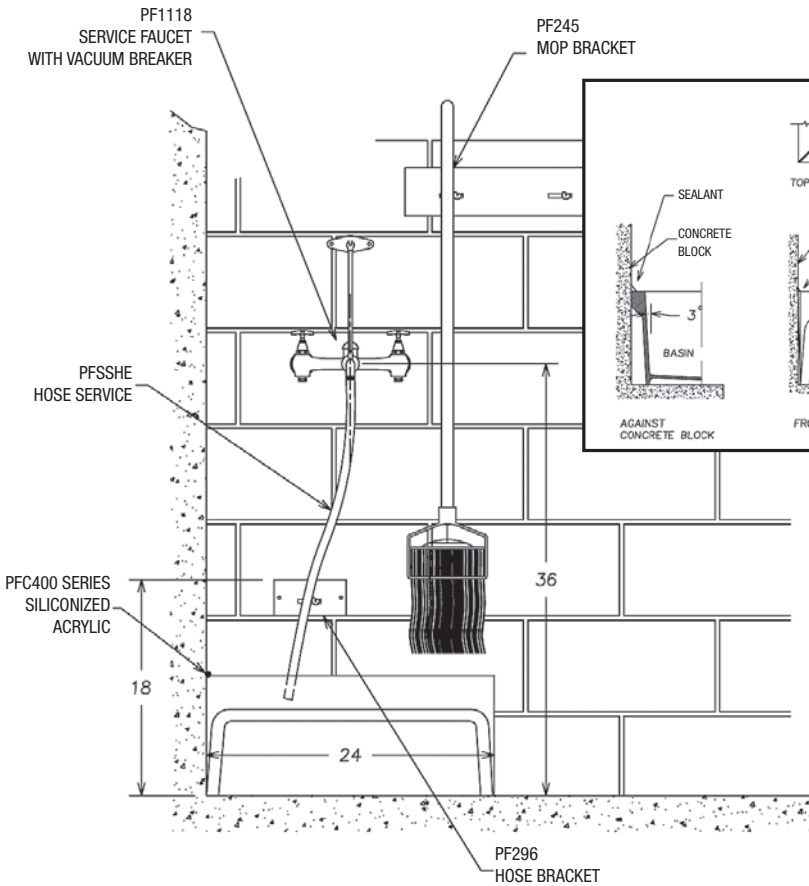
Specifications

PFMB2424S & PFMB3624S

Mop Basin

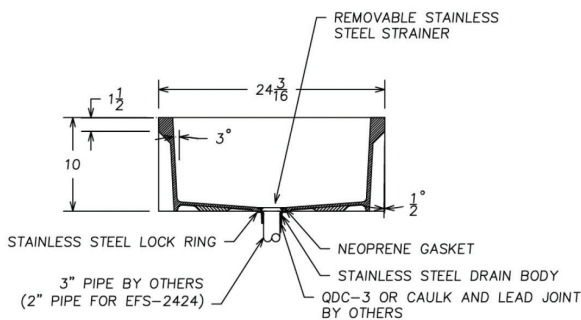


Suggested Installation

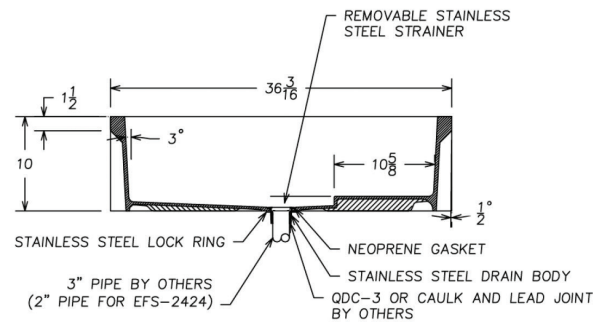


MODEL NO.	A	B	C	D	E
PFMB2424S	24-3/16"	24-3/16"	12"	12"	10"
PFMB3624S	36-3/16"	24-3/16"	18"	12"	10"

Rough-In Details Front View



PFMB2424S



PFMB3624S

