



# KENNEDY INDICATOR POST

MODEL 2945 and 2945A

UL / FM APPROVED

Kennedy Valve's Indicator posts provide the reliable way of operating a buried or inaccessible Gate Valve for opening and closing purpose. The Indicator Posts are available in various sizes, to meet the various trench depths. Also, Kennedy's Indicator Post feature few working parts, and visible confirmation the valve is open or closed. These Indicator Posts come with an L shaped handle which can be fitted with a secure lock. The Indicator posts are available either in Fixed or Adjustable type design



### General Specifications

Type: Post Indicator Telescopic Barrel  
 Suitable for Gate Valve Sizes 4" to 14"  
 (DN100-DN350)  
 Approvals : UL 789 and FM 1110  
 Ductile Iron Stand Pipes

### Models

2945A : Adjustable type , available in B, C, D & E sizes  
 2945 : Fixed types , available in F, G & H sizes

### Features

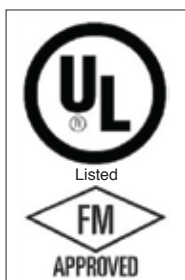
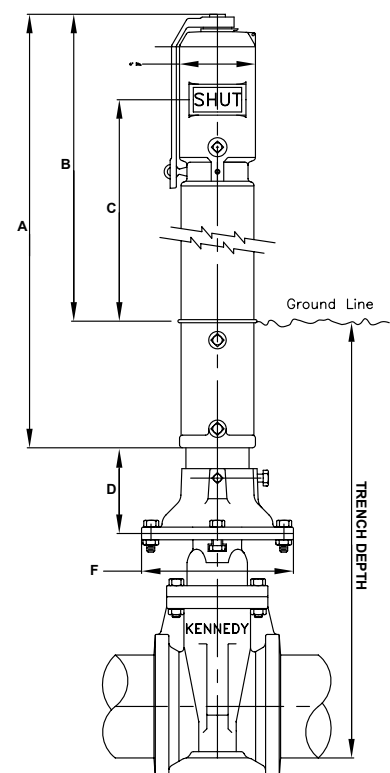
Target nut to allow 9 to 40 turns  
 Adjustable indicator plate (open/shut)  
 Tapped for supervisory switch  
 Protected window to indicate the valve open or closed position

### Coating

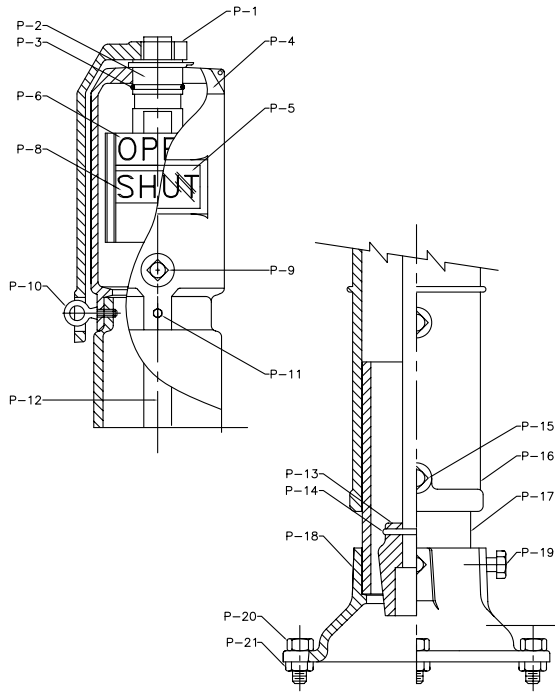
Telescopic Barrel : Fusion bonded epoxy coating  
 Lower Barrel : Black Bitumen coated

## DIMENSIONS

Reference	Dimensions (mm/inch)					
	A	B	C	D	E	F
2945	1188 / 46.8	934 / 36.8	762 / 30.0	130 / 5.1	152 / 6.0	305 / 12



## KENNEDY VERTICAL INDICATOR POST – TYPE MODEL 2945



### PART LIST

Item	Description	Material	Specification
1	Locking Wrench	Cast Iron	ASTM A125-CI. B
2	Operating Nut	Bronze	ASTM B584 Alloy 864
3	Retainer O-Ring	Rubber	Buna "N"
4	Top Section	Cast Iron	ASTM A125-CI. B
5	Window Glass	Lexan	UV Stabalized
6	"Open" Target	Aluminium	Cast
7	"Shut" Target	Aluminium	Cast
8	Target Assembly	Various	Various
9	1/2" NPT Pipe Plug	Malleable Iron	
10	3/8" Eyebolt	Forged Steel	
11	Hex. Capscrew	Zinc Plated Steel	3/8" - 16 x 1" long
12	1" Sq. Stem Rod	Steel	All M1020 Hot Rolled
13	Crane Coupling	Cast Iron	ASTM A125-CI. B
14	Cotter Pin	Brass	
15	Screw	Zinc Plated Steel	
16	Telescoping Barrel	Cast Iron	ASTM A125-CI. B
17	Lower Standpipe	Ductile Iron	ANSI A21.51 CI.52
18	Base Flange	Cast Iron	ASTM A125-CI. B
19	Screw	Zinc Plated Steel	3/4" Hex Head
20	Capscrew	Zinc Plated Steel	5/8" x 2 1/2" Hex
21	Nut	Zinc Plated Steel	5/8" Hex.

## Trench Depth

### MODEL - 2945A

Reference	Unit	Trench Depth according to Valve Size											
		DN100/4"		DN150/6"		DN200/8"		DN250/10"		DN300/12"		DN350/14"	
		Min.	Max	Min.	Max	Min.	Max	Min.	Max	Min.	Max	Min.	Max
2945 B	mm	787	1295	889	1397	1016	1524	1143	1651	1245	1753	1372	1880
	in	31	51	35	55	40	60	45	65	49	69	54	74
2945 C	mm	1219	1727	1346	1854	1473	1981	1600	2108	1702	2210	1829	2337
	in	48	68	53	73	58	78	63	83	67	87	72	92
2945 D	mm	1676	2184	1803	2311	1930	2438	2057	2565	2159	2667	2286	2794
	in	66	86	71	91	76	96	81	101	85	105	90	110
2945 E	mm	2235	2819	2336	2921	2514	3098	2590	3175	2692	3276	2921	3500
	in	88	111	92	115	99	122	102	125	106	129	115	138

### MODEL - 2945

Reference	Unit	DN100 /4"	DN150 /6"	DN200 /8"	DN250 /10"	DN300 /12"	DN350 /14"
2945-F	mm	1156	1257	1384	1499	1626	1753
	inch	45.5	49.5	54.5	59	64	69
2945-G	mm	1613	1715	1842	1956	2083	2210
	inch	63.5	67.5	72.5	77	82	87
2945-H	mm	2223	2324	2451	2565	2692	2819
	inch	87.5	91.5	96.5	101	106	111

The specifications and material grades shown are subject to revision without notice based on our product improvement programme.



Mcwane International, 1201 Vanderbilt Road, Birmingham AL 35234, USA  
 Ph.: 205-716-6600, Fax: 205-324-7250 Email: inquiries@mcwaneintl.com  
 www.mcwaneinternational.com