



SERVICE PARTS LIST

BULLETIN NO.
54-22-2460

SPECIFY CATALOG NO. AND SERIAL NO. WHEN ORDERING PARTS				REVISED BULLETIN	DATE
M12 ROTARY TOOL					Mar. 2011
CATALOG NO.	2460-20	SERIAL NUMBER	C81A	WIRING INSTRUCTION	

EXAMPLE:



Component Parts (Small #)
Are Included When Ordering
The Assembly (Large #).

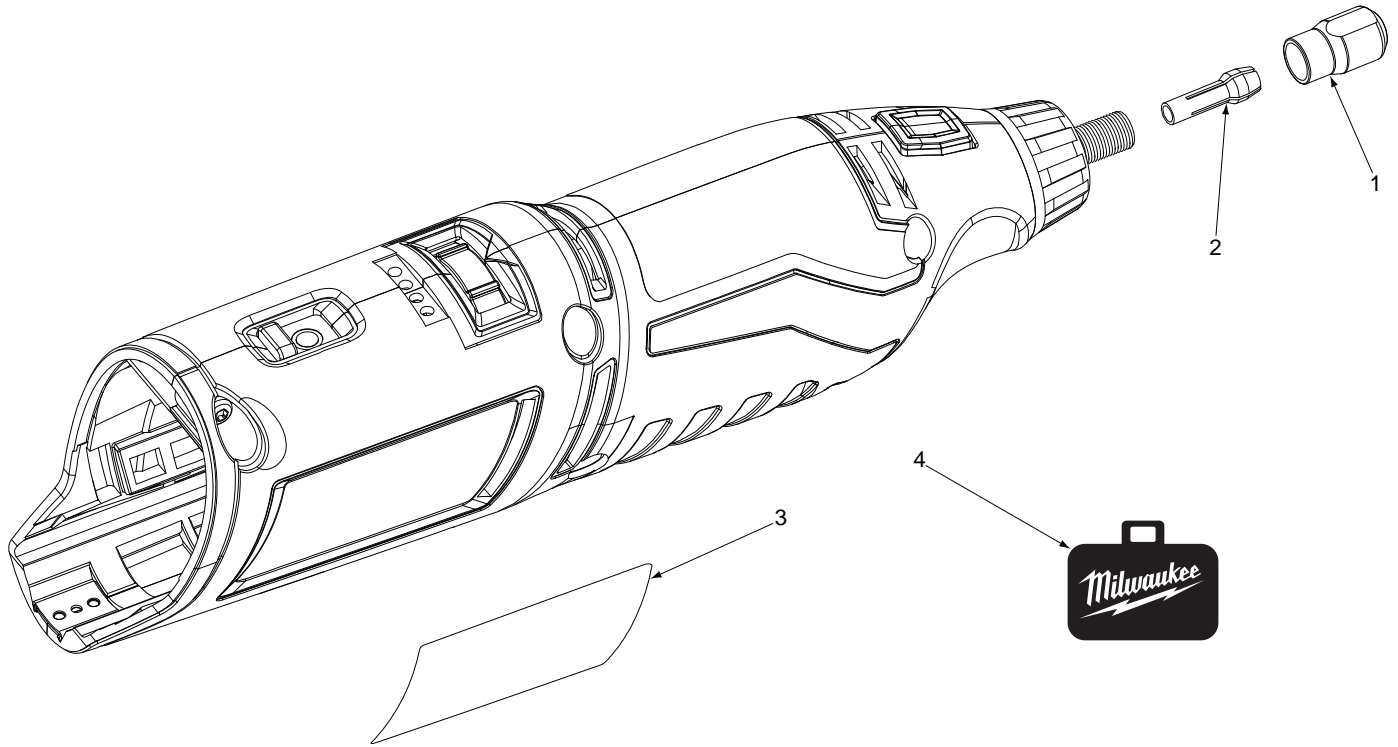


FIG.	PART NO.	DESCRIPTION OF PART	NO. REQ.
1	44-40-0770	Collet Nut	(1)
2	42-77-0400	1/8" Collet	(1)
3	12-20-2460	Service Nameplate	(1)
4	42-55-2460	Storage Bag	(1)
5	10-20-3675	Warning Label (Not Shown)	(1)

FIG. 3,5 **NOTES**
A clean, dry surface is essential for proper performance for any adhesive system. The area intended for application of any adhesive label or nameplate must be prepared by cleaning with isopropyl alcohol. The solvent is to be applied with a clean, lint free applicator and the surface allowed to dry before applying the label or name plate.