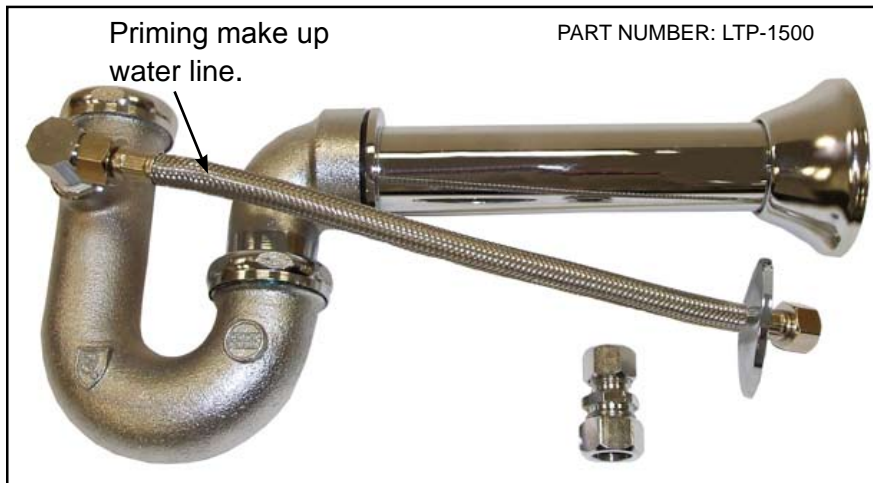




Precision Plumbing Products
"Specify with Confidence - Install with Pride"

**TAIL PIECE
 TRAP PRIMING ASSEMBLY**

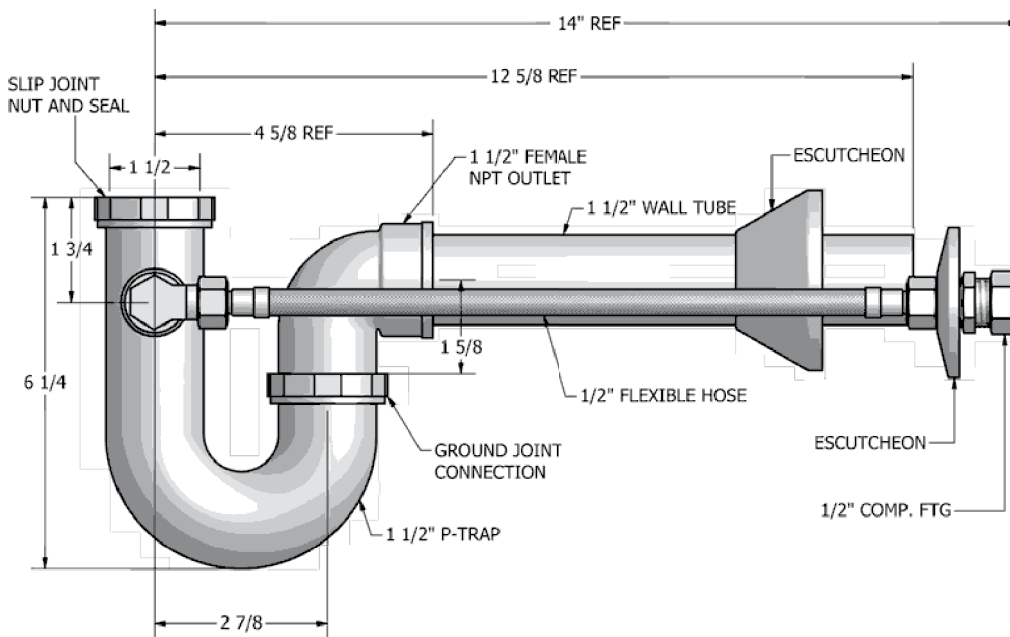
www.pppinc.net



PROJECT SUBMITTAL

Project: _____
 Contractor: _____
 Engineer: _____
 Date Submitted: _____
 Prepared By: _____

The Precision Plumbing Products 1 1/2" Tail Piece floor drain trap priming assembly is provided with a braided 1/2" stainless steel flexible priming make up water line with 1/2" compression fittings, and chrome plated escutcheons for both the wall tube and make up water line. This under lav device will supply water directly to the floor drain trap when the lav is in use. A simple installation that will conserve potable water while still maintaining an adequate trap seal that will not allow sewer gas to escape inside the living or work space. This product has been successfully tested and meets the requirements of ASSE Standard 1044.



PART NUMBER: LTP-1500



Precision Plumbing Products
 Division of JL Industries, Inc.

Airport Business Center
 6807 NE 79th Court, Suite E
 Portland, Oregon 97218

T (503) 256-4010
 F (503) 253-8165

www.pppinc.net

