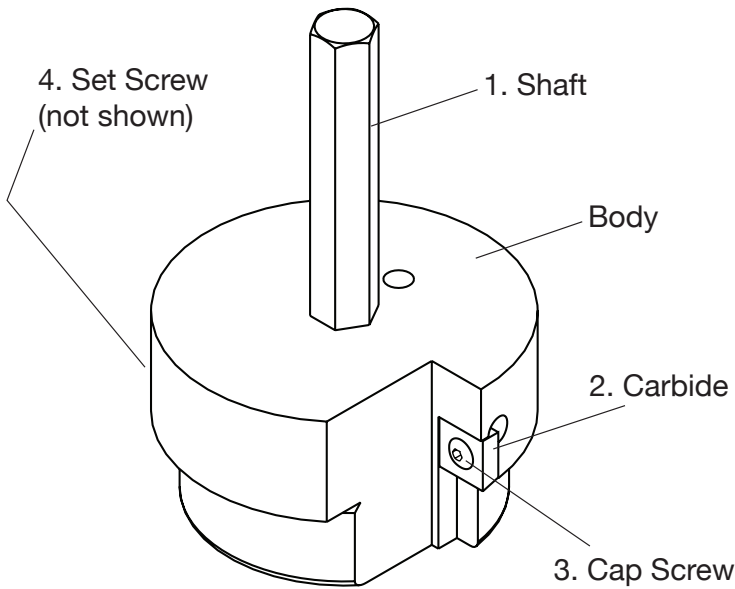




Plastic Pipe Fitting Reamers Operating Instructions

PPR75, PPR100, PPR125, PPR150, PPR200, PPR300, PPR400



Parts List

Ref. No.	Description	3/4" - 1"		Qty.
		Item Code	Item Code	
1	SHAFT	44525	44524	1
2	CARBIDE INSERT	24523	24524	1
3a	8-32 CAP SCREW	—	24525	1
3b	4-40 CAP SCREW	24522	—	1
4	1/4" - 20 SET SCREW	30087	30087	1

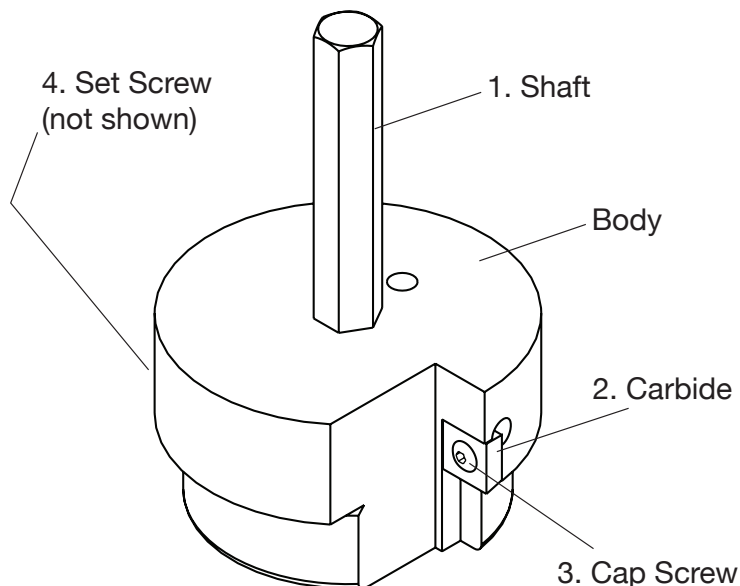
Rotate Carbide Insert: Carbide insert has four cutting edges. Change cutting edge by removing the cap screw and rotating the carbide 180° then reinsert cap screw and tighten. Replace carbide as needed.

54521-213
See Also: RP-0113-103



Plastic Pipe Fitting Reamers Operating Instructions

PPR75, PPR100, PPR125, PPR150, PPR200, PPR300, PPR400



Parts List

Ref. No.	Description	3/4" - 1"		Qty.
		Item Code	Item Code	
1	SHAFT	44525	44524	1
2	CARBIDE INSERT	24523	24524	1
3a	8-32 CAP SCREW	—	24525	1
3b	4-40 CAP SCREW	24522	—	1
4	1/4" - 20 SET SCREW	30087	30087	1

Rotate Carbide Insert: Carbide insert has four cutting edges. Change cutting edge by removing the cap screw and rotating the carbide 180° then reinsert cap screw and tighten. Replace carbide as needed.

54521-213
See Also: RP-0113-103



Plastic Pipe Fitting Reamers Operating Instructions

PPR75, PPR100, PPR125, PPR150, PPR200, PPR300, PPR400

ASSEMBLY

1. Insert Shaft into Body.
2. Make sure shaft is all the way through and flush with the bottom of the reamer.
3. Using a 1/8" Allyn wrench, tighten set screw.

Note: These reamers can be used with standard drills, cordless drills, or impact drills. For most effective use, run the drill at a low or medium RPM.

WARNING: 3" and 4" fitting reamers create a large reaction torque that can cause injury to operator, therefore a standard 1/2" right angle drill is recommended. Use caution when using these tools. For reaming 3" or 4", a lower RPM is recommended to reduce heat and possible distortion of the fitting.

INSTRUCTIONS

1. Cut damaged pipe as close to fitting as possible.
2. Select proper size fitting borer, put it in drill chuck, and tighten. A standard 1/2" right angle drill is recommended.
3. Insert fitting reamer into broken pipe, ensure tool stays on center to prevent binding. If no chips are being made, remove tool and check.
4. Ream old pipe until proper depth is attained.
5. Remove drill and clean out chips from fitting.

NOTE: PPR Fitting Reamers are **NOT** recommended for use on pressurized systems.

Reed Manufacturing Company
1425 West 8th Street
Erie, PA 16502 USA



Phone: 800-666-3691 or 814-452-3691
Fax: 800-456-1697 or 814-455-1697
www.reedmfgco.com

54521-213
See Also: RP-0113-103



Plastic Pipe Fitting Reamers Operating Instructions

PPR75, PPR100, PPR125, PPR150, PPR200, PPR300, PPR400

ASSEMBLY

1. Insert Shaft into Body.
2. Make sure shaft is all the way through and flush with the bottom of the reamer.
3. Using a 1/8" Allyn wrench, tighten set screw.

Note: These reamers can be used with standard drills, cordless drills, or impact drills. For most effective use, run the drill at a low or medium RPM.

WARNING: 3" and 4" fitting reamers create a large reaction torque that can cause injury to operator, therefore a standard 1/2" right angle drill is recommended. Use caution when using these tools. For reaming 3" or 4", a lower RPM is recommended to reduce heat and possible distortion of the fitting.

INSTRUCTIONS

1. Cut damaged pipe as close to fitting as possible.
2. Select proper size fitting borer, put it in drill chuck, and tighten. A standard 1/2" right angle drill is recommended.
3. Insert fitting reamer into broken pipe, ensure tool stays on center to prevent binding. If no chips are being made, remove tool and check.
4. Ream old pipe until proper depth is attained.
5. Remove drill and clean out chips from fitting.

NOTE: PPR Fitting Reamers are **NOT** recommended for use on pressurized systems.

Reed Manufacturing Company
1425 West 8th Street
Erie, PA 16502 USA



Phone: 800-666-3691 or 814-452-3691
Fax: 800-456-1697 or 814-455-1697
www.reedmfgco.com

54521-213
See Also: RP-0113-103