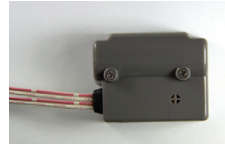


SUBMITTAL DATA: DPLS1.....DRAIN PANEL LEVEL SENSOR / LEVEL CONTROL

| | | |
|---------------------|--|-------|
| Job Name: | Location: | Date: |
| Purchaser: | Engineer: | |
| Submitted to: | For <input type="checkbox"/> Reference <input type="checkbox"/> Approval <input type="checkbox"/> Construction | |
| System Designation: | Schedule No.: | |

GENERAL FEATURES

- The DPLS1 Drain Pan Level Sensor / Control provides protection against drain pan overflow in Mitsubishi Electric Mr. Slim and CITY MULTI Indoor Units. It will sense a high condensate level in the drain pan. Should this occur the control shuts down the indoor unit before an overflow can occur. A thermistor error code will be produced should the DPLS1 activate indicating a fault which must be resolved before the unit re-starts
- Provides electronic overflow protection for Drain Pans in all Mr. Slim and CITY MULTI indoor units: MFZ, MS, MSY/Z, SEZ, SLZ, PCA/PCFY, PDFY, PEA/PEAD/PEFY, PKA/PKFY, PLA, PLKA/PLFY, PMFY, and PVFY
- Meets requirements as listed alternative to secondary drain pans in all indoor unit installations covered by the International Mechanical Code and adaptations ground level.
- Powered by a twenty-year life Lithium battery, factory installed prior to shipment. No external electric power needed for operation. There is an audible indication of low battery condition, should it ever need to be replaced.

COMPONENTS


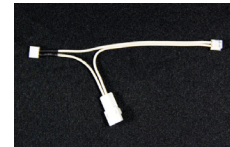
Control Box



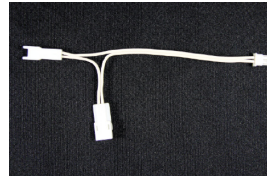
Water Sensor



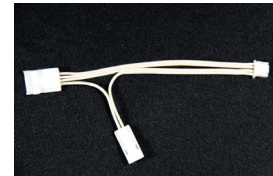
Splice Connector



M2 Wire Harness



P Wire Harness

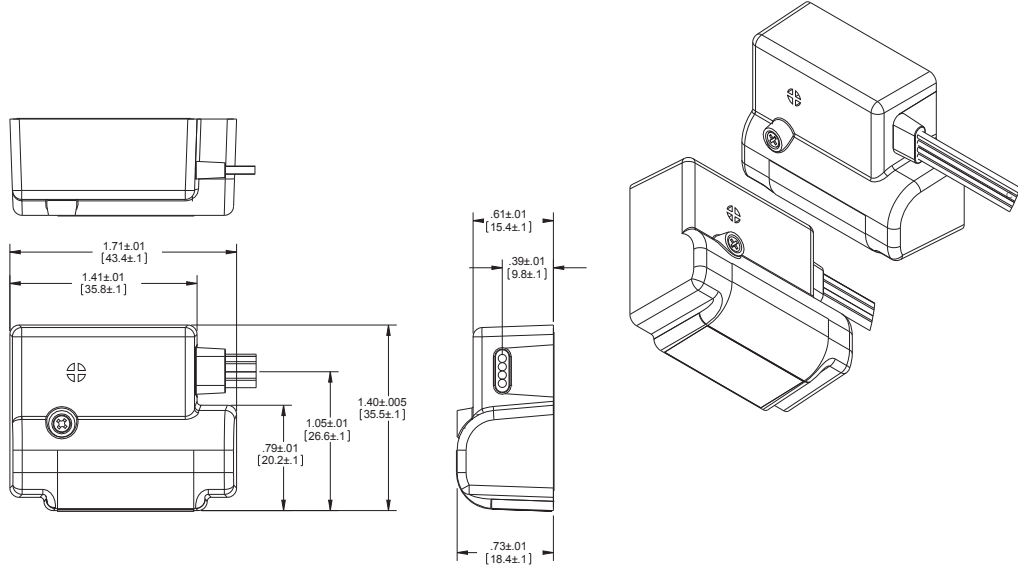


M1 Wire Harness

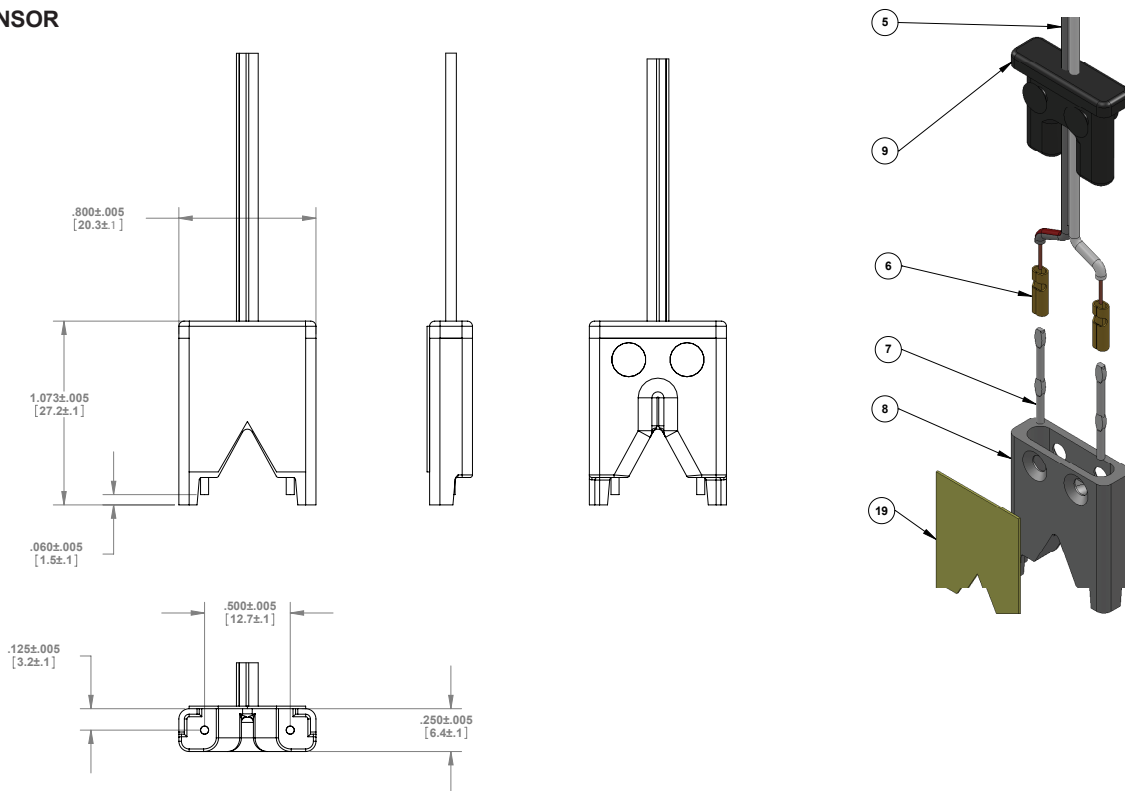
| Type of Harness | Indoor Unit Models | Connector to Indoor Unit Control Board | Connector to Thermistor | Connector to Control Box |
|-----------------|--|---|---|--------------------------|
| M2 Wire Harness | MS MSZ/Y MFZ | 2 pin, female connector (with black heat shrink) to CN111 | 2 pin, male connector to: RT11 (Room Temp. Thermistor) | 2 pin, male connector |
| P Wire Harness | PKA PCA PEA(D) PLA SEZ | 2 pin, female connector to CN20 | 2 pin, male connector to: TH1 (Room Temp. Thermistor) | 2 pin, male connector |
| | SLZ PKFY-P**NBMU-E PLFY-P**NCMU-E PMFY-P**NBMU-E PVFY-P**E00A PEFY-P**NMHU-E | 2 pin, female connector to CN20, CN21 or CN29 | 2 pin, male connector to: • TH1 (Room Temp. Thermistor) or TH22 (Pipe Temp. and • Thermistor/Liquid) or TH23 (Pipe Temp Thermistor/Gas) | |
| M1 Wire Harness | PLA PKA PCA PEA(D) SEZ PKFY-P**NH/ KMU-E PLFY-P**NBMU-E PCFY-P**NKMU-E PEFY-P**NMS/AU-E | 4 pin, female connector to CN44 | 4 pin, male connector to: • TH2 (Pipe Temp. Thermistor/ Liquid) and • TH5 (Pipe Temp. Thermistor/ Gas) | 2 pin, male connector |
| | MS | | 4 pin, male connector to: RT12 (Coil Temp. Thermistor) | |
| | MSZ/Y | 4 pin, female connector to CN112 | 4 pin, male connector to: • RT12 (Coil Temp. Thermistor – Main) and • RT13 (Coil Temp. Thermistor – Sub) | |
| | MFZ | 4 pin, female connector to CN113 | 4 pin, male connector to: RT15 (Coil Temp. Thermistor) | |

DIMENSIONS: DPLS1

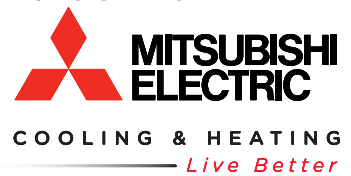
CONTROL BOX



WATER SENSOR



MANUFACTURED FOR :



3400 Lawrenceville Suwanee Rd
Suwanee, GA 30024
Tele: 678-376-2900 • Fax: 800-889-9904
Toll Free: 800-433-4822 (#3)
www.mehvac.com
Specifications are subject to change without notice.