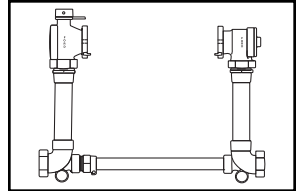


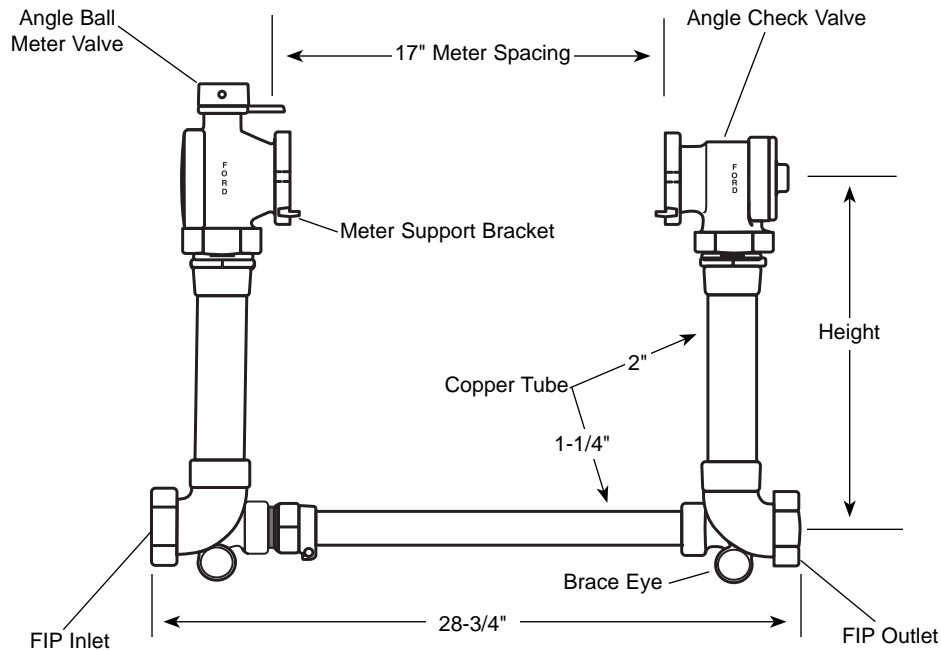
# SUBMITTAL INFORMATION

## 70 Series Coppersetter - (VBH77-xx-11-77-NL style)



### ANGLE BALL VALVE BY ANGLE CHECK VALVE (2" METER)

### FEMALE IRON PIPE THREAD INLET AND OUTLET



SERVICE LINE CONNECTION		HEIGHT	APPROX. Wt. LBS.	CATALOG NUMBER	✓ SUBMITTED ITEM(S)
FIP INLET	FIP OUTLET				
2"	2"	12"	30	VBH77-12-11-77-NL	
		15"	31	VBH77-15-11-77-NL	
		18"	32	VBH77-18-11-77-NL	
		21"	32	VBH77-21-11-77-NL	
		24"	33	VBH77-24-11-77-NL	
		27"	33	VBH77-27-11-77-NL	
		36"	35	VBH77-36-11-77-NL	

### FEATURES

- All brass that comes in contact with potable water conforms to AWWA Standard C800 (ASTM B584, UNS C89833)
- The product has the letters "NL" cast into the main body for lead-free identification
- Brass components that do not come in contact with potable water conform to AWWA Standard C800 (ASTM B62 and ASTM B584, UNS C83600, 85-5-5-5)
- Constructed with Type K Copper and conforms to ASTM B88, UNS C12200
- All Ford Meter Setters are assembled with lead-free solder
- Bracing eyes are standard
- Meter support brackets are standard
- Optional Bypass - add "B" following the height. Example: VBH77-12B-11-77-NL
- Optional High Bypass - add "HB" following the height. Example: VBH77-12HB-11-77-NL

The Ford Meter Box Company considers the information in this submittal form to be correct at the time of publication. Item and option availability, including specifications, are subject to change without notice. Please verify that your product information is current.



#### The Ford Meter Box Company, Inc.

P.O. Box 443, Wabash, Indiana U.S.A. 46992-0443  
 Phone: 260-563-3171 / Fax: 800-826-3487  
 Overseas Fax: 260-563-0167  
 www.fordmeterbox.com

06/22/16

Submitted By: