

**ROUGH IN VALVE ONLY**

**VALVE691**

1/2" Thermostatic Valve with  
Diverter & Volume Control

**STANDARDS**

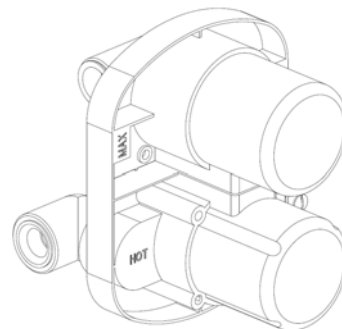
- Compliant with ASME A112.18.1-B125.1
- Compliant with ASSE 1016
- Certified by CSA International

***Finishes***

UNIVERSAL THERMO VALVE WITH DIVERTER  
FOR ALL TRIM AVAILABLE

***Features***

Solid Brass Construction  
1/2" Stacked Thermostatic Valve Featuring Ceramic Discs  
High Flow Valve Supports Multiple Outlets  
1/2" NPT Inlets  
Diverter with Progressive Volume Control  
Independent Temperature Control  
Step-By-Step Installation Instructions  
Limited Lifetime Warranty



Project: \_\_\_\_\_  
Contractor: \_\_\_\_\_