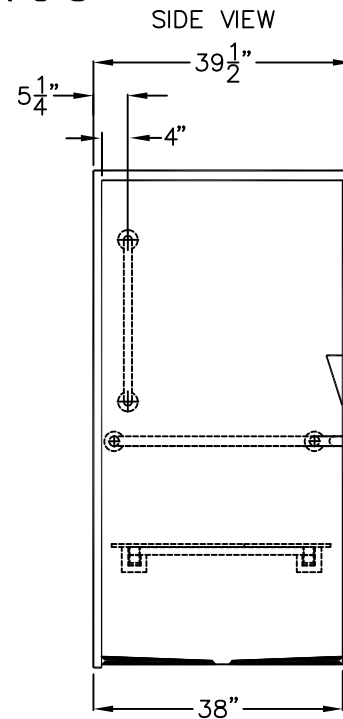
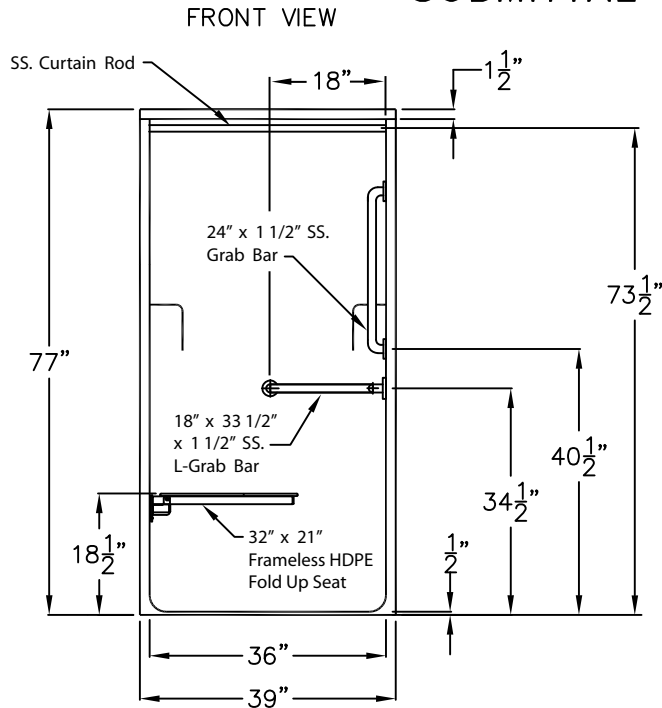


Special Needs Series

SUBMITTAL DATA



Transfer Shower Stall

The shower enclosure shall be Aquarius Model G 3698 BF right or left. Finished surface shall be of a sanitary-grade polyester Gelcoat exhibiting a minimal thickness of 15 dry mills, and a finished cured Barcol hardness of 80-90 as tested with ASTM D-2583. Unit construction shall be of molded reinforced fiberglass with a 15% minimum fiberglass content. The unit shall have outside dimensions of 39" x 39 1/2" x 77". The base shall be attached to the sump of the unit in such a manner to form and integral part with an inner and outer coating of reinforced polyester resin. The unit shall meet ANSI 124.2, ANSI 117.1, ADA, HUD, BOCA, NAHB, UPC Code and shall meet the requirements of Southern Building Code.

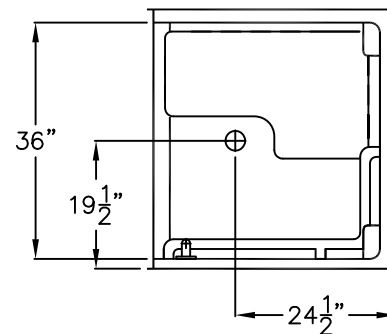
The enclosure shall be equipped with the following installed accessories:

- 1) One 18" x 33 1/2" x 1 1/2" Stainless Steel L-Grab
- 2) One 24" x 1 1/2" Stainless Steel L-Grab Bar.
- 3) Frameless 32" x 21" HDPE Fold up Seat.
- 4) One Inch Diameter Stainless Steel Curtain Rod With Receiver Cups.
- 5) 1/2" Threshold.

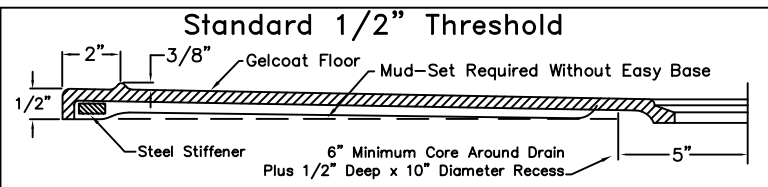
Available Options: 1) Hand held shower set (includes: hand set, 60" flex hose, swivel connector, vacuum breaker, brass nipple, locknut, wall brackets and shower wall outlet), 2) Factory installed fold up seat, 3) 24" or 30" slide bar, 4) Pressure balance valve, 5) Green shower curtain, anti-bacterial, and hooks, 6) White shower curtain and hooks.

NOTE: THIS UNIT WILL NOT ACCEPT A DOOR!

TOP VIEW



DUE TO THE NATURE OF THE MATERIALS
DIMENSIONS MAY VARY ± 1/2"



AQUARIUS

Model No.:

Drawing#: G 3698 BF .50 Package 1 ADA with curtain rod

Approved by:

Date Approved:

Date: 6-21-07

Revised: 10-19-10

Rep.:

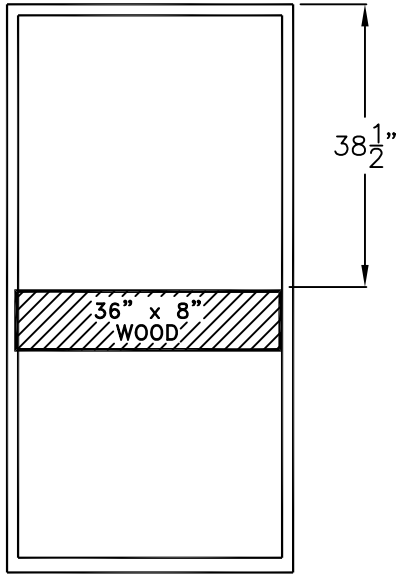
Wholesaler:

Quote No.:

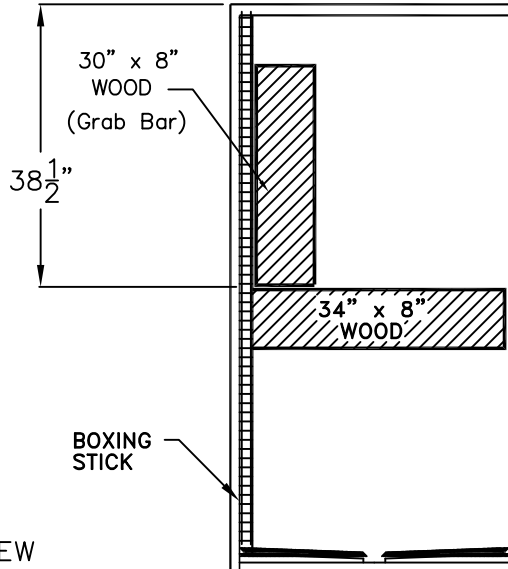
PRAXIS INDUSTRIES, LLC.
435 INDUSTRIAL RD - SAVANNAH, TN 38372
1 (800) 443-7269 - FAX (731) 925-4290

Board Placement SUBMITTAL DATA

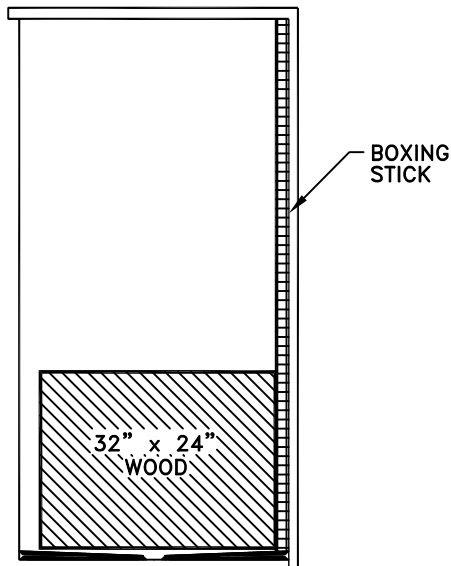
FRONT VIEW



SIDE VIEW
VALVE SIDE



SIDE VIEW
SEAT SIDE



DUE TO THE NATURE OF THE MATERIALS
DIMENSIONS MAY VARY $\pm 1/2$ "

Job Name:	AQUARIUS
Model No.:	Drawing#: G 3698 BF .50 ADA BP
Approved by:	Date Approved:
Rep.:	Wholesaler:
Date: 3-15-07 Revised: 1-07-09	
Quote No.:	

PRAXIS INDUSTRIES, LLC.
435 INDUSTRIAL ROAD, SAVANNAH, TN 38372
1 (800) 443-7269 - FAX (731) 925-4290