

### Features

- Wide range of pressure ratings, sizes, and resilient materials provide long service life and low internal leakage
- High flow valves for liquid, corrosive, and air/inert gas service
- Lead-free versions available for Safe Drinking Water Act Compliance
- Industrial applications include:
  - Car wash
  - Laundry equipment
  - Air compressors
  - Industrial water control
  - Pumps

### Construction

Valve Parts in Contact with Fluids		
Body	Brass	304 Stainless Steel*
Seals and Discs	NBR or PTFE	
Disc-Holder	PA	
Core Tube	305 Stainless Steel	
Core and Plugnut	430F Stainless Steel	
Springs	302 Stainless Steel	
Shading Coil	Copper	Silver

\*Catalog Numbers 8210G127, 8210G129, 8210G132, 8210G133 have 316L Stainless Steel bodies.

### Electrical

Standard Coil and Class of Insulation	Watt Rating and Power Consumption				Spare Coil Part Number			
	DC Watts	AC			General Purpose		Explosionproof	
		Watts	VA Holding	VA Inrush	AC	DC	AC	DC
F	-	6.1	16	40	238210	-	238214	-
F	11.6	10.1	25	70	238610	238710	238614	238714
F	15.8	-	-	-	-	501695	-	501696
F	16.8	16.1	35	180	272610	97617	272614	97617
F	-	17.1	40	93	238610	-	238614	-
F	-	20	43	240	99257	-	99257	-
F	-	20.1	48	240	272610	-	272614	-
F	30.8	-	-	-	-	501695	-	501696
H	11.6	-	-	-	-	238910	-	238914
H	40.6	-	-	-	-	238910	-	238914

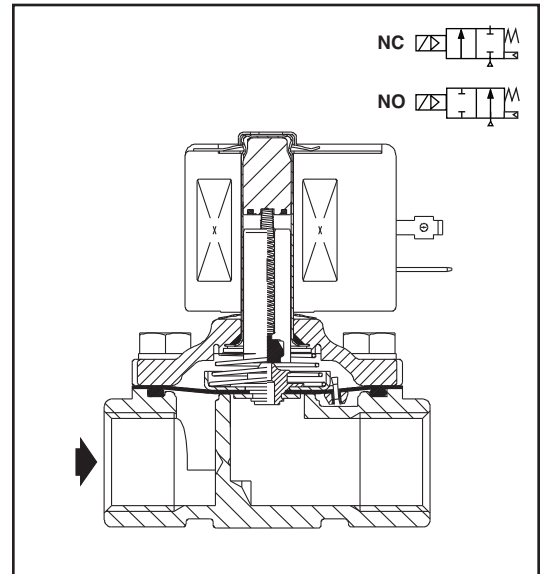
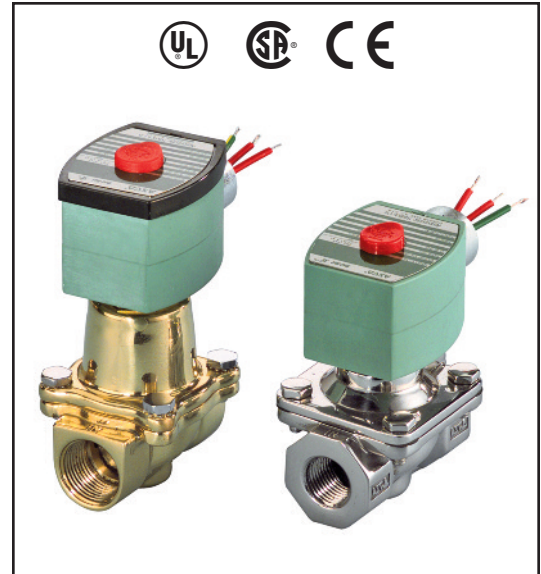
**Standard Voltages:** 24, 120, 240, 480 volts AC, 60 Hz (or 110, 220 volts AC, 50 Hz). 6, 12, 24, 120, 240 volts DC. Must be specified when ordering.  
Other voltages available when required.

### Solenoid Enclosures

**Standard:** RedHat II - Watertight, Types 1, 2, 3, 3S, 4, and 4X; RedHat - Type 1.

**Optional:** RedHat II - Explosionproof and Watertight, Types 3, 3S, 4, 4X, 6, 6P, 7, and 9; Red-Hat - Explosionproof and Watertight, Types 3, 4, 4X, 7, and 9.

(To order, add prefix "EF" to catalog number, except Catalog Numbers 8210B057, 8210B058, and 8210B059, which are not available with Explosionproof enclosures.)  
See *Optional Features Section* for other available options.



### Nominal Ambient Temp. Ranges

RedHat II/RedHat AC: 32°F to 125°F (0°C to 52°C)

RedHat II DC: 32°F to 104°F (0°C to 40°C)

RedHat DC: 32°F to 77°F (0°C to 25°C)  
(104°F/40°C occasionally)

8210G227 AC: 32°F to 130°F (0°C to 54°C)

DC: 32°F to 90°F (0°C to 32°C)

Refer to *Engineering Section* for details.

### Approvals

UL listed as indicated. CSA certified.  
RedHat II meets applicable CE directives.

Refer to *Engineering Section* for details.

ATEX/IECEx certified with prefix "EV" as listed. Refer to *Optional Features Electrical Section* for details.

## Specifications (English units)

Pipe Size (in)	Orifice Size (in)	Cv Flow Factor	Operating Pressure Differential (psi)								Max. Fluid Temp. °F		Brass Body			Stainless Steel Body			Watt Rating/Class of Coil Insulation ⑦	
			Max. AC				Max. DC						Catalog Number	Const. Ref. ④	UL ⑤ Listing	Catalog Number	Const. Ref. ④	UL ⑤ Listing		
			Min.	Air-Inert Gas	Water	Light Oil @ 300 SSU	Air-Inert Gas	Water	Light Oil @ 300 SSU	AC	DC									
<b>NORMALLY CLOSED (Closed when de-energized), NBR or PTFE ② Seating</b>																				
3/8	3/8	1.5	①	150	125	-	40	40	-	180	150	8210G073 ③	1P	●	8210G036 ③	1P	●	6.1/F	11.6/F	
3/8	5/8	3	0	150	150	-	40	40	-	180	150	8210G093	5D	○	-	-	-	10.1/F	11.6/F	
3/8	5/8	3	5	200	150	135	125	100	100	180	150	8210G001 ▼	6D	○	-	-	-	6.1/F	11.6/F	
3/8	5/8	3	5	300	300	300	-	-	-	175	-	8210G006 ✓	5D	○	-	-	-	17.1/F	-	
1/2	7/16	2.2	①	150	125	-	40	40	-	180	150	8210G015 ③	2P	●	8210G037 ③	2P	●	6.1/F	11.6/F	
1/2	5/8	4	0	150	150	-	40	40	-	180	150	8210G094 ✓/♠	5D	○	-	-	-	10.1/F	11.6/F	
1/2	5/8	4	0	150	150	125	40	40	-	175	150	-	-	-	8210G087 ✓	7D	●	17.1/F	11.6/F	
1/2	5/8	4	5	200	150	135	125	100	100	180	150	8210G002 ▼/♠	6D	○	-	-	-	6.1/F	11.6/F	
1/2	5/8	4	5	300	300	300	-	-	-	175	-	8210G007	5D	○	-	-	-	17.1/F	-	
1/2	3/4	4	5	-	300	-	-	300	-	130	90	8210G227	5D	○ †	-	-	-	17.1/F	40.6/H	
3/4	5/8	4.5	0	150	150	125	40	40	-	175	150	-	-	-	8210G088 ✓	7D	●	17.1/F	11.6/F	
3/4	3/4	5	5	125	125	125	100	90	75	180	150	8210G009 ▼/♠	9D	○	-	-	-	6.1/F	11.6/F	
3/4	3/4	5	0	150	150	-	40	40	-	180	150	8210G095 ✓/♠	8D	○	-	-	-	10.1/F	11.6/F	
3/4	3/4	6.5	5	250	150	100	125	125	125	180	150	8210G003 ▼	11D	○	-	-	-	6.1/F	11.6/F	
3/4	3/4	6	0	350	300	200	200	200	200	200	180	8210G026 ② † ◆	40P/10D	●	-	-	-	16.1F	30.8/F	
1	1	13	0	150	125	125	135	120	120	180	180	8210G054 † ◆	41D/31D	●	8210G089 † ◆	45D/15D	●	16.1/F	30.8/F	
1	1	13	5	150	150	100	125	125	125	180	150	8210G004 ▼/♠	12D	○	-	-	-	6.1/F	11.6/F	
1	1	13.5	0	300	225	115	-	-	-	200	-	8210G027	42P	●	-	-	-	20.1/F	-	
1	1	13.5	10	300	300	300	-	-	-	175	-	8210G078 ②	13P	-	-	-	-	17.1/F	-	
1 1/4	1 1/8	15	0	150	125	125	135	120	120	180	180	8210G055 † ◆	43D/32D	●	-	-	-	16.1/F	30.8/F	
1 1/4	1 1/8	15	5	150	150	100	125	125	125	180	150	8210G008 ▼	16D	○	-	-	-	6.1/F	11.6/F	
1 1/2	1 1/4	22.5	0	150	125	125	135	120	120	180	180	8210G056 † ◆	44D/33D	●	-	-	-	16.1/F	30.8/F	
1 1/2	1 1/4	22.5	5	150	150	100	125	125	125	180	150	8210G022 ▼	18D	○	8210G127	52D	●	6.1/F	11.6/H	
2	1 3/4	43	5	150	125	90	50	50	50	180	150	8210G100	20P	●	8210G129	53P	●	6.1/F	11.6/H	
2 1/2	1 3/4	45	5	150	125	90	50	50	50	180	150	8210G101	21P	●	-	-	-	6.1/F	11.6/F	
<b>NORMALLY OPEN (Open when de-energized), NBR Seating (PA Disc-Holder, except as noted)</b>																				
3/8	5/8	3	0	150	150	125	125	125	80	180	150	8210G033	23D	●	-	-	-	10.1/F	11.6/F	
3/8	5/8	3	5	250	200	200	250	200	200	180	180	8210G011 ⑥ ⑧	39D	●	-	-	-	10.1/F	11.6/F	
1/2	5/8	4	0	150	150	125	125	125	80	180	150	8210G034 ✓	23D	●	-	-	-	10.1/F	11.6/F	
1/2	5/8	3	0	150	150	100	125	125	80	180	150	-	-	-	8210G030 ✓	37D	●	10.1/F	11.6/F	
1/2	5/8	4	5	250	200	200	250	200	200	180	180	8210G012 ⑥ ⑧	39D	●	-	-	-	10.1/F	11.6/F	
3/4	3/4	5.5	0	150	150	125	125	125	80	180	150	8210G035 ✓	25D	●	-	-	-	10.1/F	11.6/F	
3/4	5/8	3	0	150	150	100	125	125	80	180	150	-	-	-	8210G038 ✓	38D	●	10.1/F	11.6/F	
3/4	3/4	6.5	5	250	200	200	250	200	200	180	180	8210G013	46D/52D	●	-	-	-	16.1/F	15.8/F	
1	1	13	0	125	125	125	-	-	-	180	-	8210B057 ⑥ ⑧	34D	●	-	-	-	20/F	-	
1	1	13	5	150	150	125	150	150	125	180	180	8210G014	47D/53D	●	-	-	-	16.1/F	15.8/F	
1 1/4	1 1/8	15	0	125	125	125	-	-	-	180	-	8210B058 ⑥ ⑧	35D	●	-	-	-	20/F	-	
1 1/4	1 1/8	15	5	150	150	125	150	150	125	180	-	8210G018	48D/54D	●	-	-	-	16.1/F	15.8/F	
1 1/2	1 1/4	22.5	0	125	125	125	-	-	-	180	-	8210B059 ⑥ ⑧	36D	●	-	-	-	20/F	-	
1 1/2	1 1/4	22.5	5	150	150	125	150	150	125	180	180	8210G032	49D/55D	●	8210G132	29D	●	16.1/F	15.8/F	
2	1 3/4	43	5	150	125	125	150	150	125	180	180	8210G103	50P/56P	●	8210G133	30P	●	16.1/F	15.8/F	
2 1/2	1 3/4	45	5	150	125	125	150	150	125	180	180	8210G104	51P/57P	●	-	-	-	16.1/F	15.8/F	

① 5 psi on Air; 1 psi on Water.

② Valve provided with PTFE main disc.

③ Valve includes Ultem (G.E. trademark) piston.

④ Letter "D" = diaphragm construction; "P" = piston construction.

⑤ ○ Safety Shutoff Valve; ● General Purpose Valve.

Refer to Engineering Section (Approvals) for details.

⑥ Valves not available with Explosionproof enclosures.

⑦ On 50 hertz service, the watt rating for the 6.1/F solenoid is 8.1 watts.

⑧ AC construction also has PA seating.

⑨ No disc-holder.

⑩ Stainless steel disc-holder.

† UL listed for fire protection systems per UL429A 120/60,

110/5024VDC, no prefix and voltage options offered.

‡ DC constructions must have solenoid mounted vertical and upright.

✓ ATEX/IECEx certified with prefix "EV".

▼ ATEX/IECEx certified for DC only with prefix "EV".

◆ Not available in 6 Volt DC. EF and HB prefix only.

♠ Valve available with lead-free brass body and bonnet using suffix "LF". The term "Lead-Free" for brass materials is defined by SDWA 1417 as having a maximum weighted average lead content of 0.25% on the wetted surface area.