

4

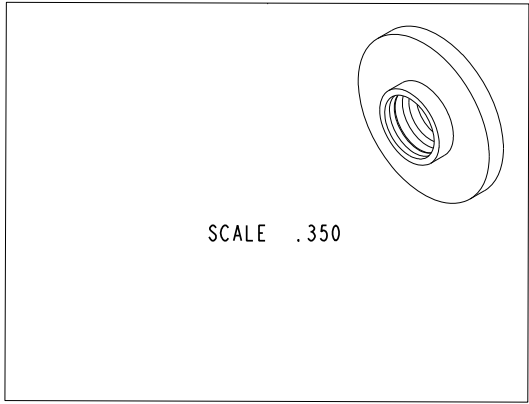
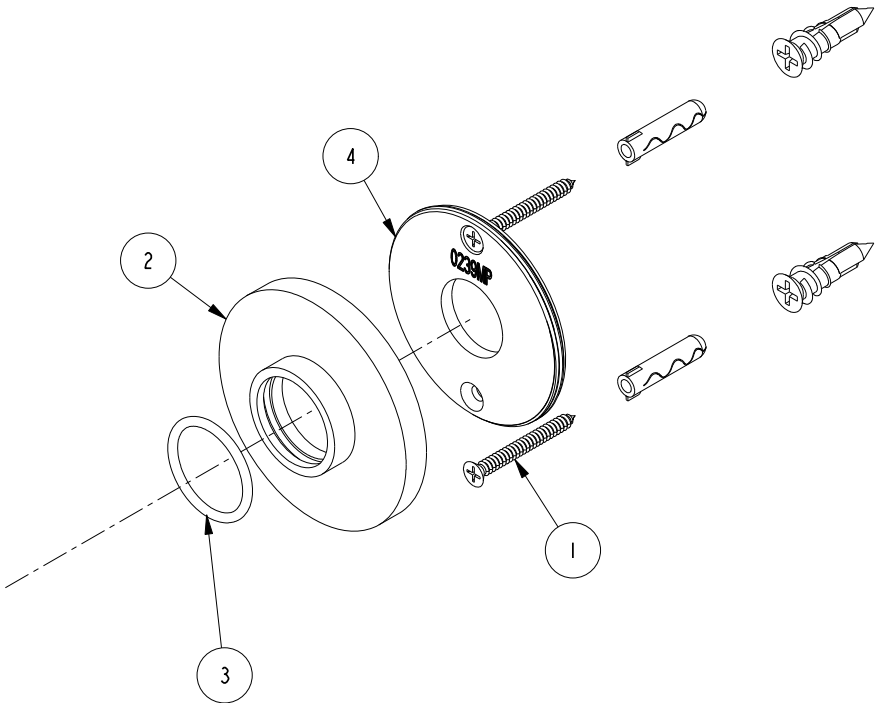
3

2

1

BILL OF MATERIAL (CURRENT LEVEL)

ITEM	PT/ASSY	DESCRIPTION	TYPE	QTY.
1	1-206	HARDWARE PACK	ASSEMBLY	2
2	40447	SHOWER ROD ROSETTE	PART	2
3	91073	O-RING #2-120	PART	2
4	0239MP	MOUNTING PLATE	PART	2



SCALE .350

COPYRIGHT 2005 GINGER. THESE DRAWINGS AND THE DESIGNS DEPICTED HEREIN ARE THE PROPRIETARY PROPERTY OF GINGER. ANY USE OR REPRODUCTION IS SUBJECT TO THE EXPRESS APPROVAL OF GINGER. UNAUTHORIZED USE IS STRICTLY PROHIBITED. ALL RIGHTS RESERVED.

GINGER

2001 E. CARNEGIE AVE.
SANTA ANNA CA 92705
(949) 417-5207

SHOWER ROD BRACKETS

ASSY. NO. 4639B				
SCALE .500	REF. -	SHEET 1 OF 2	REV	REV DESC
				DATE

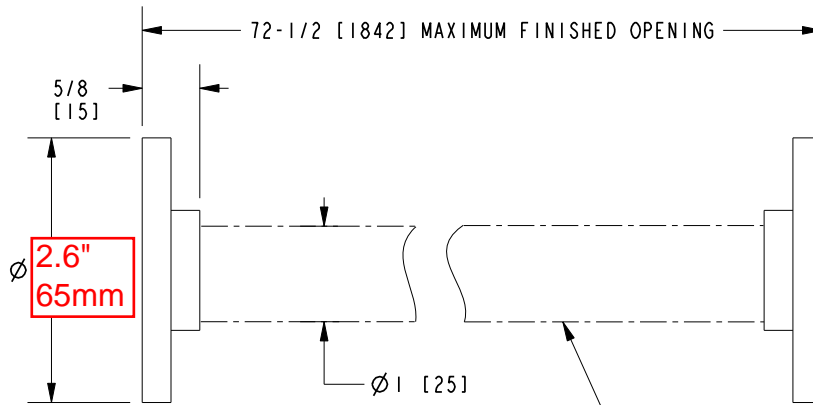
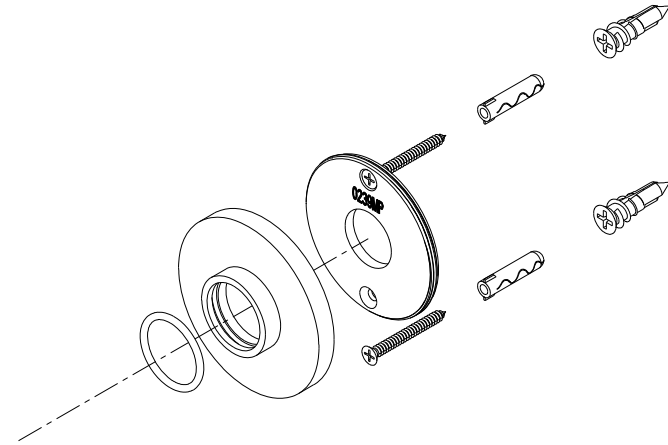
4

3

2

1

SPECIFICATION DWG



PN: 1139R/6
SOLD SEPERATELY

DIMENSIONS ARE IN INCHES AND AN APPROXIMATION OF A TYPICAL INSTALLATION

COPYRIGHT 2005 GINGER. THESE DRAWINGS AND THE DESIGNS DEPICTED HEREIN ARE THE PROPRIETARY PROPERTY OF GINGER. ANY USE OR REPRODUCTION IS SUBJECT TO THE EXPRESS APPROVAL OF GINGER. UNAUTHORIZED USE IS STRICTLY PROHIBITED. ALL RIGHTS RESERVED.

GINGER		2001 E. CARNEGIE AVE. SANTA ANA CA 92705 (949) 417-5207	
DWG NO.	4639B	REV	-
SCALE	.500	REF.	-
		SHEET	2 OF 2