

4

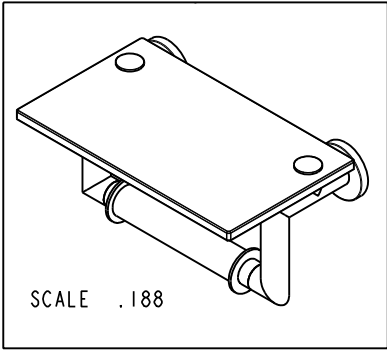
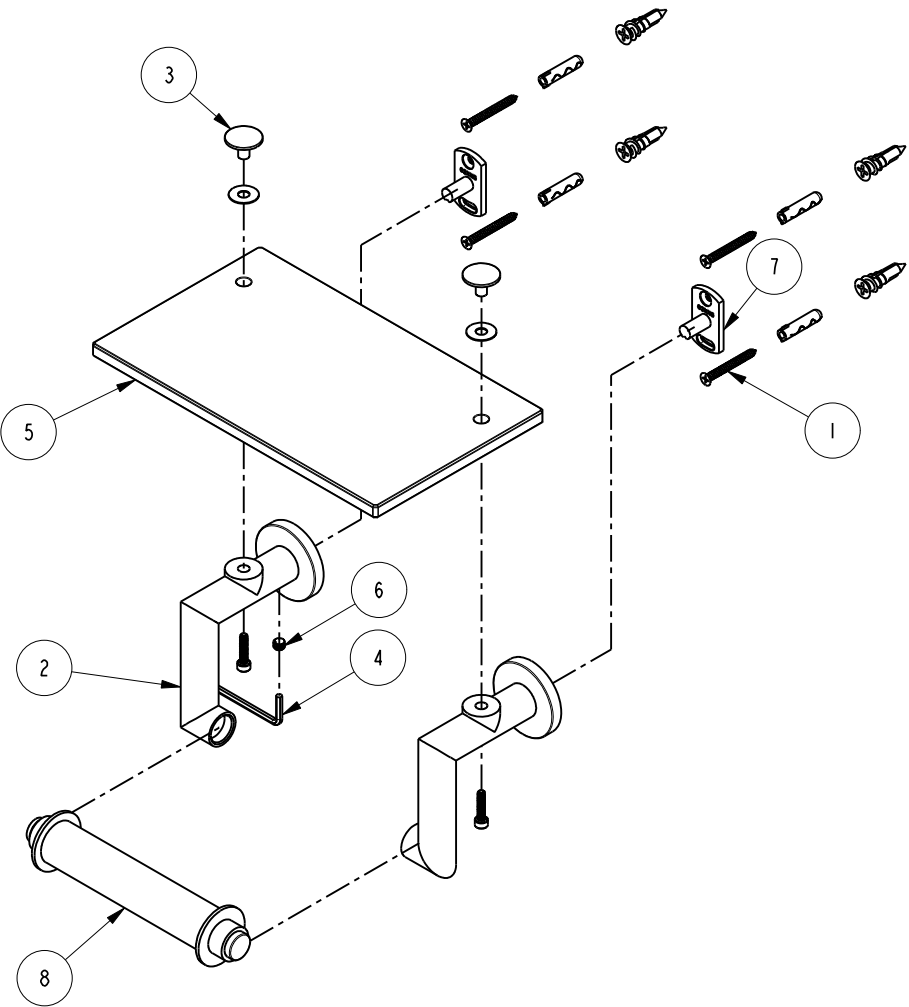
3

2

1

BILL OF MATERIAL (CURRENT LEVEL)

ITEM	PT/ASSY	DESCRIPTION	TYPE	QTY.
1	1-206	HARDWARE PACK	ASSEMBLY	2
2	7-689	COVERED TISSUE POST AND ROSETTE ASSY	ASSEMBLY	1
3	7-719	GLASS MOUNTING HARDWARE KIT	ASSEMBLY	2
4	10615	3MM ALLOY STEEL HEX KEY	PART	1
5	40392	GLASS TEMPERED	PART	1
6	92461	SCRW, M6 X 1 X 6 SKT HD CONE PT SS	PART	2
7	02XXG	MOUNTING BRACKET	PART	2
8	2808T	TOILET TISSUE ROLLER ASSEMBLY	ASSEMBLY	1



COPYRIGHT 2005 GINGER. THESE DRAWINGS AND THE DESIGNS DEPICTED HEREIN ARE THE PROPRIETARY PROPERTY OF GINGER. ANY USE OR REPRODUCTION IS SUBJECT TO THE EXPRESS APPROVAL OF GINGER. UNAUTHORIZED USE IS STRICTLY PROHIBITED. ALL RIGHTS RESERVED.

GINGER

2001 E. CARNEGIE AVE.
SANTA ANNA CA 92705
(949) 417-5207

TISSUE HOLDER W/ SHELF

ASSY. NO. 4627		A	EN-2451	02/04/13
SCALE .250	REF. -	-	EN-0995-1	11/10/10
SHEET 1 OF 2	REV	REV	DESC	DATE

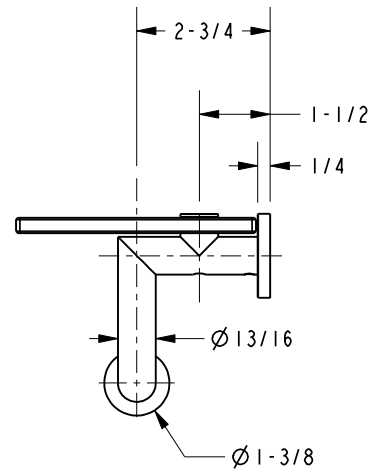
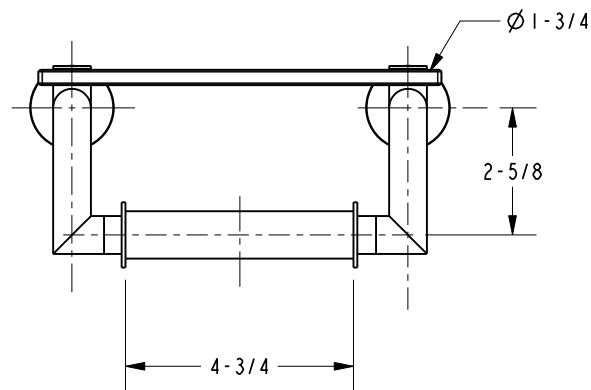
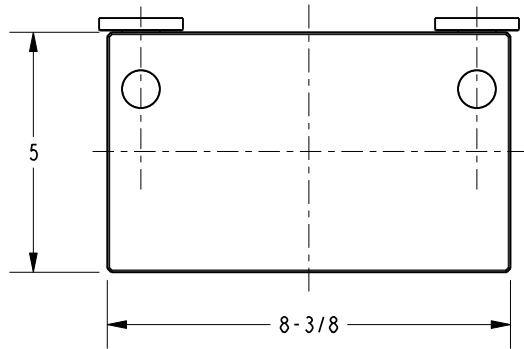
4

3

2

1

SPECIFICATION DWG



DIMENSIONS ARE IN INCHES AND AN APPROXIMATION OF A TYPICAL INSTALLATION

COPYRIGHT 2005 GINGER. THESE DRAWINGS AND THE DESIGNS DEPICTED HEREIN ARE THE PROPRIETARY PROPERTY OF GINGER. ANY USE OR REPRODUCTION IS SUBJECT TO THE EXPRESS APPROVAL OF GINGER. UNAUTHORIZED USE IS STRICTLY PROHIBITED. ALL RIGHTS RESERVED.

GINGER		2001 CARNEGIE AVE. SANTA ANA, CA 92705 (949) 417-5207	
DWG NO.	4627	REV	A
SCALE	.250	REF.	-
		SHEET	2 OF 2