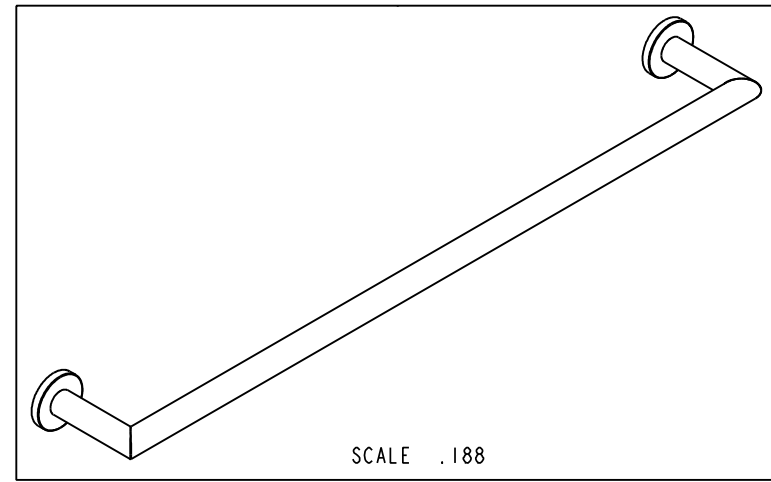
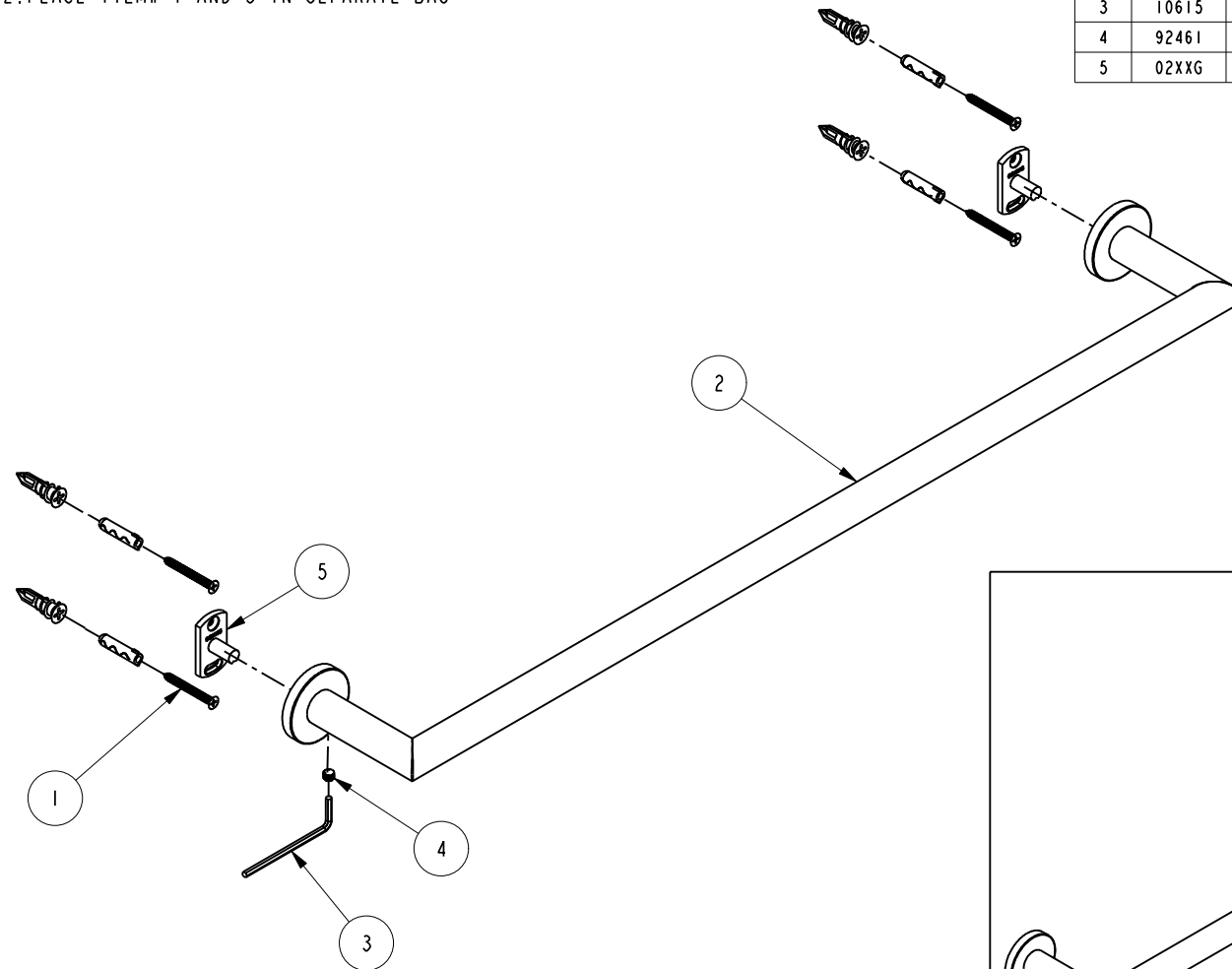


NOTES:

- 1. ITEM# 2 , 4 , 5 ARE PRE-ASSEMBLED
- 2. PLACE ITEM# 1 AND 3 IN SEPARATE BAG

BILL OF MATERIAL (CURRENT LEVEL)

ITEM	PT/ASSY	DESCRIPTION	TYPE	QTY.
1	1-206	HARDWARE PACK	ASSEMBLY	2
2	7-679	INSERT AND TOWEL BAR ASSY	ASSEMBLY	1
3	10615	3MM ALLOY STEEL HEX KEY	PART	1
4	92461	SCRW,M6X1X6 CONE POINT SS SET SCREW	PART	2
5	02XXG	MOUNTING BRACKET	PART	2



COPYRIGHT 2005 GINGER. THESE DRAWINGS AND THE DESIGNS DEPICTED HEREIN ARE THE PROPRIETARY PROPERTY OF GINGER. ANY USE OR REPRODUCTION IS SUBJECT TO THE EXPRESS APPROVAL OF GINGER. UNAUTHORIZED USE IS STRICTLY PROHIBITED. ALL RIGHTS RESERVED.

GINGER

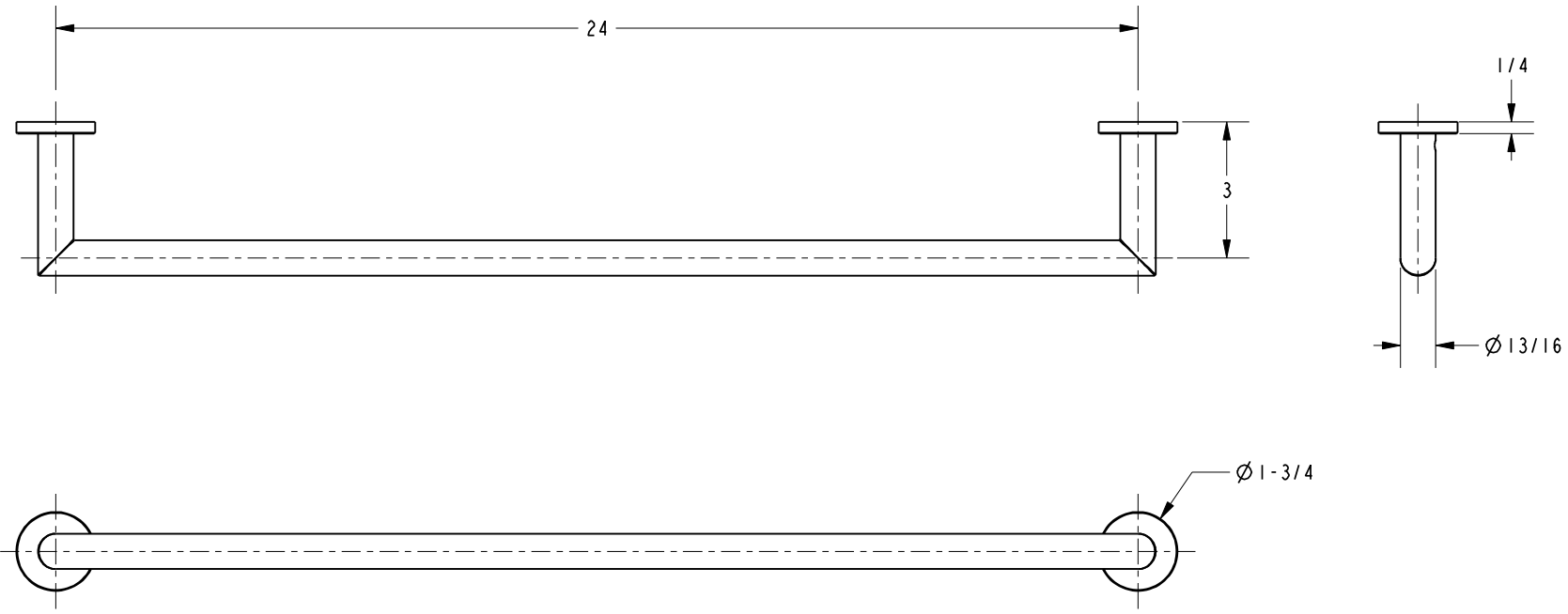
2001 E. CARNEGIE AVE.
SANTA ANNA CA 92705
(949) 417-5207

SINGLE TOWEL BAR - 24"

ASSY. NO. 4603

SCALE .250	REF. -	SHEET 1 OF 2	REV	EN-0995-1	11/10/10
			REV DESC		DATE

SPECIFICATION DWG



DIMENSIONS ARE IN INCHES AND AN APPROXIMATION OF A TYPICAL INSTALLATION

COPYRIGHT 2005 GINGER. THESE DRAWINGS AND THE DESIGNS DEPICTED HEREIN ARE THE PROPRIETARY PROPERTY OF GINGER. ANY USE OR REPRODUCTION IS SUBJECT TO THE EXPRESS APPROVAL OF GINGER. UNAUTHORIZED USE IS STRICTLY PROHIBITED. ALL RIGHTS RESERVED.

GINGER		2001 E. CARNEGIE AVE. SANTA ANNA CA 92705 1949) 417-5207	
DWG NO.	4603	REV	-
SCALE	.250	REF.	-
SHEET		2	OF 2

