

# Elle

The Elle, a classic design

### Available Sizes:

66"L x 32"W x 18"D  
 58 Gallons

72"L x 36"W x 18"D  
 83 Gallons



### Acrylic Tub – construction features

**Acrylic** models finished in 1/8" thick layer of deep lustrous acrylic.

**Extra thick** reinforced fiberglass.

**Pre-wired** pump on pump platform (standard pump location only)

**Integral E-Z** Level platform facilitates installation.

**Non-skid** bottom.

### PVC Systems – include:

**6 Fully** directional adjustable PVC jets

**Anti-vortex** safety suction.

*Color matched* system trim

**Hydrozone** ozone sanitation system

**Rigid PVC** piping

**Self draining** pump and system

**Soft Touch** electronic on/off control with 30-min. integral timer

**2.25 HP** Single Speed Pump

**Cable** waste & overflow

### Hydro Systems – Options:

**Available** as Tub only, Thermal Air, Whirlpool or Combo

**Microban** Antibacterial Protection

**Extra High Density** Fiberglass

**Armrests**

**Custom** jet and pump locations

**Plated** Metallic finish

**Additional** directional Jets

**Swirling**, Rotating, or Jumbo Jets

**Micro Therapy** Jet

**Integral** Waste & Overflow

**1.5 HP** Variable Speed Pump (digital temperature display optional)

**Electronic** low water protection

**In-line** Heater

**Chromatherapy-LED** Lighting System

**Chromatherapy-LED** Mini Spotlights

**Mood Light**

**Grab Bars**

**Back Masseuse**

**Neck Masseuse Pillow**

**Hydro Fusion**

**Hydro Coat**

**Hydro Express** quick ship

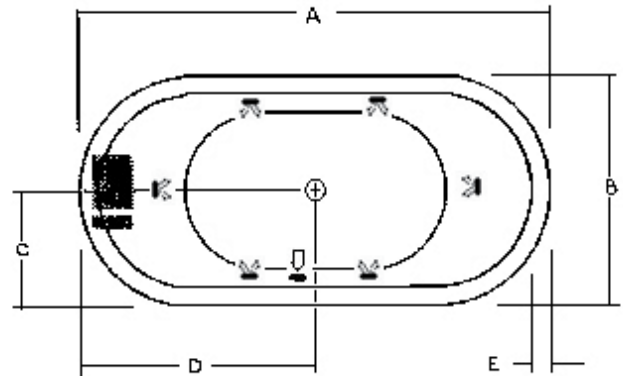
### Approvals & Listings

Commonwealth of Massachusetts  
 UPC & USPC - US & Canada





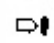



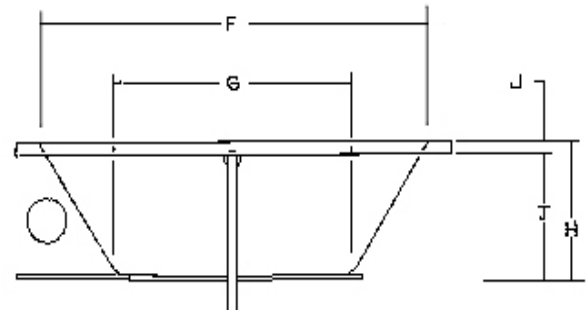
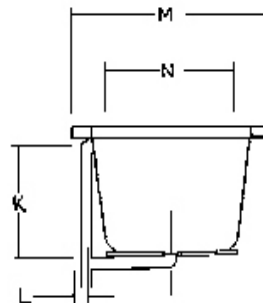
Must be set in Mortar Base



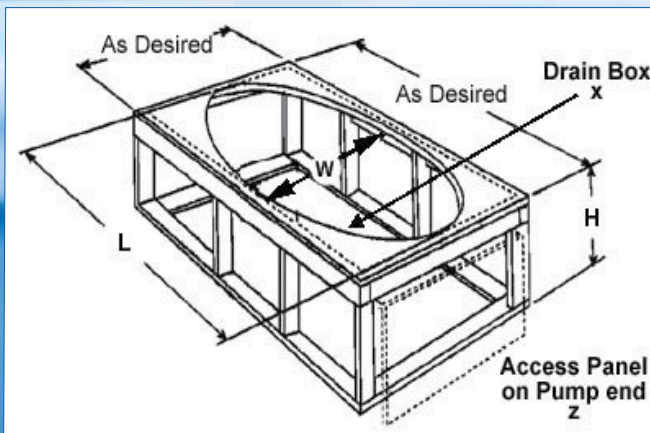
AS SHOWN:  
 Whirlpool option w/ standard jets

ALSO AVAILABLE:  
 Soaking Tub Only, Whirlpool,  
 Thermal Air, Combo

-  Pump motor
-  Jets
-  Anti-vortex suction
-  Overflow location



Model	GC	AC	A	B	C	D	E	F	G	H	I	J	K	L	M	N	Jet	Pump	Wat.Cap.
6632	N/A	√	66"	32"	16"	33"	3"	60"	35"	18"	17¼"	1¾"	2¼"	16½"	26"	21"	6	2.25	58 gal.
7236	N/A	√	72"	36"	18"	36"	3"	66"	42"	18"	17¼"	1¾"	2¼"	16½"	30"	24"	6	2.25	83 gal.
<b>Amp</b>	<b>Volt</b>	<b>Breaker</b>	<b>Dedicated Service</b>																
13.5	120	20 amp	GFCI Protected																



Island Drop-In			
Model	(L)ength	(W)idth	(H)eighth Finish
6632	64"	30"	17¼"
7236	70"	34"	17¼"

*Disclaimer: Certain options or altering the pump/blower location may cause the pump/blower to extend beyond the tub decking.  
 For cutout dimensions wait for unit to arrive.  
 All specifications subject to change without notice.*