

## PVC SYSTEMS INCLUDE:

- 8 Fully directional adjustable PVC jets
- Anti-vortex safety suction
- Color matched system trim
- HydroOzone ozone sanitation system
- Rigid PVC piping
- Self draining pump and system
- Soft Touch electronic on/off control with 30-minute integral times
- 2.25 HP single speed pump
- Cable waste and overflow
- Requires 20 Amp Dedicated GFCI



With its raked deck and classic interior, the bold lines of the Danika create a modern masterpiece that is functional and comfortable. Visit <http://www.hydrosystem.com> for more details on our options and accessories.



## OPTIONS

- Grab Bars
- \* Chromatherapy-LED Lighting System
- Chromatherapy-LED Mini Spotlights
- Microban Antibacterial Protection
- Extra high density fiberglass
- Custom jet and pump locations
- Armrests available
- Waterfall Fill Spout (recirculating option available)
- Plated Metallic finish
- Additional directional Jets
- Swirling, Rotating, or Jumbo Jets
- Micro Therapy Jet
- Integral Waste and Overflow
- 1.5 HP Variable Speed Pump (digital temperature display optional)
- Electronic low water protection
- In-line heater
- Mood Light
- Back Masseur
- Neck Masseur Pillow
- Hydro Fragrance
- Hydro Fusion
- Hydro Coat
- Hydro Express quick ship

**As SHOWN:**

Whirlpool option with standard jets

**FEATURES SHOWN:**

- Jets
- Anti-vortex suction
- Overflow location

**ALSO AVAILABLE:**

- Soaking tub only
- Whirlpool
- Thermal Air
- Combo

**SIZE:**

73.41.21

**WATER CAPACITY:**

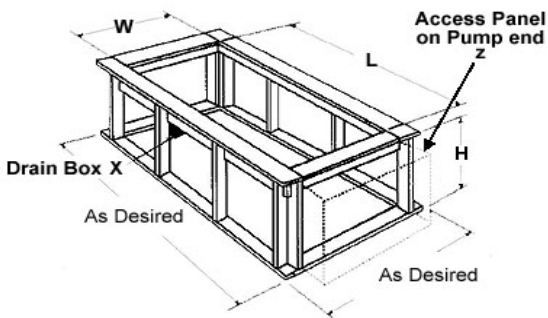
95 Gallons

**WEIGHT:**

XXX Pounds

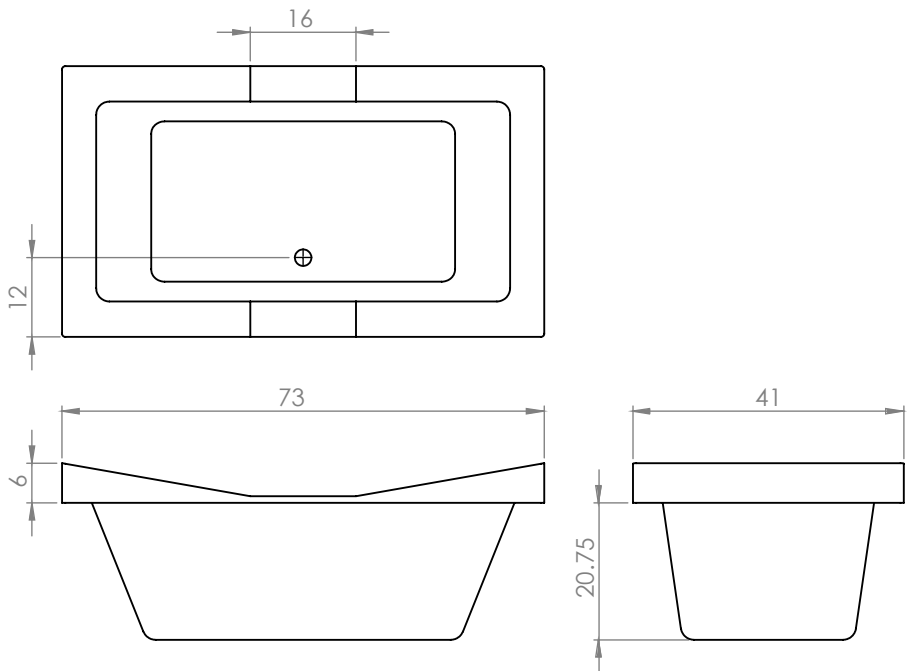
**MODEL7248 DIMENSIONS:**

- (L)ength- 73"
- (W)idth- 41"
- (H)eight Finish- 21"



**ACRYLIC TUB**

- Acrylic models finished in 1/8" thick layer of deep lustrous acrylic
- Extra thick reinforced fiberglass
- Pre-wired pump on pump platform (standard pump location only)
- Integral E-Z level platform facilitates installation
- Non-skid bottom



**CODES AND COMPLIANCES**

Massachusetts code File no: P1-0614-491

