

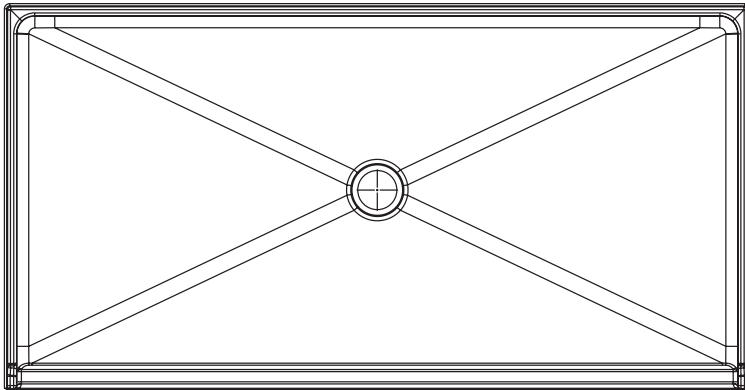
F6032APAN – ACCESSIBLE SHOWER BASE

inches

Interior: 60 x 30 x 5 1/8

Exterior: 62 x 32 x 5 1/8

This shower base features innovative installation design, including an engineered leveled base and improved front threshold. A true time and money saver, our pre-leveled base lets you install directly on a **level** floor. And its front threshold is engineered to keep a constant level without the use of brackets during installation.



FEATURES

- Pre-leveled base
- Premium cast acrylic surface
- 3/4 skirt
- 1/2 beveled threshold
- Barrier free when properly installed
- Integral nailing flange
- Center drain
- 5-year limited warranty

CODE COMPLIANCE

- ADA
- ICC/ANSI A117.1
- IAPMO Z124-2017
- CAN/CSA-B651-04
- HUD UM73a
- CSA B45-02

**Code compliant when fully equipped and installed according to guidelines.

AQUATIC ADVANTAGE

- National distribution
- 7 manufacturing facilities
- Private fleet
- Centralized customer service
- Field support

COLOR & TRIM OPTIONS

| Stock | Upgraded |
|-------|----------|
| White | Biscuit |

**Additional custom colors available.
(Contact Customer Service)



Aquatic products may be specified as Lasco Bathware.



Aquatic products may be specified as Lasco Bathware.

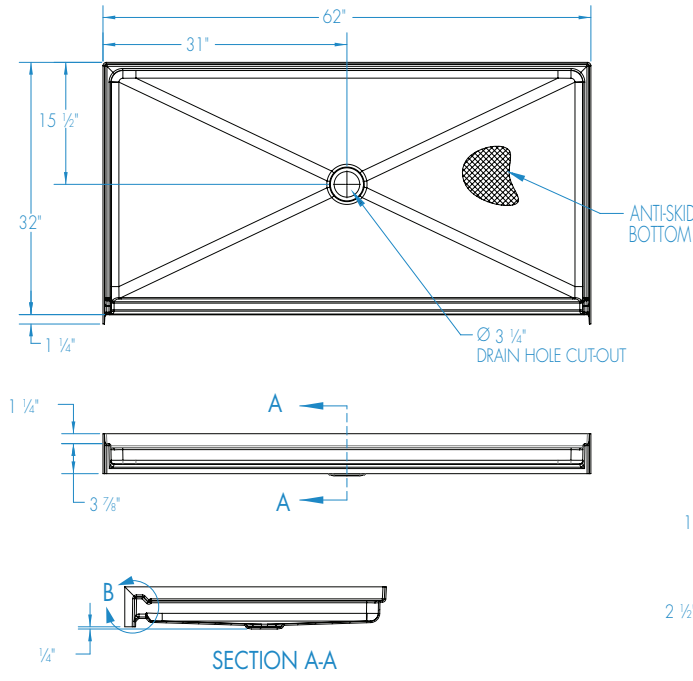
F6032APAN

Interior: 60 x 30 x 5 1/8

Exterior: 62 x 32 x 5 1/8
inches



ADA/ANSI compliant when fully equipped and installed according to guidelines.



FEATURES

Dimensional Tolerance $\pm 3/8"$. Dimensions needed for site preparation should be measured from the unit. Aquatic assumes no responsibility for preparatory work.

| Type and Model # | Material | Wall Finish | Pieces | Drain | Dam/Skirt Height | Net Wt. lbs | Pkg. Wt. lbs |
|-----------------------|--------------|-------------|--------|--------|-------------------------------------|-------------|--------------|
| Shower pan #F6032APAN | Cast Acrylic | Smooth | 1 | Center | 3/4" skirt, 1/2" interior threshold | 31 | 40 |

DIMENSIONS

| Specifications | inches |
|-------------------------------|---------------|
| Width: Overall / Net | 62 / 60 |
| Depth: Overall / Net | 32 / 30 |
| Height: Overall / Net | 5 1/8 / 5 1/8 |
| Skirt Height: | 1 1/4 |
| Rough-In (from Back Wall) | 15 1/2 |
| Rough-Center (from Side Wall) | 31 |

FRAMING DIMENSIONS inches

| Type | D Depth | W Width | H Height | A | B | C |
|--------|---------|---------|----------|---------|----|--------|
| Alcove | 32 | 62 1/8 | - | Box Out | 31 | 15 1/2 |

