

6034APAN – EVERYDAY SHOWER PANS

60 x 34 x 6 inches



Shown with optional brass drain assembly.

FEATURES

- Shower pan
- Slip-resistant, textured bottom
- Integral tiling flange (3T)
- Center drain
- Premium cast acrylic surface
- Lifetime limited warranty

OPTIONS

- Brass drain assembly and cover

AQUATIC ADVANTAGE

- National distribution
- 6 manufacturing facilities
- Private fleet
- Centralized customer service
- Field support

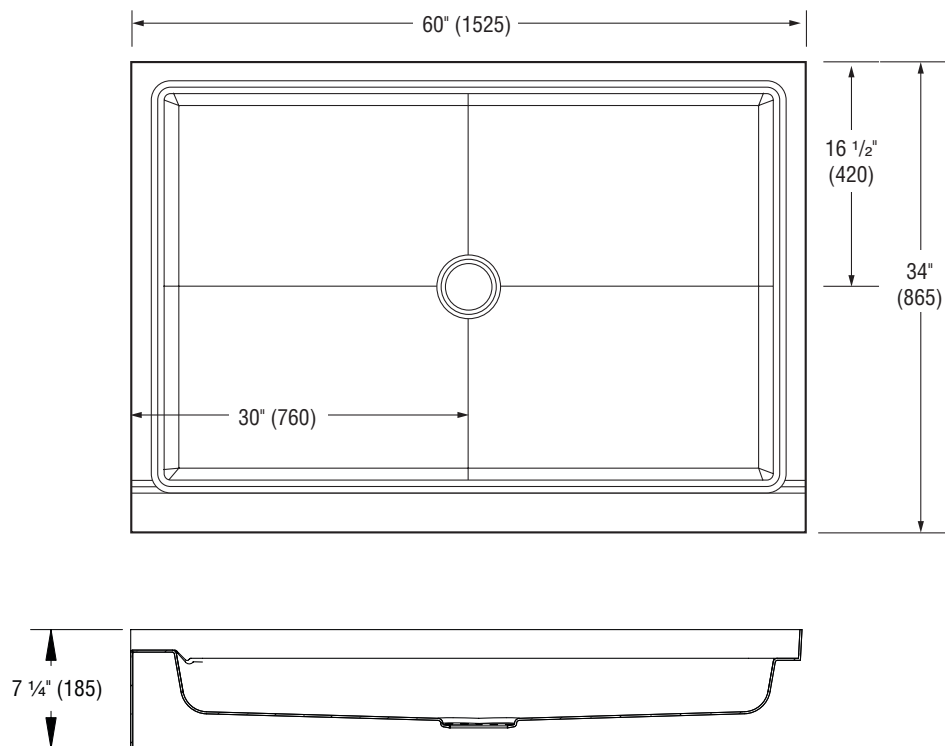
COLOR OPTIONS

| Stock | Upgraded |
|-------|----------|
| White | Biscuit |



6034APAN

60 x 34 x 6 inches



FEATURES lbs Dimensional Tolerance $\pm \frac{3}{8}$ ". Dimensions needed for site preparation should be measured from the unit. Aquatic assumes no responsibility for preparatory work.

| Model # | Material | Drain | Net Wt. | Pkg. Wt. |
|----------------------|--------------|--------|---------|----------|
| Shower Pan #6034APAN | Cast Acrylic | Center | 34 | 39 |

DIMENSIONS

| Specifications | inches |
|---------------------------------|-----------|
| Width: Overall / Net | 60 |
| Depth: Overall / Net | 34 |
| Height: Overall / Net | 7 1/4 / 6 |
| Enclosure Opening | - |
| Skirt Height | 6 |
| Drain Rough-In (from Back Wall) | 16 1/2 |
| Drain Rough-In (from Side Wall) | 30 |
| Drain: Diameter / Clearance | 3 1/4 / 1 |

FRAMING DIMENSIONS inches

| Type | D Depth | W Width | H Height | A | B | C |
|--------|------------|------------|-------------|---------|----|--------|
| Alcove | 34 | 60 | - | Box Out | 30 | 16 1/2 |

