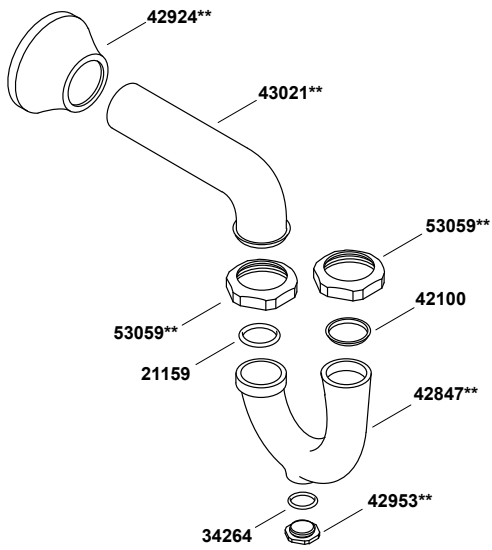




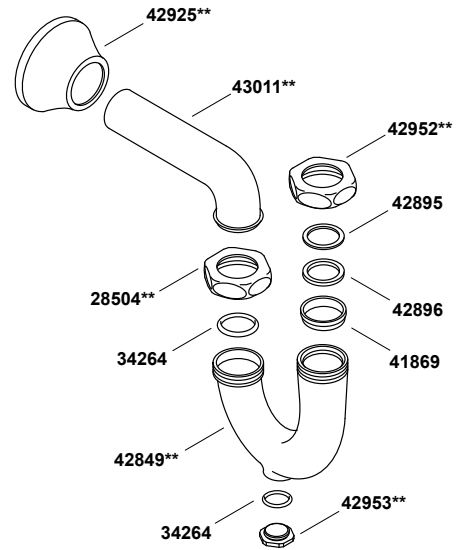
Morningside™



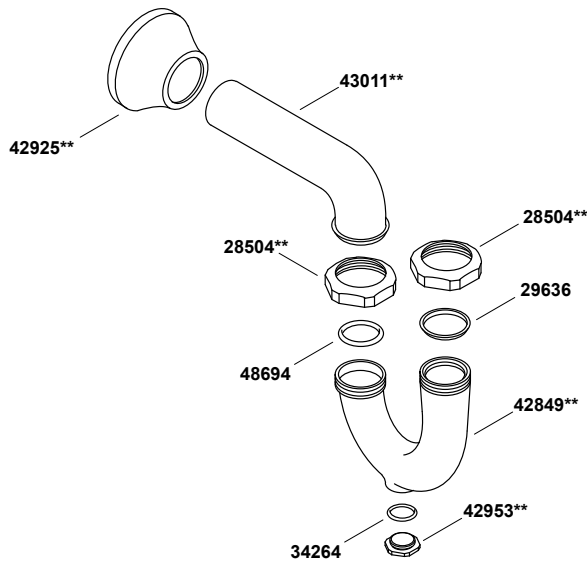
20" x 27" mounted/concealed arm carrier wheelchair bathroom sink
K-12636-0



1-1/4" (3.2 cm) X 1-1/4" (3.2 cm)



1-1/4" (3.2 cm) X 1-1/2" (3.8 cm)





Morningside™



20" x 27" mounted/concealed arm carrier wheelchair bathroom sink
K-12636-0

