



# Lustra™ Q2™ Advantage™

Toilet Seat  
K-4652-A

## Features

- Solid polypropylene plastic.
- Elongated closed-front seat.
- Contoured seat for user comfort.
- Anti-microbial agent inhibits growth of odor-causing bacteria, mold, and mildew.
- Quick-Release™ hinge caps snap open and seat pulls forward for removal.
- Quick-Attach™ stainless steel fastener allows for top-mount screwdriver only install.



## Codes/Standards

IAPMO/ANSI Z124.5

## KOHLER® One-Year Limited Warranty

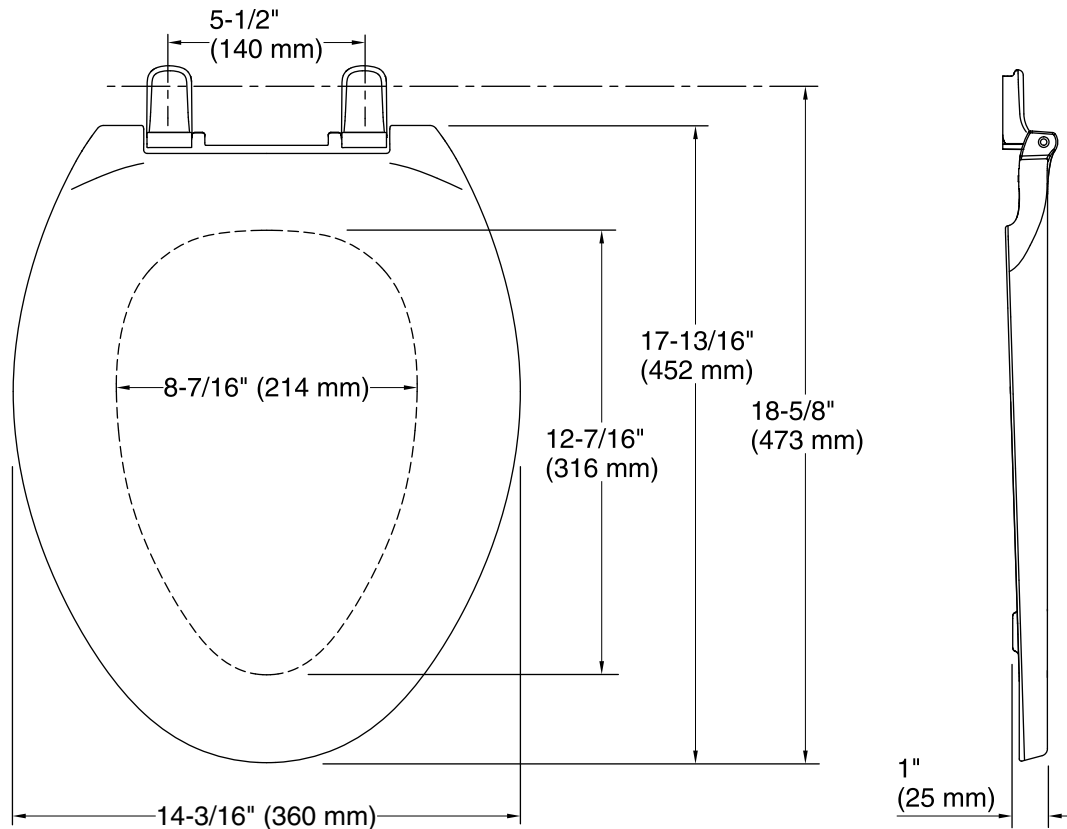
See website for detailed warranty information.

## Available Color/Finishes

*Color tiles intended for reference only.*

Color	Code	Description
-------	------	-------------

	0	White
--	---	-------



### Technical Information

All product dimensions are nominal.

- Seat shape type: Elongated  
Seat front type: Closed front  
Seat hinge type: Quick-Attach®, Quick-Release™  
Seat-mounting holes: 5-1/2" (140 mm)

### Notes

Install this product according to the installation guide.