

# 36J Series

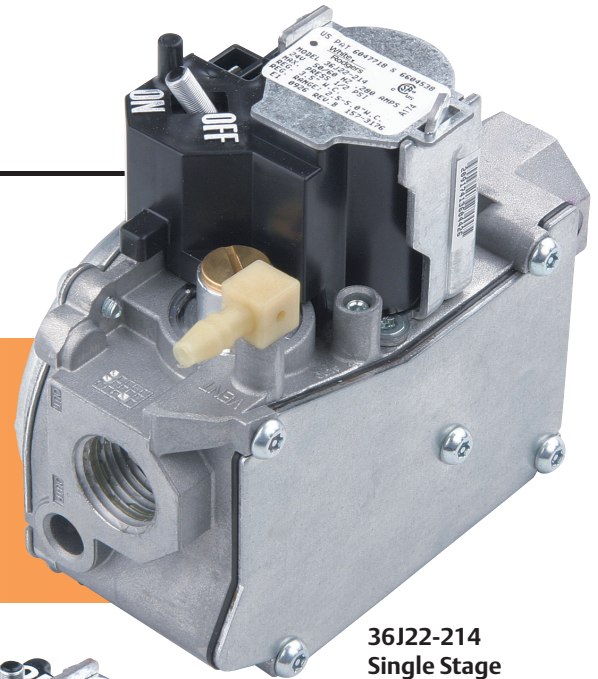
## Electronic Ignition Gas Valves

HSI / DSI

Single Stage / Two-Stage

Fast / Slow Opening

Max. Capacity @ 1" PD – 140,000 BTU/HR



36J22-214  
Single Stage

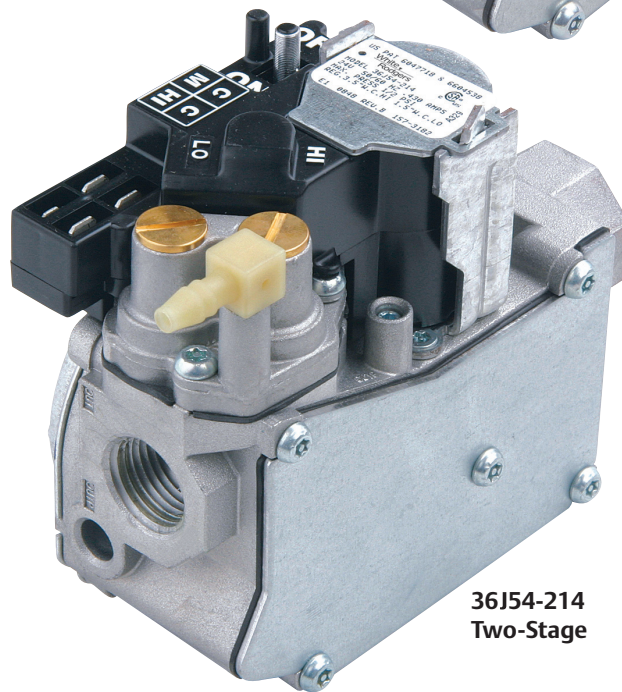
### *Backed with Tools to Help Specify, Sell and Install Faster*

#### Updated Packaging Includes

- Clear application description
- Key features and specifications
- Popular model cross reference printed on box
- QR code access for latest cross reference
- Updated installation instructions with wiring diagrams (in English, French and Spanish)

#### Complete Online Cross Reference

- Full cross reference for White-Rodgers and competitive gas valves



36J54-214  
Two-Stage

The versatile 36J Series gas valves cover a wide range of applications. Designed for use with common electronic ignition systems (HSI/DSI), it replaces hundreds of existing models in the field.

***White-Rodgers is the leading manufacturer of gas valves to the OEM. When it's time to replace – replace with the same brand trusted by OEM's on their equipment!***

White  
Rodgers™

EMERSON  
Climate Technologies

# 36J Series

Full Online Cross Reference



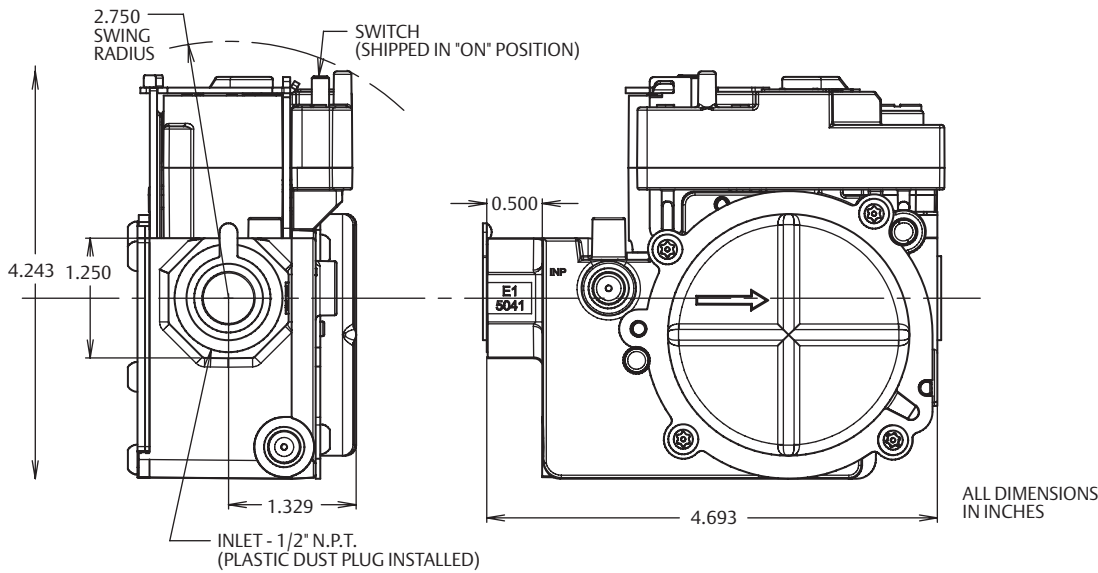
## Electronic Ignition Gas Valves (HSI / DSI)

### Features

- Convertible – natural or LP gas
- Adjustable regulator(s)
- Inlet/outlet screens
- Electric on-off switch
- Pressure taps
- CSA approved

### Specifications

Electrical Rating .....	0.28 Amps (Single Stage) 0.43 Amps (Two-Stage)
Voltage .....	24 VAC
Frequency .....	50/60 Hz
Operating Ambient Temperature .....	-40° to 175°F (-40° to 79°C)
Pressure Rating (max.).....	1/2 PSI (14.0" W.C.)



Pipe Size (36J)	1" PD Capacity BTU/HR		Valve Stages	Regulator Adjustment Range	
	NAT GAS 0.64 Sp. Gr. (1000 BTU/HR)	LP GAS 1.53 Sp. Gr. (2500 BTU/HR)		Nat. Gas	LP Gas
1/2" x 1/2"	140,000	226,800	Single Stage	2.5" to 5.0"	7.0" to 12.0"
1/2" x 1/2"	140,000	226,800	Two-Stage	1.0" – 4.0" Low 2.0" – 5.0" High	4.0" – 10.0" Low 6.0" – 12.0" High

Model Number	Voltage	Type of Gas	Pipe Size	Opening Characteristics	Regulator Setting	Convertible Nat./LP	LP Conversion Kit Included	Flow Direction	Reducer Bushing Kit	Filter Screen	Pressure Tap Inlet & Outlet
36J22-214	24 VAC	Nat./LP	1/2 x 1/2	Fast	3.5"	Yes	Yes	Str. Thru	Yes	Yes	Yes
36J24-214	24 VAC	Nat./LP	1/2 x 1/2	Slow	3.5"	Yes	Yes	Str. Thru	Yes	Yes	Yes
36J54-214	24 VAC	Nat./LP	1/2 x 1/2	2-Stage – Fast	LO 1.5" – HI 3.5"	Yes	Yes	Str. Thru	Yes	Yes	Yes
36J55-214	24 VAC	Nat./LP	1/2 x 1/2	2-Stage – Slow	LO 1.5" – HI 3.5"	Yes	Yes	Str. Thru	Yes	Yes	Yes
36J24-614	24 VAC	Nat./LP	1/2 x 1/2	Slow	3.5"	Yes	Yes	90° Bottom Outlet	No	Yes	Yes
36J55-614	24 VAC	Nat./LP	1/2 x 1/2	2-Stage – Slow	LO 1.5" – HI 3.5"	Yes	Yes	90° Bottom Outlet	No	Yes	Yes