

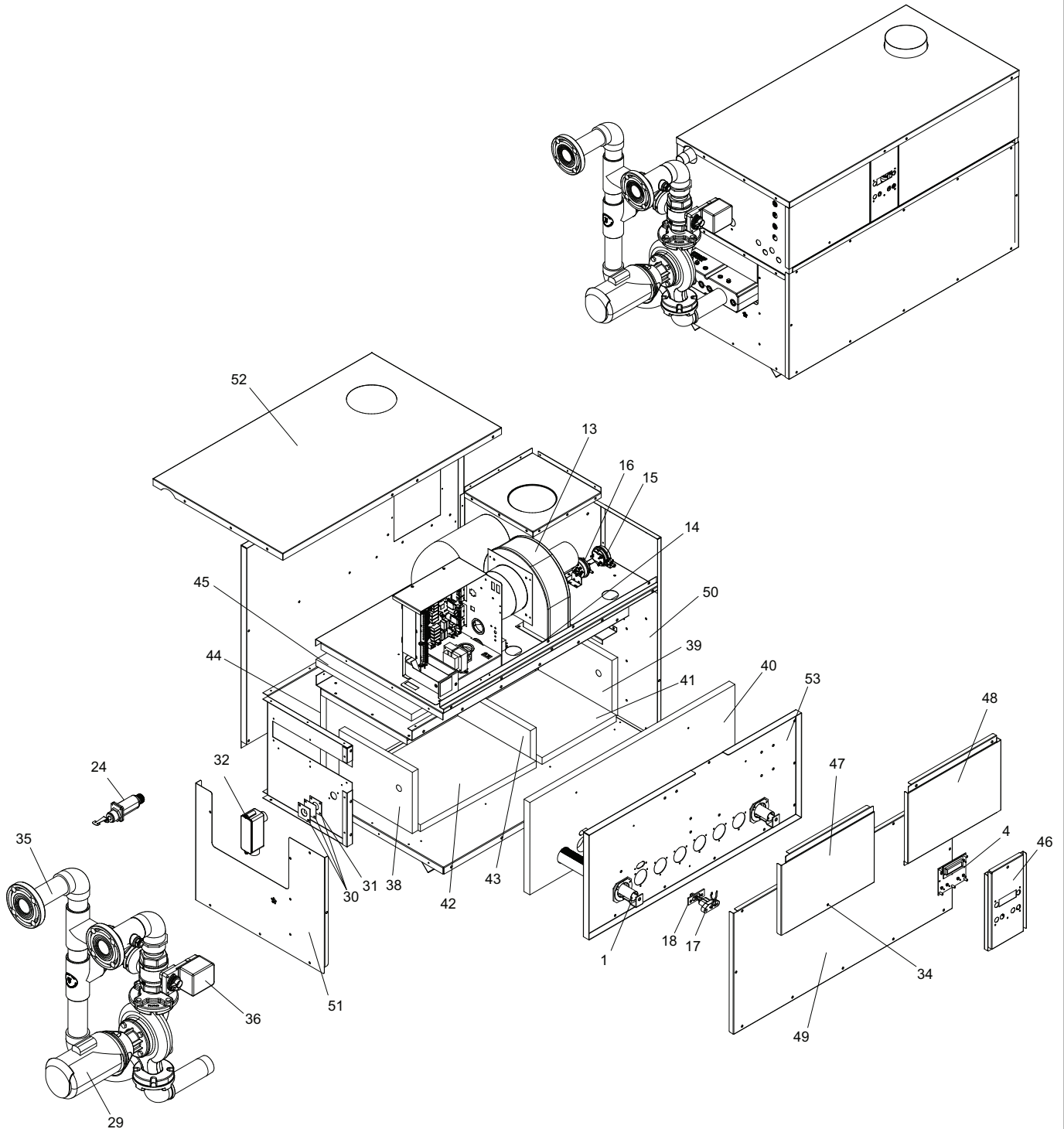


**Lochinvar**<sup>®</sup>  
HIGH EFFICIENCY BOILERS & WATER HEATERS

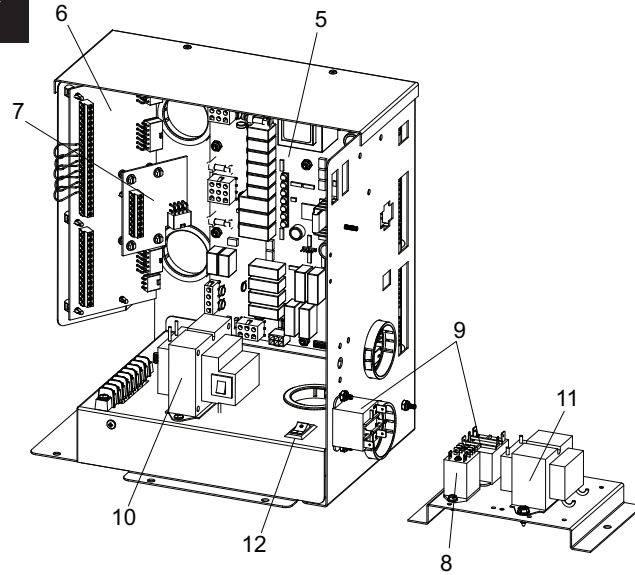
**PARTS & SERVICE DEPARTMENT**  
Nashville, Tennessee  
877-554-5544 • Fax: 615-547-1000  
parts\_team@lochinvar.com  
www.Lochinvar.com

## Replacement Parts List

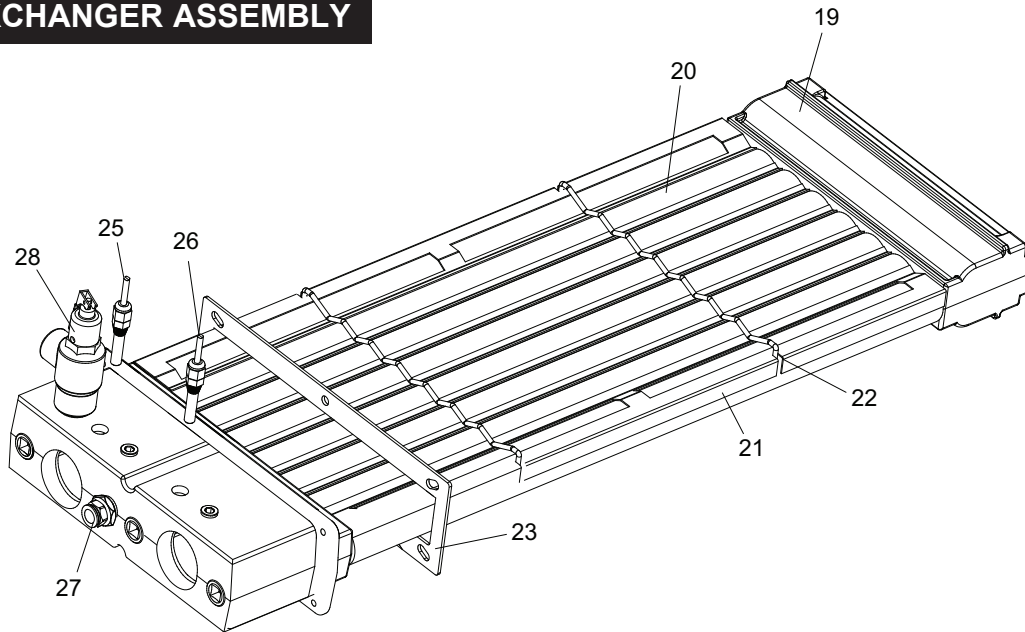
### Copper-Fin<sup>2</sup><sup>®</sup> Commercial Pool Heaters CP 502 -752



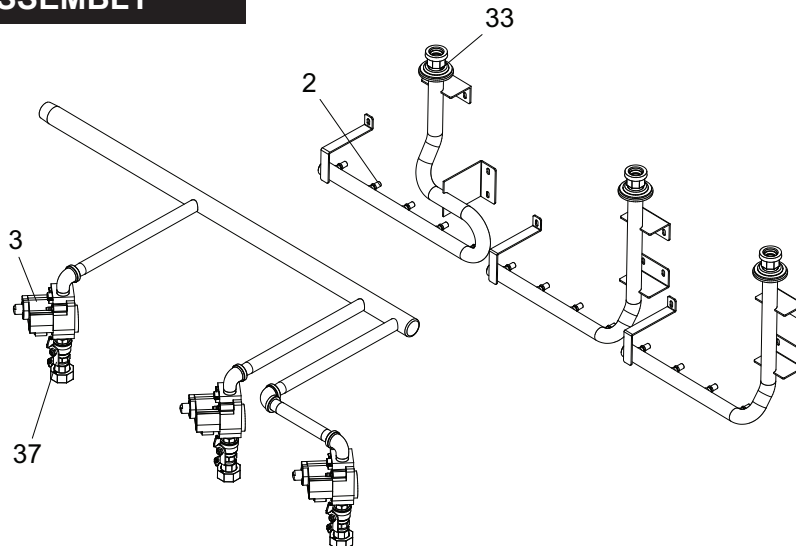
## CONTROL PANEL ASSEMBLY



## HEAT EXCHANGER ASSEMBLY



## GAS TRAIN ASSEMBLY



ITEM NO.	PART NO.	DESCRIPTION	MODEL NO.
<b>BURNERS</b>			
1	100135300 is Main Burner	Model 100135270 100135300	
		502 1 ea 9 ea	
	100135270 is Main Burner w/ compression fitting.	652 1 ea 12 ea	
		752 1 ea 14 ea	
<b>GAS TRAIN ASSEMBLIES</b>			
2	100208344	ORIFICE, NATURAL	ALL
2	100208345	ORIFICE, LP	ALL
3	100208601	GAS VALVE ASSEMBLY, NATURAL	ALL
3	100208608	GAS VALVE ASSEMBLY, LP	ALL
<b>CONTROLS &amp; GAUGES</b>			
4	<b>100208468*</b>	USER INTERFACE CONTROL	ALL
5	<b>100208469*</b>	MAIN CONTROL BOARD	ALL
6	<b>100208475*</b>	CONNECTION BOARD	ALL
7	<b>100167850*</b>	SENSOR BOARD	ALL
8	<b>100208490*</b>	RELAY, 120V, 1.2VA	ALL
9	<b>100208509*</b>	RELAY, 120VAC, 60HZ, 10.8 AMP	ALL
10	100208246	TRANSFORMER, 24V, 60VA	ALL
11	100208249	TRANSFORMER, 27.5V, 50VA	502
11	100208246	TRANSFORMER, 24V, 60VA	652 & 752
12	100208242	ON/OFF SWITCH W/ I-O SYMBOL	ALL
13	100233485	FAN ASSEMBLY	ALL
14	<b>100233678*</b>	GASKET, FAN	ALL
15	<b>100294585*</b>	PRESSURE SWITCH, .68" WATER COLUMN	ALL
16	<b>100208384*</b>	PRESSURE SWITCH, .85" WATER COLUMN	ALL
17	<b>100165937*</b>	IGNITOR, HOT SURFACE	ALL
18	<b>100208087*</b>	GASKET, IGNITOR	ALL
<b>HEAT EXCHANGER</b>			
19	100147346	HEAT EXCHANGER, HLW (PRIOR TO 4-1-2017)	502
19	100147348	HEAT EXCHANGER, HLW (PRIOR TO 4-1-2017)	652
19	100147350	HEAT EXCHANGER, HLW (PRIOR TO 4-1-2017)	752
19	100147344	HEAT EXCHANGER, H (BEGINNING 4-1-2017)	502
19	100147347	HEAT EXCHANGER, H (BEGINNING 4-1-2017)	652
19	100147349	HEAT EXCHANGER, H (BEGINNING 4-1-2017)	752
20	100151232	V-BAFFLE (5 REQ.)	502
20	100290355	V-BAFFLE (5 REQ.)	652
20	100151234	V-BAFFLE (5 REQ.)	752
21	100151525	V-BAFFLE FRAME RUNNER (2 REQ)	502
21	100151526	V-BAFFLE FRAME RUNNER (2 REQ)	652
21	100151527	V-BAFFLE FRAME RUNNER (2 REQ)	752
22	100163183	V-BAFFLE RETAINER (2 REQ)	ALL
23	100208106	GASKET, HEAT SHIELD	ALL
24	100208655	FLOW SWITCH	ALL
25	100208559	SENSOR,DUAL IMMERSION, OUTLET	ALL
26	100208553	SENSOR, IMMERSION, INLET	ALL
27	100233496	BULB WELL 3/4" NPT X .382 ID	ALL
28	100208446	T&P RELIEF VALVE, 3/4", 150 PSI	ALL
<b>PUMP</b>			
29	100133611	PUMP ASSEMBLY, 1/4 HP, 2" FLANGE, BRONZE	ALL
<b>MISCELLANEOUS</b>			
30	100163259	SIGHT GLASS KIT	ALL
31	100233729	GASKET, SIGHT GLASS	ALL
32	100289397	CONDUIT BODY	ALL
33	100208097	GASKET, ESCUTCHEON, 3/4"	ALL
34	100289391	SCREW, KNURLED HEAD	ALL
35	100166615	CPVC PIPING LOOP 2" HORIZONTAL	ALL
35	100166614	CPVC PIPING LOOP 2" VERTICAL	ALL
36	100285166	VALVE, BYPASS, 3-WAY	ALL
37	100288508	GAS SHUT-OFF VALVE, 3/4" NPT, BRASS	ALL
-	<b>100209264*</b>	ACTUATOR, 3-WAY VALVE (NOTE: MOUNTING KIT 100340177 REQUIRED TO REPLACE A HONEYWELL OR NEPTRONIC ACTUATOR)	ALL

PLEASE HAVE MODEL NUMBER AND SERIAL NUMBER WHEN ORDERING PARTS  
\*ITEMS DENOTE SUGGESTED INVENTORY PARTS

ITEM NO.	PART NO.	DESCRIPTION	MODEL NO.
<b>MISCELLANEOUS CONTINUED</b>			
-	100233577	FILTER 12" X 12" X 1"	ALL
-	100146604	GASKET STRIP, FIBERGLASS, WHITE	ALL
-	100208231	FUSE, 3.15A / 250V	ALL
-	100208232	FUSE, 5A / 250V	ALL
-	100290347	PIPE ESCUTCHEON GASKET, 1-1/4"	ALL
-	100233587	GASKET, BURNER	ALL
-	100146588	GASKET, PVC - 1/4" X 5/8" BLACK	ALL
-	100289393	PLASTIC BARBED TEE, 3/16"	ALL
-	100208319	CAP, 3/16" TEE FITTING	ALL
-	100208572	TUBING - 3/16" X 5/16" GRAY	ALL
-	100208573	TUBING - 1/8" ALUMINUM	ALL
-	100173747	LOW WATER CUT-OFF / MANUAL RESET	ALL
-	100173748	LOW WATER CUT-OFF / AUTO RESET	ALL
-	100208662	LOW WATER CUT-OFF, PROBE	ALL
-	100277801	BOOT, LOW WATER CUT-OFF	ALL
-	100157647	HIGH / LOW GAS PRESSURE SWITCH KIT	ALL
-	100208401	LOW GAS PRESSURE SWITCH	ALL
-	100327234	HIGH GAS PRESSURE SWITCH	ALL
<b>LOCH-HEAT TILE</b>			
38	100233555	LOCH-HEAT TILE, FRONT HEAD SIDE	ALL
39	100145466	LOCH-HEAT TILE, REAR HEAD SIDE	ALL
40	100145468	LOCH-HEAT TILE, FRONT DOOR	502
40	100145399	LOCH-HEAT TILE, FRONT DOOR	652
40	100145400	LOCH-HEAT TILE, FRONT DOOR	752
41	100145694	LOCH-HEAT TILE, RIGHT / LEFT BOTTOM	502
41	100145695	LOCH-HEAT TILE, RIGHT BOTTOM	652
41	100233571	LOCH-HEAT TILE, RIGHT / LEFT BOTTOM	752
-	100145369	LOCH-HEAT TILE, MIDDLE BOTTOM	652
-	100145697	LOCH-HEAT TILE, MIDDLE BOTTOM	752
42	100145694	LOCH-HEAT TILE, RIGHT / LEFT BOTTOM	502
42	100145368	LOCH-HEAT TILE, LEFT BOTTOM	652
42	100233571	LOCH-HEAT TILE, RIGHT / LEFT BOTTOM	752
43	100233575	LOCH-HEAT TILE, DIVIDER	ALL
44	100145613	LOCH-HEAT TILE, BACK	502
44	100145614	LOCH-HEAT TILE, BACK	652
44	100145615	LOCH-HEAT TILE, BACK	752
45	100145675	INSULATION PAD, TOP	502
45	100145676	INSULATION PAD, TOP	652
45	100145677	INSULATION PAD, TOP	752
<b>JACKET ASSEMBLIES</b>			
46	100151265	JACKET, OUTER FRONT UPPER MIDDLE	ALL
47	100151490	JACKET, OUTER FRONT UPPER LEFT	502
47	100151492	JACKET, OUTER FRONT UPPER LEFT	652 & 752
48	100151266	JACKET, OUTER FRONT UPPER RIGHT	502
48	100151267	JACKET, OUTER FRONT UPPER RIGHT	652
48	100151269	JACKET, OUTER FRONT UPPER RIGHT	752
49	100151482	JACKET, OUTER FRONT LOWER	502
49	100151483	JACKET, OUTER FRONT LOWER	652
49	100151484	JACKET, OUTER FRONT LOWER	752
50	100151474	JACKET, OUTER REAR HEAD	502
50	100151496	JACKET, OUTER REAR HEAD	652 & 752
51	100151472	JACKET, OUTER FRONT LOWER HEAD	ALL
52	100151477	JACKET, OUTER TOP	502
52	100151478	JACKET, OUTER TOP	652
52	100151479	JACKET, OUTER TOP	752
53	100151262	DOOR, COMBUSTION CHAMBER	502
53	100151263	DOOR, COMBUSTION CHAMBER	652
53	100151264	DOOR, COMBUSTION CHAMBER	752

PLEASE HAVE MODEL NUMBER AND SERIAL NUMBER WHEN ORDERING PARTS  
\*ITEMS DENOTE SUGGESTED INVENTORY PARTS