

SPECIFICATIONS

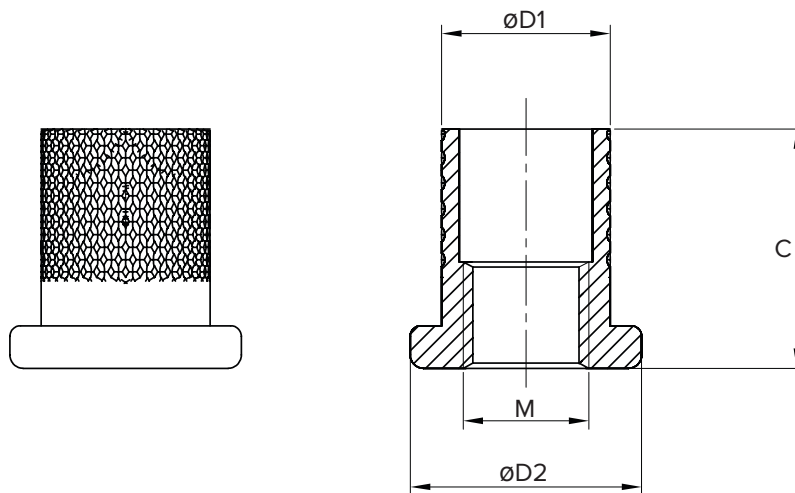
FIGURE 701XRN
STRUT ACCESSORIES



RIVET NUT FOR LOOP HANGER

FEATURES

- These insert rivet nuts are used to attach loop and swivel hangers to threaded rod.
- Compatible with any FNW loop or swivel hanger



Catalog Number	M		D1		D2		C	
	in.	mm	in.	mm	in.	mm	in.	mm
FNW701XRNC	3/8-16 UNC	10	0.52	13	0.87	22	0.89	23
FNW701XRND	1/2-13 UNC	13	0.66	17	1.04	27	1.06	27
FNW701XRNE	5/8-11 UNC	16	0.78	20	1.18	30	1.1	28