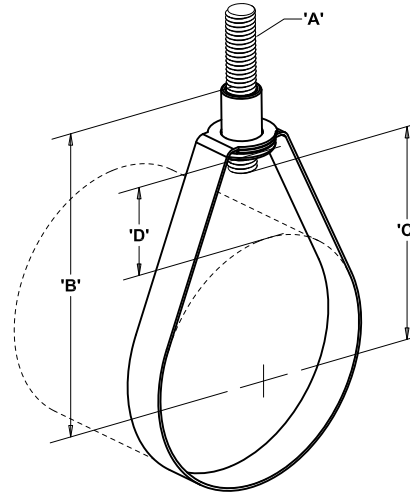


**FIGURE 7015 - Adjustable Swivel Ring Hangers for Copper Tube**

Finish: Epoxy Plated  
 Color: Copper  
 MSS SP-58, Type 10  
 Federal Specification WW-H-171, Type 10



- A - Rod size (hanger rod not included)
- B - Center of pipe to top of knurled hanger rod nut
- C - Rod take out (center of pipe to bottom of hanger rod)
- D - Top of pipe to bottom of hanger rod nut

| Catalog Number | Pipe Size |        | A<br>(Rod Size) | B       |       | C       |       | D       |      |
|----------------|-----------|--------|-----------------|---------|-------|---------|-------|---------|------|
|                | in.       | mm     |                 | in.     | mm    | in.     | mm    | in.     | mm   |
| FNW7015EC0050  | 1/2       | 16.00  | 3/8-16UNC       | 2-1/4   | 57.2  | 13/16   | 20.6  | 15/16   | 23.8 |
| FNW7015EC0075  | 3/4       | 22.35  | 3/8-16UNC       | 2-1/2   | 63.5  | 1-3/32  | 27.8  | 1 3/16  | 30.2 |
| FNW7015EC0100  | 1         | 28.70  | 3/8-16UNC       | 2-17/32 | 64.3  | 1-1/8   | 28.6  | 1 5/32  | 29.4 |
| FNW7015EC0125  | 1-1/4     | 35.05  | 3/8-16UNC       | 2-1/2   | 63.5  | 1-3/32  | 27.8  | 31/32   | 24.6 |
| FNW7015EC0150  | 1-1/2     | 41.40  | 3/8-16UNC       | 2-27/32 | 72.2  | 1-7/16  | 36.5  | 1 3/16  | 30.2 |
| FNW7015EC0200  | 2         | 54.10  | 3/8-16UNC       | 2-27/32 | 72.2  | 1-13/32 | 35.7  | 29/32   | 23.0 |
| FNW7015EC0250  | 2-1/2     | 66.68  | 3/8-16UNC       | 3       | 76.2  | 1-19/32 | 40.5  | 27/32   | 21.4 |
| FNW7015EC0300  | 3         | 79.38  | 1/2-13UNC       | 3-15/16 | 100.0 | 2-13/32 | 61.1  | 1-13/32 | 35.7 |
| FNW7015EC0400  | 4         | 104.78 | 1/2-13UNC       | 4-3/4   | 120.7 | 3-7/32  | 81.8  | 1-3/4   | 44.5 |
| FNW7015EC0500  | 5         | 130.18 | 5/8-11UNC       | 5-25/32 | 146.8 | 4-3/16  | 106.4 | 2-1/4   | 57.2 |
| FNW7015EC0600  | 6         | 155.58 | 5/8-11UNC       | 6-3/16  | 157.2 | 4-5/8   | 117.5 | 2-5/32  | 54.8 |

| Catalog Number | Pipe Size |        | Design Load |      | Weight |
|----------------|-----------|--------|-------------|------|--------|
|                | in.       | mm     | Lbs.        | kN   | Lbs.   |
| FNW7015EC0050  | 1/2       | 16.00  | 300         | 1.33 | 0.09   |
| FNW7015EC0075  | 3/4       | 22.35  | 300         | 1.33 | 0.10   |
| FNW7015EC0100  | 1         | 28.70  | 300         | 1.33 | 0.10   |
| FNW7015EC0125  | 1-1/4     | 35.05  | 300         | 1.33 | 0.10   |
| FNW7015EC0150  | 1-1/2     | 41.40  | 300         | 1.33 | 0.11   |
| FNW7015EC0200  | 2         | 54.10  | 300         | 1.33 | 0.11   |
| FNW7015EC0250  | 2-1/2     | 66.68  | 525         | 2.34 | 0.13   |
| FNW7015EC0300  | 3         | 79.38  | 525         | 2.34 | 0.31   |
| FNW7015EC0400  | 4         | 104.78 | 650         | 2.89 | 0.38   |
| FNW7015EC0500  | 5         | 130.18 | 1000        | 4.45 | 0.53   |
| FNW7015EC0600  | 6         | 155.58 | 1000        | 4.45 | 0.78   |

|            |                           |
|------------|---------------------------|
| FNW701XRNC | 3/8 RIVET NUT F/ LOOP HGR |
| FNW701XRND | 1/2 RIVET NUT F/ LOOP HGR |
| FNW701XRNE | 5/8 RIVET NUT F/ LOOP HGR |