

# LAVATORY FAUCETS

- Grail® Series
- Single Handle Deck Mount
- 1 or 3 Hole Sink Applications

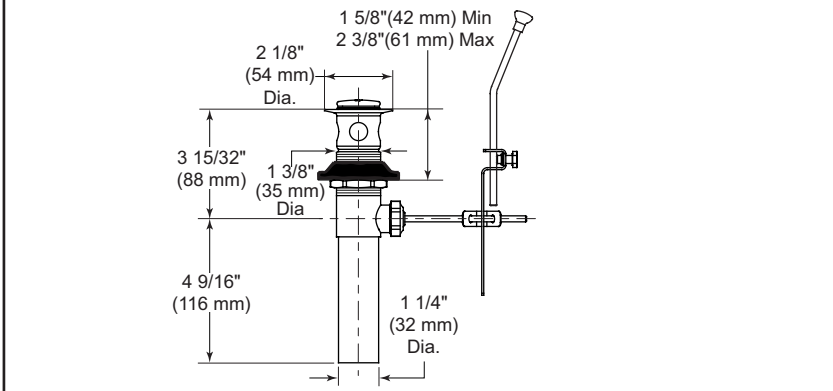
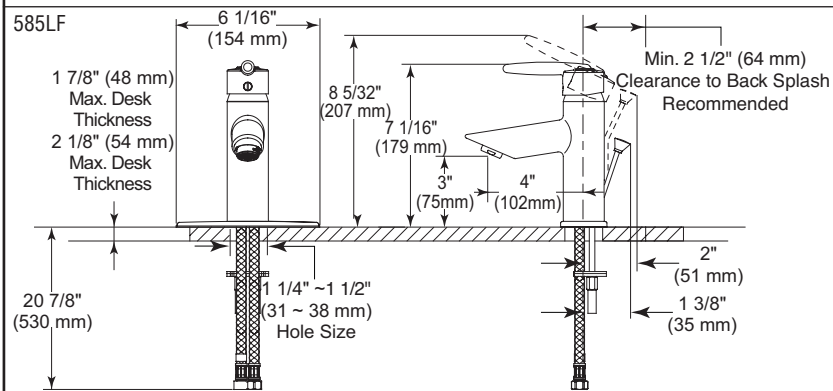
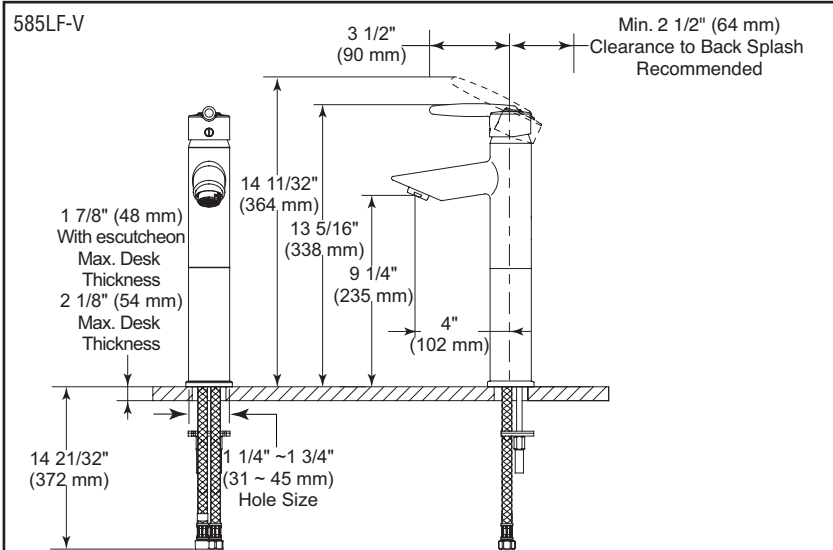
Submitted Model No.: \_\_\_\_\_  
 Specific Features: \_\_\_\_\_

## STANDARD SPECIFICATIONS

- Ceramic cartridge with high temperature rotational limit stop.
- 1 or 3 hole installation.
- 3 hole escutcheon is included.
- 3 1/2" (90 mm) long reach on spout.
- Maximum 2 1/4" (54 mm) deck thickness.
- Color coded plug button on handle for hot/cold identification.
- Handle 3 1/2" (90 mm) lever handle - ADA compliant - color indexed.
- Maximum flow rate 1.5 gpm @ 60 PSI.
- Models with suffix "MPU" have metal drain with pop-up type fitting with plated flange and stopper.
- Models with suffix "LPU" or "V" do not include drain pop-up.

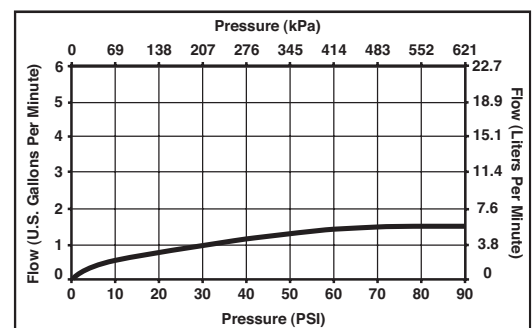
## WARRANTY

- Lifetime Faucet and Finish Limited Warranty to the Original consumer purchaser to be free from defects in material and workmanship.
- 5 Year Limited Warranty for usage in all Industrial, Commercial and business applications.



## COMPLIES WITH

- ASME A112.18.1 / CSA B125.1
- ASME A112.18.2 / CSA B125.2
- Indicates compliance to ICC / ANSI A117.1
- EPA WaterSense
- CSA Certified
- Verified compliant with 0.25% weighted average Pb content regulations.



55 E. 111th Street, Indianapolis, Indiana 46280  
 350 Sou Edgeware Road, St. Thomas, ON N5P 4L1  
 © 2011 Masco Corporation of Indiana

▲ Designate proper finish suffix

Delta reserves the right (1) to make changes in specifications and materials, and (2) to change or discontinue models, both without notice or obligation. Dimensions are for reference only. See full-line price book or www.specselect.com for finish options and product availability.